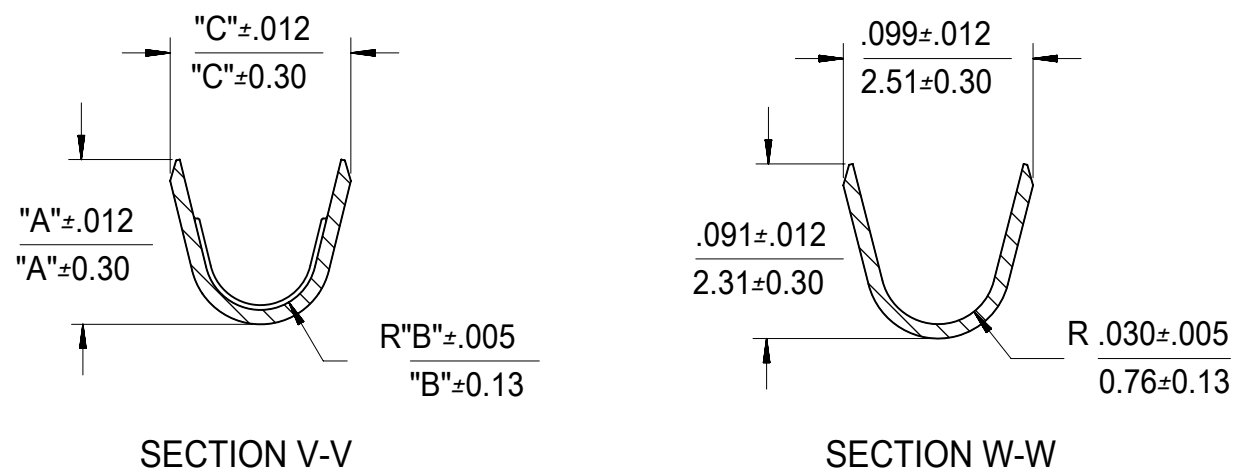
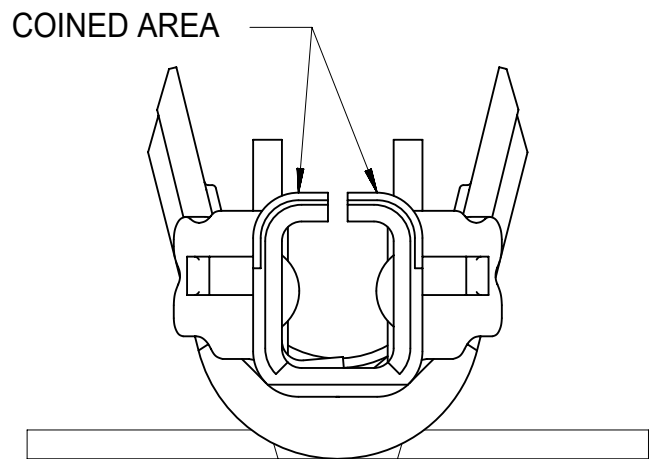
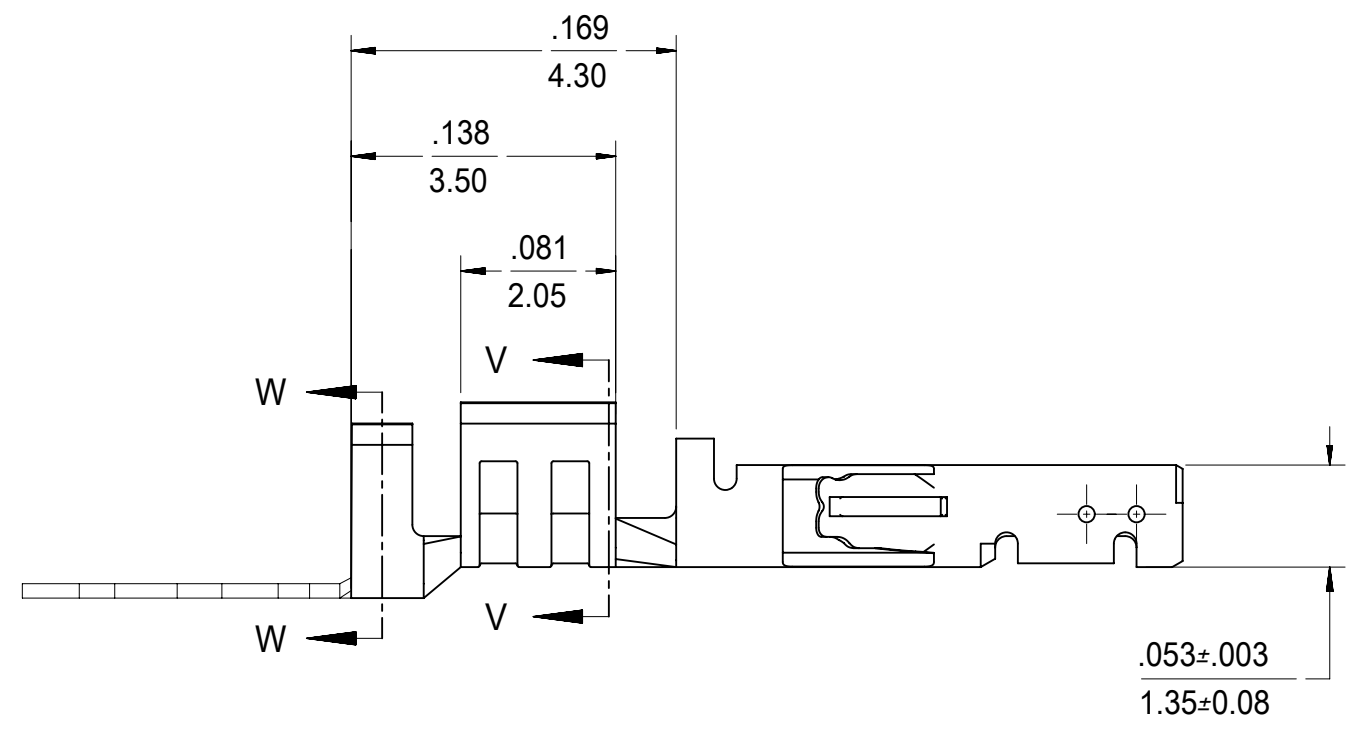
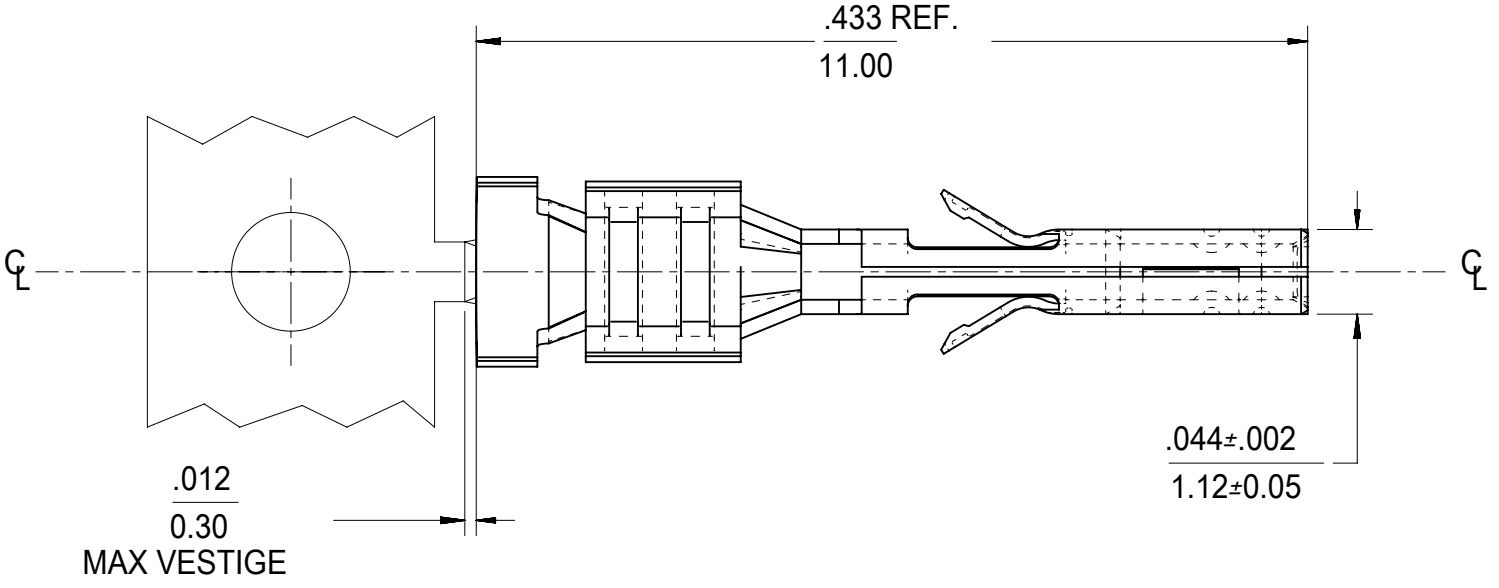


MATERIAL NUMBER	PLATING	WIRE SIZE	FORM	MAX INSULATION OUTSIDE DIA.	"A"	"B"	"C"
45807-0003	A	18 SEE NOTE 9	CHAIN	$\frac{.073}{1.85}$	$\frac{.086}{2.18}$	$\frac{.029}{0.74}$	$\frac{.094}{2.39}$
45807-0004	A	20	CHAIN	$\frac{.073}{1.85}$	$\frac{.075}{1.91}$	$\frac{.025}{0.64}$	$\frac{.082}{2.08}$



NOTES

- 1) MATERIAL: HSM COPPER
- 2) TERMINAL PLATING:
"A" - .000100/0.00254 MIN BRIGHT TIN OVER
.000050/0.00127 MIN NICKEL PLATE
- 3) PRODUCT SPECIFICATION: PS-45807-001
- 4) PACKAGING SPECIFICATION: PK-45807-001 (REEL)
- 5) TERMINAL FOR USE IN A MICRO FIT RECEPTACLE 43025-****, 43645-****, AND 44133-****.
- 6) FOR TERMINAL ORIENTATION IN RECEPTACLE SEE DRAWING SDA-43025-****, SDA-43645-****, OR AS-44133-001.
- 7) THIS TERMINAL IS DESIGNED IN METRIC.
- 8) MOLEX RECOMMENDS THE USE OF MICRO-FIT TEST PLUG (SERIES 44242) WHENEVER CONTINUITY TESTING IS PERFORMED. TEST PLUGS MUST NOT BE USED TO MAKE OR BREAK UNDER LOAD. MOLEX DOES NOT RECOMMEND USING STANDARD MATING COMPONENTS (SERIES 43020, 43045, 43640, 43650, OR 43031) FOR HARNESS TESTING PURPOSES.
- 9) PART NUMBER 45807-0003 IS DESIGNED FOR 18 AWG 1061 STYLE WIRE OR A .073/1.85 MAXIMUM INSULATION OUTSIDE DIAMETER.



(SCALE 20:1)

SYMBOLS DIMENSION UNITS SCALE CURRENT REV DESC: REVISED TITLE	∇ = 0 ∇ = 0 ∇ = 0 ∇ = 0 ∇ = 0 ∇ = 0 ∇ = 0 ∇ = 0 ∇ = 0	IN/MM 10:1 GENERAL TOLERANCES (UNLESS SPECIFIED)	molex MICRO-FIT HIGH CURRENT (3.0) FEMALE CRIMP TERMINAL PRODUCT CUSTOMER DRAWING				
	4 PLACES ± ± 3 PLACES ± ± 0.01 2 PLACES ± 0.25 ± 0.014 1 PLACE ± 0.35 ± 0 PLACES ± ±	EC NO: 616651 DRWN: JBAUMERT 2019/05/03 CHK'D: MKIPPER 2019/05/23 APPR: FSMITH 2019/05/28		DOCUMENT NUMBER SD-45807-001	DOC TYPE PSD	DOC PART 001	REVISION A
	ANGULAR TOL ± 0.5 ° DRAFT WHERE APPLICABLE MUST REMAIN WITHIN DIMENSIONS	INITIAL REVISION: DRWN: NNGUYEN 2015/07/13 APPR: FSMITH 2016/06/08		MATERIAL NUMBER SEE CHART	CUSTOMER GENERAL MARKET	SHEET NUMBER 1 OF 1	
	THIRD ANGLE PROJECTION 	DRAWING C-SIZE		SERIES 45807	MATERIAL NUMBER SEE CHART	CUSTOMER GENERAL MARKET	SHEET NUMBER 1 OF 1

Mouser Electronics

Authorized Distributor

Click to View Pricing, Inventory, Delivery & Lifecycle Information:

[Molex:](#)

[45807-0003](#)