

4

3

2

1

THIS DRAWING IS UNPUBLISHED.

RELEASED FOR PUBLICATION

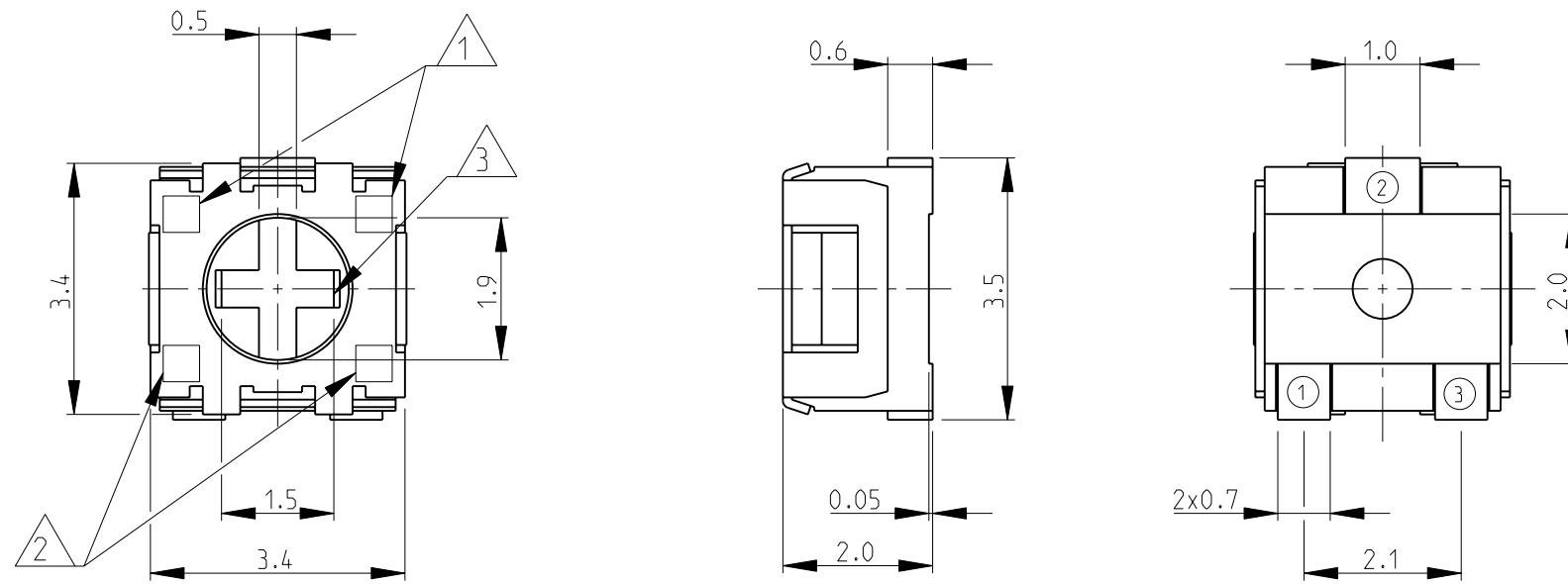
2008

© COPYRIGHT 2008 BY -

ALL RIGHTS RESERVED.

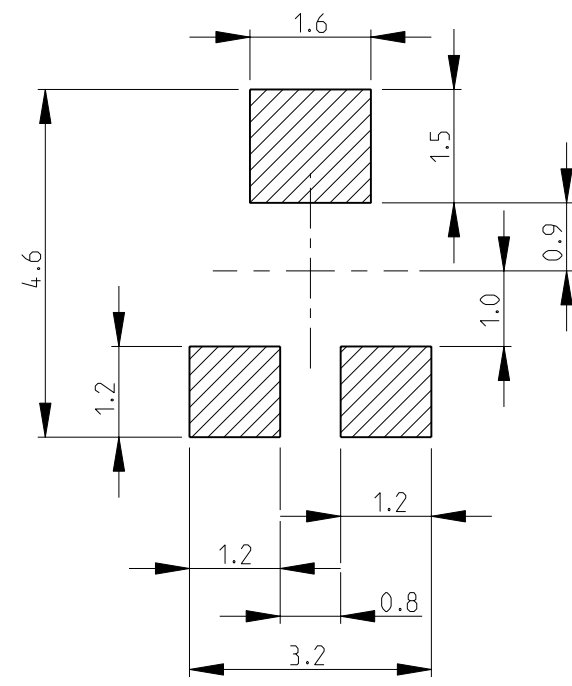
LOC	DIST	REVISIONS			
P	LTR	DESCRIPTION	DATE	DWN	APVD
E	B	BA1	REVISED PER ECO-11-005150	29MAR2011	RK HMR

- 1 DATE CODE
- 2 RESISTANCE CODE 2 DIGITS
- 3 CROSS SLOT FOR "0" BIT DRIVER, DEPTH: 0.45mm
- 4 FOR FURTHER INFORMATION SEE DATA SHEET FOR 3203 SERIES-SMD TRIMMERS

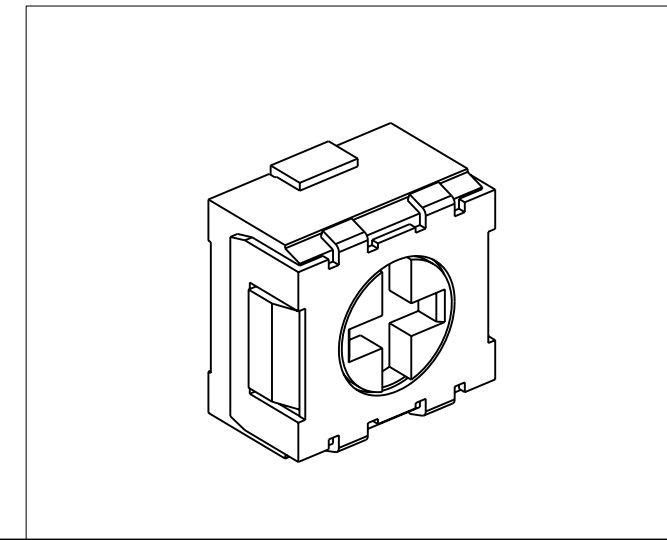
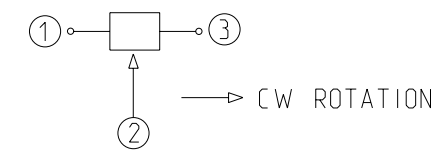



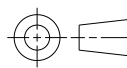
RoHS Compliant

RECOMMENDED LAND PATTERN



CIRCUIT DIAGRAM



THIS DRAWING IS A CONTROLLED DOCUMENT.		DWN	SUBHASH.M	12-NOV-08	 TE Connectivity	NAME		SMD TRIMMERS SERIES 3203							
DIMENSIONS: mm		CHK	PRAKASH.S	12-NOV-08		PRODUCT SPEC		SIZE	CAGE CODE	DRAWING NO	RESTRICTED TO				
		APVD	STEPHEN.P	12-NOV-08		APPLICATION SPEC		A3	00779	1623916	-				
TOLERANCES UNLESS OTHERWISE SPECIFIED:		MATERIAL		FINISH		WEIGHT		CUSTOMER DRAWING		SCALE	10:1	SHEET	1 OF 1	REV	BA1
0 PLC	± 0.2														
1 PLC	± 0.1														
2 PLC	± -														
3 PLC	± -														
4 PLC	± -														
ANGLES	± 5°														

Mouser Electronics

Authorized Distributor

Click to View Pricing, Inventory, Delivery & Lifecycle Information:

[TE Connectivity:](#)

[3203X103P](#)