

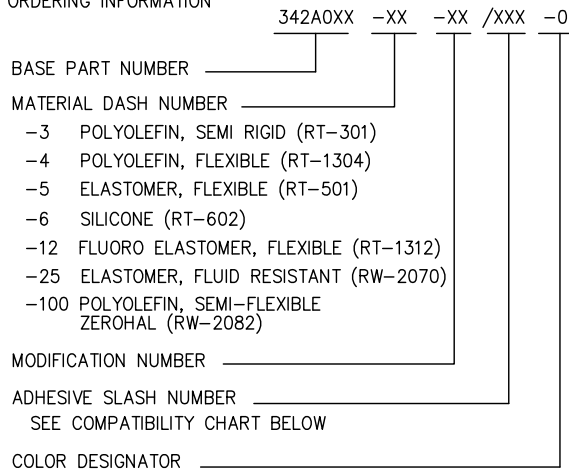
NOTES:

- ALL DIMENSIONS ARE IN $\frac{\text{INCHES}}{\text{MILLIMETERS}}$
- DIMENSIONS APPEARING IN TABLE ARE AS FOLLOWS:
 - a - AS SUPPLIED
 - b - AFTER UNRESTRICTED RECOVERY

3. COATING (ADHESIVE) IS OPTIONAL. AS SUPPLIED DIMENSIONS APPEARING IN TABLE ARE FOR UNCOATED PARTS. WHEN COATING IS ADDED, ENTRY DIAMETER WILL BE REDUCED BY .06 [1.5] MAX. COATING DIMENSIONS CH & CJ WILL BE .50 [12.7] MIN AND CK WILL BE .12 [3.0] MIN.

4. MOLDING PORTS ARE OPTIONAL. WHEN -00 MODIFICATION NUMBER IS SPECIFIED, MOLDING PORTS WILL BE LOCATED AS SHOWN.

5. ORDERING INFORMATION



- 3 POLYOLEFIN, SEMI RIGID (RT-301)
- 4 POLYOLEFIN, FLEXIBLE (RT-1304)
- 5 ELASTOMER, FLEXIBLE (RT-501)
- 6 SILICONE (RT-602)
- 12 FLUORO ELASTOMER, FLEXIBLE (RT-1312)
- 25 ELASTOMER, FLUID RESISTANT (RW-2070)
- 100 POLYOLEFIN, SEMI-FLEXIBLE ZEROHAL (RW-2082)

SEE COMPATIBILITY CHART BELOW

COMPATIBILITY CHART

MATERIAL DASH NO.	ADHESIVE (COATING) SLASH NUMBER	ADHESIVE (COATING) S NUMBER
-3	/42; /86; /180	S-1017; S-1048; S-1030
-4	/42; /86;	S-1017; S-1048;
-5	/42;	S-1017;
-6	N/A	N/A
-12	N/A	N/A
-25	/42; /86; /225	S-1017; S-1048; S-1206
-100	/86; /180	S-1048; S-1030

REVISIONS		
LTR	DESCRIPTION	DATE
N	REVISED PER ECO-13-011740	7/11/13

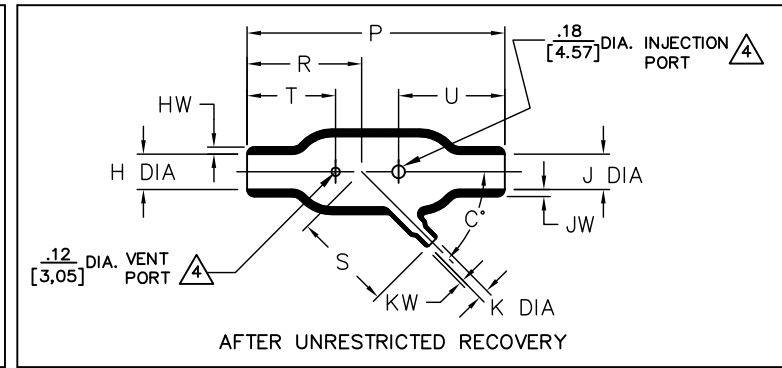
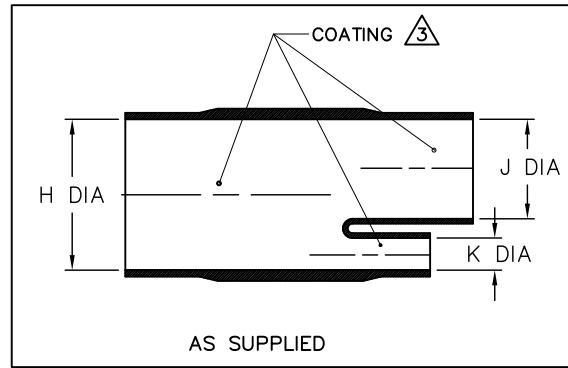


TABLE OF DIMENSIONS

PART DESCRIPTION	H & J		K		P	R	S	T	U	HW & JW	KW	C°	WEIGHT
	MIN	MAX	MIN	MAX	±10%	±10%	±10%	±10%	±10%	±20%	±20%	±5°	REF
	a	b	a	b	b	b	b	b	b	b	b	b	b
342A012	.52 [13,2]	.27 [6,9]	.26 [6,6]	.14 [3,6]	1.94 [49,3]	.90 [22,9]	.92 [23,4]	.77 [19,6]	.77 [19,6]	.06 [1,52]	.04 [1,02]	45°	.006 [2,72]
342A024	1.06 [26,9]	.50 [12,7]	.26 [6,6]	.14 [3,6]	3.64 [92,5]	1.62 [41,1]	1.41 [35,8]	1.25 [31,8]	1.56 [39,6]	.10 [2,54]	.04 [1,02]	45°	.036 [16,33]
342A034	1.06 [26,9]	.54 [13,7]	.52 [13,2]	.24 [6,1]	5.70 [144,8]	2.75 [69,9]	2.11 [53,6]	2.00 [50,8]	2.00 [50,8]	.10 [2,54]	.06 [1,52]	45°	.055 [24,95]
342A048	2.19 [55,6]	1.06 [26,9]	.52 [13,2]	.27 [6,9]	7.28 [184,9]	3.28 [83,3]	2.83 [71,9]	2.50 [63,5]	2.50 [63,5]	.18 [4,57]	.06 [1,52]	45°	.274 [124,28]
342A058	2.19 [55,6]	1.06 [26,9]	1.06 [26,9]	.54 [13,7]	8.01 [203,5]	3.76 [95,5]	3.66 [93,0]	2.60 [66,0]	2.60 [66,0]	.18 [4,57]	.10 [2,54]	45°	.328 [148,78]

IF THIS DOCUMENT IS PRINTED IT BECOMES UNCONTROLLED. CHECK FOR THE LATEST REVISION.

Raychem Molded Parts
CUSTOMER DRAWING

UNLESS OTHERWISE SPECIFIED DIMENSIONS ARE INCHES. METRIC DIMENSIONS ARE IN BRACKETS.
DECIMAL TOLERANCES
.XXX ± 0.005 [0.13 mm]
.XX ± 0.01 [0.25 mm]
.X ± 0.1 [0.50 mm]
ANGLE TOLERANCE
.X ± 1 DEG.

DRAWN
UNGUYEN
APPROVED
DHURRELL
THIRD ANGLE PROJECTION



TE Connectivity

TITLE TRANSITION, 45DEG		
SIZE B	CODE IDENT. NO. 06090	DWG. NO. 342A012thru058

Mouser Electronics

Authorized Distributor

Click to View Pricing, Inventory, Delivery & Lifecycle Information:

[TE Connectivity:](#)

[342A012-3/42-0](#)