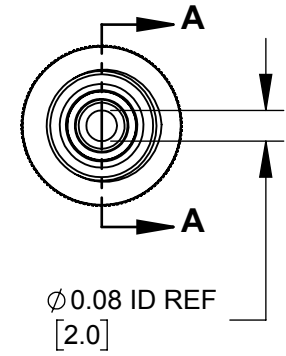
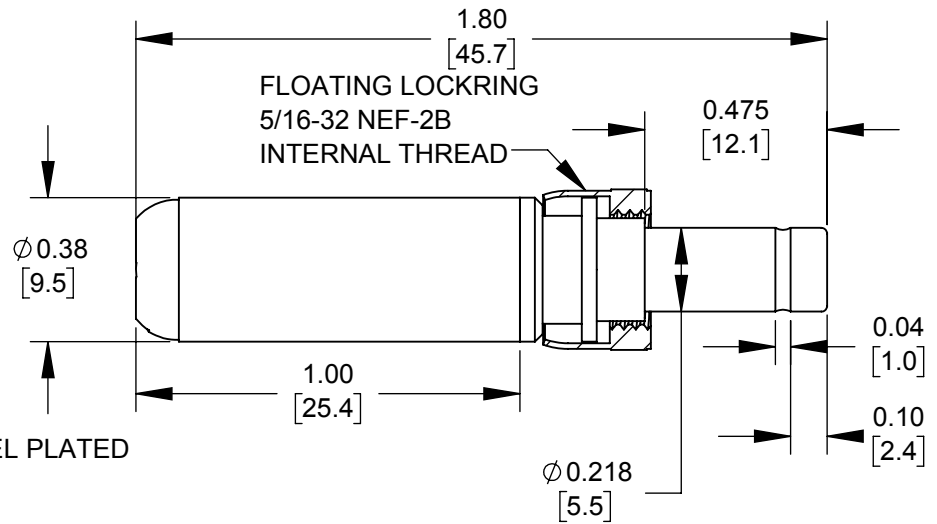
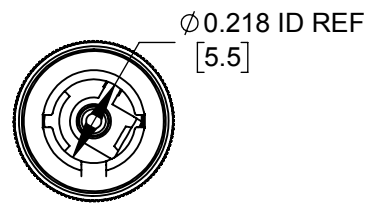


PART NUMBER	HANDLE COLOR
S761KHZ	BLACK
S766KHZ	RED



NOTES:
 1. MATERIALS
 CONDUCTORS & LOCKRING - BRASS, NICKEL PLATED
 TERMINALS - BRASS, TIN PLATED
 INSULATORS & HANDLE - THERMOPLASTIC

2. THIS PRODUCT IS RoHS COMPLIANT

CUSTOMER DRAWING

THIS DRAWING DESCRIBES A DESIGN CONSIDERED PROPRIETARY IN NATURE, DEVELOPED AND MANUFACTURED BY SWITCHCRAFT INC. AND IS RELEASED ON A CONFIDENTIAL BASIS FOR IDENTIFICATION PURPOSES ONLY.

UNLESS OTHERWISE SPECIFIED

- 1. ALL DIMENSIONS IN INCHES [mm]
- TWO PLACE DECIMALS ±0.02 [0.5]
- THREE PLACE DECIMALS ±0.005 [0.13]

SIZE *	WIDTH *	MULT *	LBS/M *	TEMPER *
FINISH *			MATERIAL *	
SPEC No. *			SPEC No. *	
FIRST USED ON *		SCALE 2:1		
DATE DRAWN	BY	CHKD	APVD	
11/06/19	AM	*	*	
NAME			PART No.	
Ø 0.08[2.0]mm X 0.475 LONG			S761KHZ-S766KHZ	
IMPRVD HT PWR PLUG W/LOCKRING, RoHS			REV 0A	

Switchcraft®

SHEET 1 OF 1

REV	ECO NUMBER	DATE	BY	APVD
*	*	*	*	*
REVISIONS				

DO NOT SCALE DRAWING

SolidWorks CAD File



Mouser Electronics

Authorized Distributor

Click to View Pricing, Inventory, Delivery & Lifecycle Information:

[Switchcraft:](#)

[S761KHZ](#)