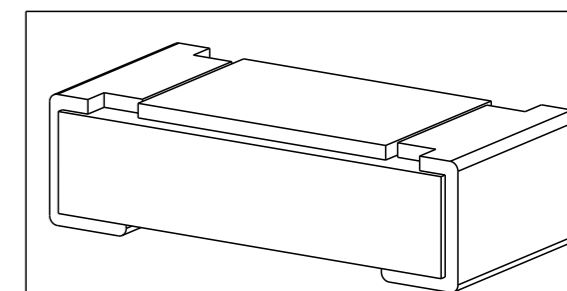
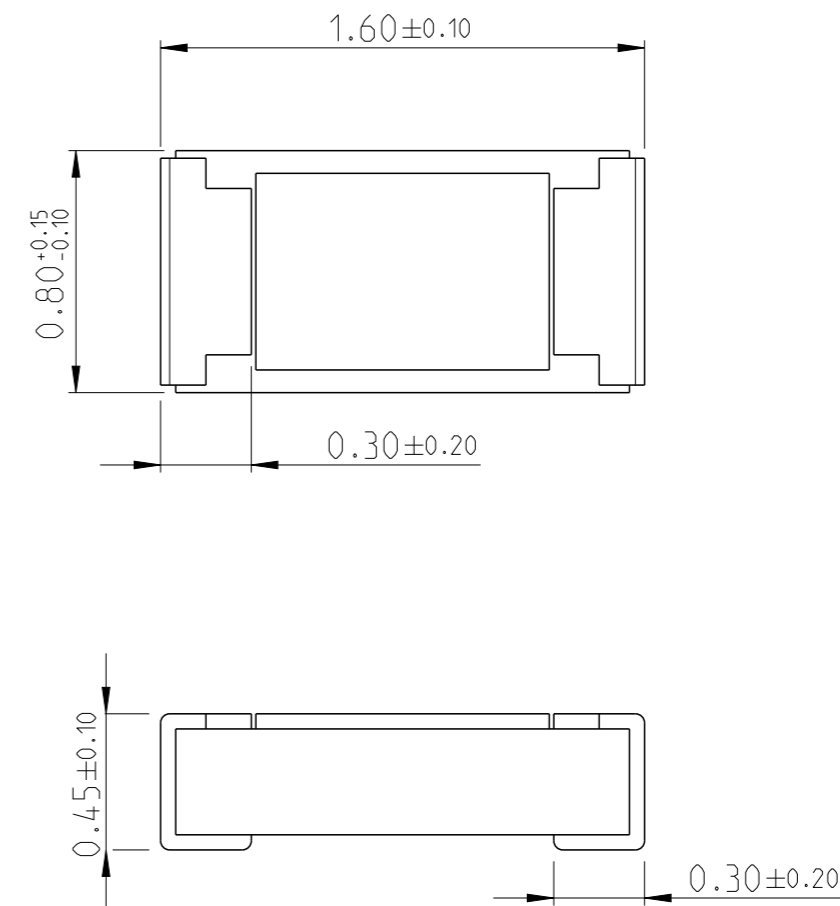


KIT CONTENTS

VALUE	PRODUCT NUMBER	TCPN	DESCRIPTION	QUANTITY
10R	CRGH0603F10R	1879503-1	CRGH0603 1% 10R 0.2W	100
11R	CRGH0603F11R	1879503-5	CRGH0603 1% 11R 0.2W	100
12R	CRGH0603F12R	8-1879507-6	CRGH0603 1% 12R 0.2W	100
13R	CRGH0603F13R	1-1879503-2	CRGH0603 1% 13R 0.2W	100
15R	CRGH0603F15R	1-1879503-8	CRGH0603 1% 15R 0.2W	100
16R	CRGH0603F16R	2176435-1	CRGH0603 1% 16R 0.2W	100
18R	CRGH0603F18R	8-1879507-8	CRGH0603 1% 18R 0.2W	100
20R	CRGH0603F20R	3-1879503-0	CRGH0603 1% 20R 0.2W	100
22R	CRGH0603F22R	8-1879507-9	CRGH0603 1% 22R 0.2W	100
24R	CRGH0603F24R	2176435-2	CRGH0603 1% 24R 0.2W	100
27R	CRGH0603F27R	9-1879507-0	CRGH0603 1% 27R 0.2W	100
30R	CRGH0603F30R	2176435-3	CRGH0603 1% 30R 0.2W	100
33R	CRGH0603F33R	9-1879507-1	CRGH0603 1% 33R 0.2W	100
36R	CRGH0603F36R	2176435-4	CRGH0603 1% 36R 0.2W	100
39R	CRGH0603F39R	9-1879507-2	CRGH0603 1% 39R 0.2W	100
43R	CRGH0603F43R	2176435-5	CRGH0603 1% 43R 0.2W	100
47R	CRGH0603F47R	9-1879507-3	CRGH0603 1% 47R 0.2W	100
51R	CRGH0603F51R	2176435-6	CRGH0603 1% 51R 0.2W	100
56R	CRGH0603F56R	9-1879507-4	CRGH0603 1% 56R 0.2W	100
62R	CRGH0603F62R	2176435-7	CRGH0603 1% 62R 0.2W	100
68R	CRGH0603F68R	9-1879507-5	CRGH0603 1% 68R 0.2W	100
75R	CRGH0603F75R	9-1879507-6	CRGH0603 1% 75R 0.2W	100
82R	CRGH0603F82R	9-1879507-7	CRGH0603 1% 82R 0.2W	100
91R	CRGH0603F91R	2176435-8	CRGH0603 1% 91R 0.2W	100
100R	CRGH0603F100R	9-1879507-8	CRGH0603 1% 100R 0.2W	100
110R	CRGH0603F110R	1879504-2	CRGH0603 1% 110R 0.2W	100
120R	CRGH0603F120R	9-1879507-9	CRGH0603 1% 120R 0.2W	100
130R	CRGH0603F130R	1879504-9	CRGH0603 1% 130R 0.2W	100

REVISIONS

P	LTR	DESCRIPTION	DATE	DWN	APVD
	BA	INITIAL RELEASE	25SEP2019	SR	AP



THIS DRAWING IS A CONTROLLED DOCUMENT.

DWN SUPREETH R 25SEP2019

CHK ALLAN P 25SEP2019

APVD -

PRODUCT SPEC -

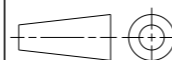
APPLICATION SPEC -

WEIGHT -

CUSTOMER DRAWING

DIMENSIONS:
mm

TOLERANCES UNLESS OTHERWISE SPECIFIED:



- 0 PLC ±
- 1 PLC ±
- 2 PLC ±
- 3 PLC ±
- 4 PLC ±
- ANGLES ±
- FINISH -

MATERIAL -



NAME CRGH 0603 1% 10R-1M0 LAB-KIT

SIZE CAGE CODE DRAWING NO RESTRICTED TO

A3 00779 C-2176439-2

SCALE 40:1 SHEET 1 OF 3 REV BA

© 2019 TE Connectivity. All Rights Reserved.

KIT CONTENTS

VALUE	PRODUCT NUMBER	TCPN	DESCRIPTION	QUANTITY
150R	CRGH0603F150R	1-1879504-5	CRGH0603 1% 150R 0.2W	100
160R	CRGH0603F160R	2176435-9	CRGH0603 1% 160R 0.2W	100
180R	CRGH0603F180R	2176177-2	CRGH0603 1% 180R 0.2W	100
200R	CRGH0603F200R	2-1879504-7	CRGH0603 1% 200R 0.2W	100
220R	CRGH0603F220R	2176177-3	CRGH0603 1% 220R 0.2W	100
240R	CRGH0603F240R	1-2176435-0	CRGH0603 1% 240R 0.2W	100
270R	CRGH0603F270R	2176177-4	CRGH0603 1% 270R 0.2W	100
300R	CRGH0603F300R	1-2176435-1	CRGH0603 1% 300R 0.2W	100
330R	CRGH0603F330R	2176177-5	CRGH0603 1% 330R 0.2W	100
360R	CRGH0603F360R	1-2176435-2	CRGH0603 1% 360R 0.2W	100
390R	CRGH0603F390R	2176177-6	CRGH0603 1% 390R 0.2W	100
430R	CRGH0603F430R	1-2176435-3	CRGH0603 1% 430R 0.2W	100
470R	CRGH0603F470R	2176177-7	CRGH0603 1% 470R 0.2W	100
510R	CRGH0603F510R	1-2176435-4	CRGH0603 1% 510R 0.2W	100
560R	CRGH0603F560R	2176177-8	CRGH0603 1% 560R 0.2W	100
620R	CRGH0603F620R	1-2176435-5	CRGH0603 1% 620R 0.2W	100
680R	CRGH0603F680R	2176177-9	CRGH0603 1% 680R 0.2W	100
750R	CRGH0603F750R	8-1879504-2	CRGH0603 1% 750R 0.2W	100
820R	CRGH0603F820R	1-2176177-0	CRGH0603 1% 820R 0.2W	100
910R	CRGH0603F910R	1-2176435-6	CRGH0603 1% 910R 0.2W	100
1K0	CRGH0603F1K0	9-1879504-4	CRGH0603 1% 1K0 0.2W	100
1K1	CRGH0603F1K1	9-1879504-8	CRGH0603 1% 1K1 0.2W	100
1K2	CRGH0603F1K2	1-2176177-2	CRGH0603 1% 1K2 0.2W	100
1K3	CRGH0603F1K3	1879505-6	CRGH0603 1% 1K3 0.2W	100
1K5	CRGH0603F1K5	1-1879505-2	CRGH0603 1% 1K5 0.2W	100
1K6	CRGH0603F1K6	1-2176435-7	CRGH0603 1% 1K6 0.2W	100
1K8	CRGH0603F1K8	1-2176177-4	CRGH0603 1% 1K8 0.2W	100
2K0	CRGH0603F2K0	2-1879505-4	CRGH0603 1% 2K0 0.2W	100
2K2	CRGH0603F2K2	1-2176177-5	CRGH0603 1% 2K2 0.2W	100

REVISIONS					
P	LTR	DESCRIPTION	DATE	DWN	APVD
-	-	SEE SHEET 1	-	-	-

VALUE	PRODUCT NUMBER	TCPN	DESCRIPTION	QUANTITY
2K4	CRGH0603F2K4	1-2176435-8	CRGH0603 1% 2K4 0.2W	100
2K7	CRGH0603F2K7	1-2176177-6	CRGH0603 1% 2K7 0.2W	100
3K3	CRGH0603F3K3	1-2176177-7	CRGH0603 1% 3K3 0.2W	100
3K3	CRGH0603F3K3	1-2176177-7	CRGH0603 1% 3K3 0.2W	100
3K6	CRGH0603F3K6	1-2176435-9	CRGH0603 1% 3K6 0.2W	100
3K9	CRGH0603F3K9	1-2176177-8	CRGH0603 1% 3K9 0.2W	100
4K3	CRGH0603F4K3	2-2176435-0	CRGH0603 1% 4K3 0.2W	100
4K7	CRGH0603F4K7	1-2176177-9	CRGH0603 1% 4K7 0.2W	100
5K1	CRGH0603F5K1	2-2176435-1	CRGH0603 1% 5K1 0.2W	100
5K6	CRGH0603F5K6	2-2176177-0	CRGH0603 1% 5K6 0.2W	100
6K2	CRGH0603F6K2	2-2176435-2	CRGH0603 1% 6K2 0.2W	100
6K8	CRGH0603F6K8	2-2176177-1	CRGH0603 1% 6K8 0.2W	100
7K5	CRGH0603F7K5	7-1879505-9	CRGH0603 1% 7K5 0.2W	100
8K2	CRGH0603F8K2	2-2176177-2	CRGH0603 1% 8K2 0.2W	100
9K1	CRGH0603F9K1	2-2176435-3	CRGH0603 1% 9K1 0.2W	100
10K	CRGH0603F10K	9-1879505-1	CRGH0603 1% 10K 0.2W	100
11K	CRGH0603F11K	9-1879505-5	CRGH0603 1% 11K 0.2W	100
12K	CRGH0603F12K	2-2176177-4	CRGH0603 1% 12K 0.2W	100
13K	CRGH0603F13K	1879506-3	CRGH0603 1% 13K 0.2W	100
15K	CRGH0603F15K	1879506-9	CRGH0603 1% 15K 0.2W	100
16K	CRGH0603F16K	2-2176435-4	CRGH0603 1% 16K 0.2W	100
18K	CRGH0603F18K	2-2176177-6	CRGH0603 1% 18K 0.2W	100
20K	CRGH0603F20K	2-1879506-1	CRGH0603 1% 20K 0.2W	100
22K	CRGH0603F22K	2-2176177-7	CRGH0603 1% 22K 0.2W	100

THIS DRAWING IS A CONTROLLED DOCUMENT.

DWN SUPREETH R 25SEP2019

CHK ALLAN P 25SEP2019

APVD -

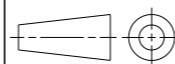
PRODUCT SPEC -

APPLICATION SPEC -

WEIGHT -

CUSTOMER DRAWING

DIMENSIONS:
mm



TOLERANCES UNLESS OTHERWISE SPECIFIED:

- 0 PLC ±
- 1 PLC ±
- 2 PLC ±
- 3 PLC ±
- 4 PLC ±
- ANGLES ±

MATERIAL -

FINISH -



TE Connectivity

NAME CRGH 0603 1% 10R-1M0 LAB-KIT

SIZE CAGE CODE DRAWING NO RESTRICTED TO

A3 00779 C=2176439-2

SCALE 40:1 SHEET 2 OF 3 REV BA

KIT CONTENTS

VALUE	PRODUCT NUMBER	TCPN	DESCRIPTION	QUANTITY
24K	CRGH0603F24K	2-2176435-5	CRGH0603 1% 24K 0.2W	100
27K	CRGH0603F27K	2-2176177-8	CRGH0603 1% 27K 0.2W	100
30K	CRGH0603F30K	2-2176435-6	CRGH0603 1% 30K 0.2W	100
33K	CRGH0603F33K	2-2176177-9	CRGH0603 1% 33K 0.2W	100
36K	CRGH0603F36K	2-2176435-7	CRGH0603 1% 36K 0.2W	100
39K	CRGH0603F39K	3-2176177-0	CRGH0603 1% 39K 0.2W	100
43K	CRGH0603F43K	2-2176435-8	CRGH0603 1% 43K 0.2W	100
47K	CRGH0603F47K	3-2176177-1	CRGH0603 1% 47K 0.2W	100
51K	CRGH0603F51K	2-2176435-9	CRGH0603 1% 51K 0.2W	100
56K	CRGH0603F56K	3-2176177-2	CRGH0603 1% 56K 0.2W	100
62K	CRGH0603F62K	3-2176435-0	CRGH0603 1% 62K 0.2W	100
68K	CRGH0603F68K	3-2176177-3	CRGH0603 1% 68K 0.2W	100
75K	CRGH0603F75K	7-1879506-6	CRGH0603 1% 75K 0.2W	100
82K	CRGH0603F82K	3-2176177-4	CRGH0603 1% 82K 0.2W	100
91K	CRGH0603F91K	3-2176435-1	CRGH0603 1% 91K 0.2W	100
100K	CRGH0603F100K	8-1879506-8	CRGH0603 1% 100K 0.2W	100
110K	CRGH0603F110K	9-1879506-2	CRGH0603 1% 110K 0.2W	100
120K	CRGH0603F120K	3-2176177-6	CRGH0603 1% 120K 0.2W	100
130K	CRGH0603F130K	9-1879506-9	CRGH0603 1% 130K 0.2W	100
150K	CRGH0603F150K	1879507-6	CRGH0603 1% 150K 0.2W	100
160K	CRGH0603F160K	3-2176435-2	CRGH0603 1% 160K 0.2W	100
180K	CRGH0603F180K	3-2176177-8	CRGH0603 1% 180K 0.2W	100
200K	CRGH0603F200K	1-1879507-8	CRGH0603 1% 200K 0.2W	100
220K	CRGH0603F220K	3-2176177-9	CRGH0603 1% 220K 0.2W	100
240K	CRGH0603F240K	3-2176435-3	CRGH0603 1% 240K 0.2W	100
270K	CRGH0603F270K	4-2176177-0	CRGH0603 1% 270K 0.2W	100
300K	CRGH0603F300K	3-2176435-4	CRGH0603 1% 300K 0.2W	100
330K	CRGH0603F330K	4-2176177-1	CRGH0603 1% 330K 0.2W	100
360K	CRGH0603F360K	3-2176435-5	CRGH0603 1% 360K 0.2W	100

REVISIONS

P	LTR	DESCRIPTION	DATE	DWN	APVD
-	-	SEE SHEET 1	-	-	-

VALUE	PRODUCT NUMBER	TCPN	DESCRIPTION	QUANTITY
390K	CRGH0603F390K	4-2176177-2	CRGH0603 1% 390K 0.2W	100
430K	CRGH0603F430K	3-2176435-6	CRGH0603 1% 430K 0.2W	100
470K	CRGH0603F470K	4-2176177-3	CRGH0603 1% 470K 0.2W	100
510K	CRGH0603F510K	3-2176435-7	CRGH0603 1% 510K 0.2W	100
560K	CRGH0603F560K	4-2176177-4	CRGH0603 1% 560K 0.2W	100
620K	CRGH0603F620K	3-2176435-8	CRGH0603 1% 620K 0.2W	100
680K	CRGH0603F680K	4-2176177-5	CRGH0603 1% 680K 0.2W	100
750K	CRGH0603F750K	7-1879507-3	CRGH0603 1% 750K 0.2W	100
820K	CRGH0603F820K	4-2176177-6	CRGH0603 1% 820K 0.2W	100
910K	CRGH0603F910K	3-2176435-9	CRGH0603 1% 910K 0.2W	100
1M0	CRGH0603F1M0	8-1879507-5	CRGH0603 1% 1M0 0.2W	100

THIS DRAWING IS A CONTROLLED DOCUMENT.

DWN SUPREETH R 25SEP2019

CHK ALLAN P 25SEP2019

APVD -

PRODUCT SPEC -

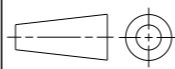
APPLICATION SPEC -

WEIGHT -

CUSTOMER DRAWING

DIMENSIONS:

mm



TOLERANCES UNLESS OTHERWISE SPECIFIED:

- 0 PLC ±
- 1 PLC ±
- 2 PLC ±
- 3 PLC ±
- 4 PLC ±
- ANGLES ±
- FINISH -

MATERIAL -

-



TE Connectivity

NAME CRGH 0603 1% 10R-1M0 LAB-KIT

SIZE A3 CAGE CODE 00779 DRAWING NO C-2176439-2 RESTRICTED TO -

SCALE 40:1 SHEET 3 OF 3 REV BA