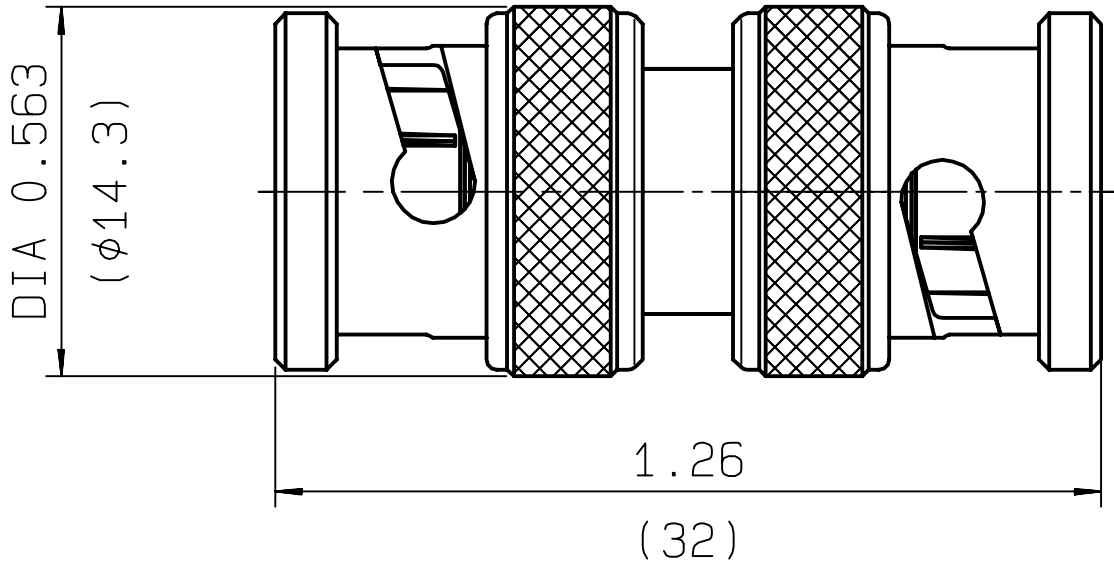


**MALE-MALE ADAPTOR**

**R141.703.000**  
**SERIES BNC**



|                                 |                                  |
|---------------------------------|----------------------------------|
| NOMINAL IMPEDANCE               | <b>50</b> Ω                      |
| FREQUENCY RANGE                 | <b>0-4</b> GHz                   |
| TEMPERATURE RATING              | <b>-65/+165</b> °C               |
| V.S.W.R                         | <b>1.25</b> + x F(GHz)Maxi       |
| RF INSERTION LOSS               | <b>0.115</b> √F(GHz) dB Maxi     |
| VOLTAGE RATING                  | <b>500</b> Veff Maxi             |
| DIELECTRIC WITHSTANDING VOLTAGE | <b>1500</b> Veff Mini            |
| INSULATION RESISTANCE           | <b>5000</b> MΩMini               |
| HERMETIC SEAL                   | <b>NA</b> Atm.cm <sup>3</sup> /s |
| LEAKAGE (pressurized only)      | <b>NA</b>                        |
| MECHANICAL DURABILITY           | <b>500</b> Cycles                |
| WEIGHT                          | <b>18</b> gr                     |
| SPECIFICATION                   |                                  |

|                            |                      |
|----------------------------|----------------------|
| CABLES :                   |                      |
| OTHERS CHARACTERISTICS     |                      |
| CABLE RETENTION            | <b>NA</b> N Mini     |
| CENTER CONTACT RETENTION   |                      |
| Axial force - mating end   | <b>18</b> N Mini     |
| Axial force - opposite end | <b>18</b> N Mini     |
| Torque                     | <b>2.8</b> cm.N Mini |
| RECOMMENDED TORQUES        |                      |
| Mating                     | <b>NA</b> cm.N       |
| Panel nut                  | <b>NA</b> cm.N       |
| Clamp nut                  | <b>NA</b> cm.N       |

| CONNECTOR PARTS | MATERIALS       | FINISH                 | (all values are given )<br>in micrometers |
|-----------------|-----------------|------------------------|---|
| BODY            | BRASS           | NICKEL 2               |   |
| OUTER CONTACT   |                 | NICKEL 2               |   |
| CENTER CONTACT  | BRASS           | GOLD 0.5 OVER NICKEL 2 |   |
| INSULATOR       | PTFE            | -                      |   |
| GASKET          | SILICONE RUBBER | -                      |   |
| OTHERS PIECES   | BRASS           | NICKEL 2               |   |

|                         |               |                  |
|-------------------------|---------------|------------------|
| ISSUE<br><b>9848V01</b> | CREATION DATE | FILE PART-NUMBER |
|-------------------------|---------------|------------------|



TRIQUES

The information given here is subject to change without notice.  
 Design changes may be in order to improve the product .

*Connect to the future*