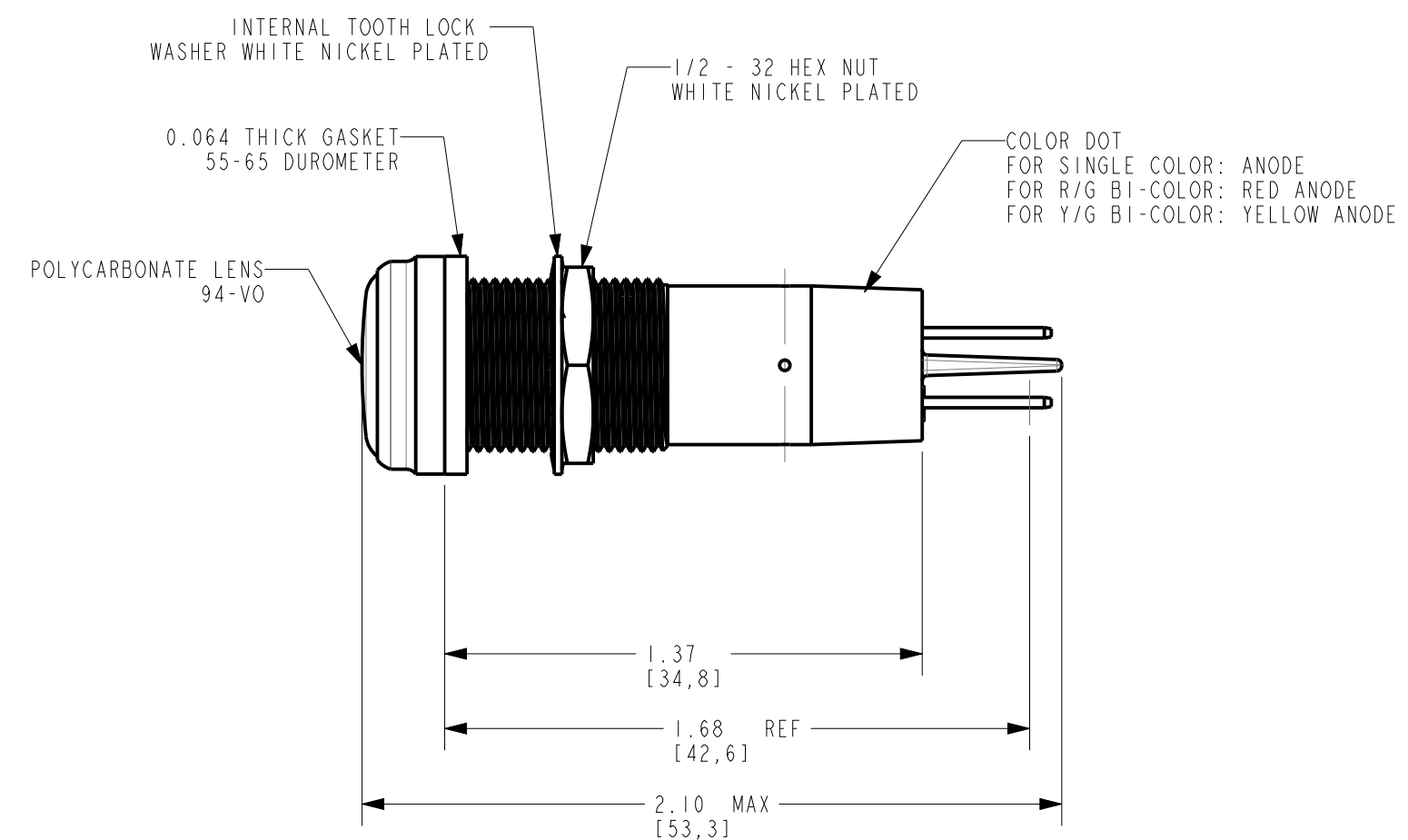
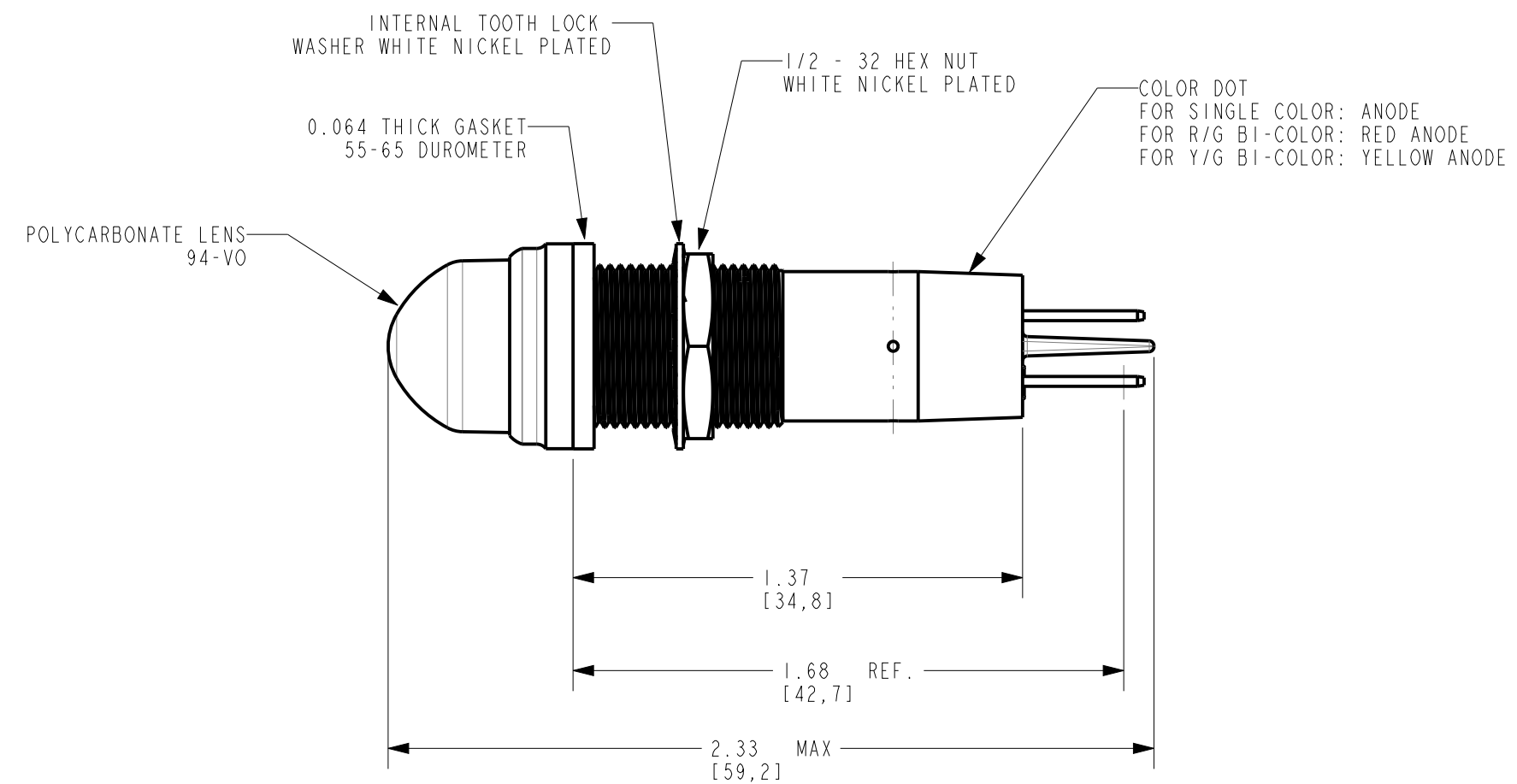


PART NUMBER	LED COLOR	NOMINAL RATING	CURRENT DRAIN	
			mA MIN (RMS)	mA MAX (RMS)
656-1002-X04F	WHITE	5VDC	10	19
656-1003-X04F	WHITE	12VDC	15	17
656-1004-X04F	WHITE	24VDC	18.5	21
656-1005-304F	WHITE	120VAC/DC	4	6
656-1006-X04F	WHITE	28VDC	17	19
656-1007-X04F	WHITE	72VDC	7.7	9.2
656-1008-X04F	WHITE	37.5VDC	7.5	9.2
656-1009-304F	WHITE	230VAC	2	4
656-1102-X04F	RED	5VDC	14	20
656-1103-X04F	RED	12VDC	17	20
656-1104-X04F	RED	24VDC	19	21.5
656-1105-304F	RED	120VAC/DC	4	6
656-1106-X04F	RED	28VDC	18	20.5
656-1107-X04F	RED	72VDC	7.7	9.2
656-1108-X04F	RED	37.5VDC	7.5	9.2
656-1109-304F	RED	230VAC	2	4
656-1122-X04F	RED/GREEN	5VDC	9.5/5	14/10
656-1123-X04F	RED/GREEN	12VDC	9/7.5	11/10
656-1124-X04F	RED/GREEN	24VDC	10/9	12/11
656-1202-X04F	GREEN	5VDC	10	19
656-1203-X04F	GREEN	12VDC	15	17
656-1204-X04F	GREEN	24VDC	18.5	21
656-1205-304F	GREEN	120VAC/DC	4	6
656-1206-X04F	GREEN	28VDC	17	19
656-1207-X04F	GREEN	72VDC	7.7	9.2
656-1208-X04F	GREEN	37.5VDC	7.5	9.2
656-1209-304F	GREEN	230VAC	2	4
656-1302-X04F	YELLOW	5VDC	14	20
656-1303-X04F	YELLOW	12VDC	17	20
656-1304-X04F	YELLOW	24VDC	19	21.5
656-1305-304F	YELLOW	120VAC/DC	4	6
656-1306-X04F	YELLOW	28VDC	18	20.5
656-1307-X04F	YELLOW	72VDC	7.7	9.2
656-1308-X04F	YELLOW	37.5VDC	7.5	9.2
656-1309-304F	YELLOW	230VAC	2	4
656-1322-X04F	YLW/GRN	5VDC	9.5/5	14/10
656-1323-X04F	YLW/GRN	12VDC	9/7.5	11/10
656-1324-X04F	YLW/GRN	24VDC	10/9	12/11
656-1352-X04F	ORANGE	5VDC	14	20
656-1353-X04F	ORANGE	12VDC	17	20
656-1354-X04F	ORANGE	24VDC	19	21.5
656-1355-304F	ORANGE	120VAC/DC	4	6
656-1356-X04F	ORANGE	28VDC	18	20.5
656-1357-X04F	ORANGE	72VDC	7.7	9.2
656-1358-X04F	ORANGE	37.5VDC	7.5	9.2
656-1359-304F	ORANGE	230VAC	2	4
656-1402-X04F	BLUE	5VDC	10	19
656-1403-X04F	BLUE	12VDC	15	17
656-1404-X04F	BLUE	24VDC	18.5	21
656-1405-304F	BLUE	120VAC/DC	4	6
656-1406-X04F	BLUE	28VDC	17	19
656-1407-X04F	BLUE	72VDC	7.7	9.2
656-1408-X04F	BLUE	37.5VDC	7.5	9.2
656-1409-304F	BLUE	230VAC	2	4

REV	ECN NO	REVISIONS	DRN	CKD	APP	DATE
A	—	NEW RELEASE	BP	—	SK	8-3-16
B	—	ADDED WHITE COLOR LED'S, 5VDC LED'S AND BI-COLOR LED'S	BP	—	SK	2-28-17
C	—	ADDED ORANGE P/N'S, ALSO ADDED P/N' WITH 37.5V AND 72V	BP	—	SK	7-13-17
D	—	ADDED COLOR DOT NOTE	BP	—	SK	12-8-17



FOR DOME LENS STYLE, REPLACE 4TH DIGIT WITH A 3.
(EX: 656-1103-304F WILL BE 656-3103-304F)

FOR BLACK NICKEL HOUSING REPLACE X WITH 2,
AND FOR WHITE NICKEL HOUSING RELACE X WITH 3.
(EX: 656-1103-X03F WILL BE 656-3103-303F FOR WHITE NICKEL)

NOTES:

1. PRODUCT IS WATER SEALED FROM FRONT OF PANEL.
2. MOUNTING TORQUE: 5 IN-LB FOR WATERTIGHT SEAL
3. INTERNAL DIFFUSER IS INCLUDED IN ASSEMBLY.
4. FRONT MOUNTING IN 1/2 INCH CLEARANCE HOLE.

THIS DRAWING AND THE CONTENTS HEREIN ARE CONFIDENTIAL AND THE SOLE PROPERTY OF DIALIGHT CORP. REPRODUCTION OF THIS DRAWING OR CONSTRUCTION OF ANY PARTS WITHIN THIS DRAWING ARE FORBIDDEN WITHOUT THE WRITTEN CONSENT OF DIALIGHT CORP.		
DIALIGHT CORP. INTERNAL REFERENCE ONLY - 3D MODEL: 8561XXS104F-A-16		
SCALE: 2.000	DRAWING NUMBER	REV
ALL DIM'S IN: INCHES (MM)	C-18288	D
TOLERANCES: UNLESS OTHERWISE SPECIFIED	TITLE 1/2" PMI W/TERM	
FRACTIONS: ±1/64	MATERIAL	
DECIMALS (.XX): ±.01	FINISH	
DECIMALS (.XXX): ±.005	FSCM 83330	
DECIMALS (.XXXX): ±.0005	SHEET 1 OF 1 FAMILY TABLE:	
ANGLES: ±1°	Dialight 1501 ROUTE 34 SOUTH FARMINGDALE, NJ 07727 (732) 919-3119 www.dialight.com	