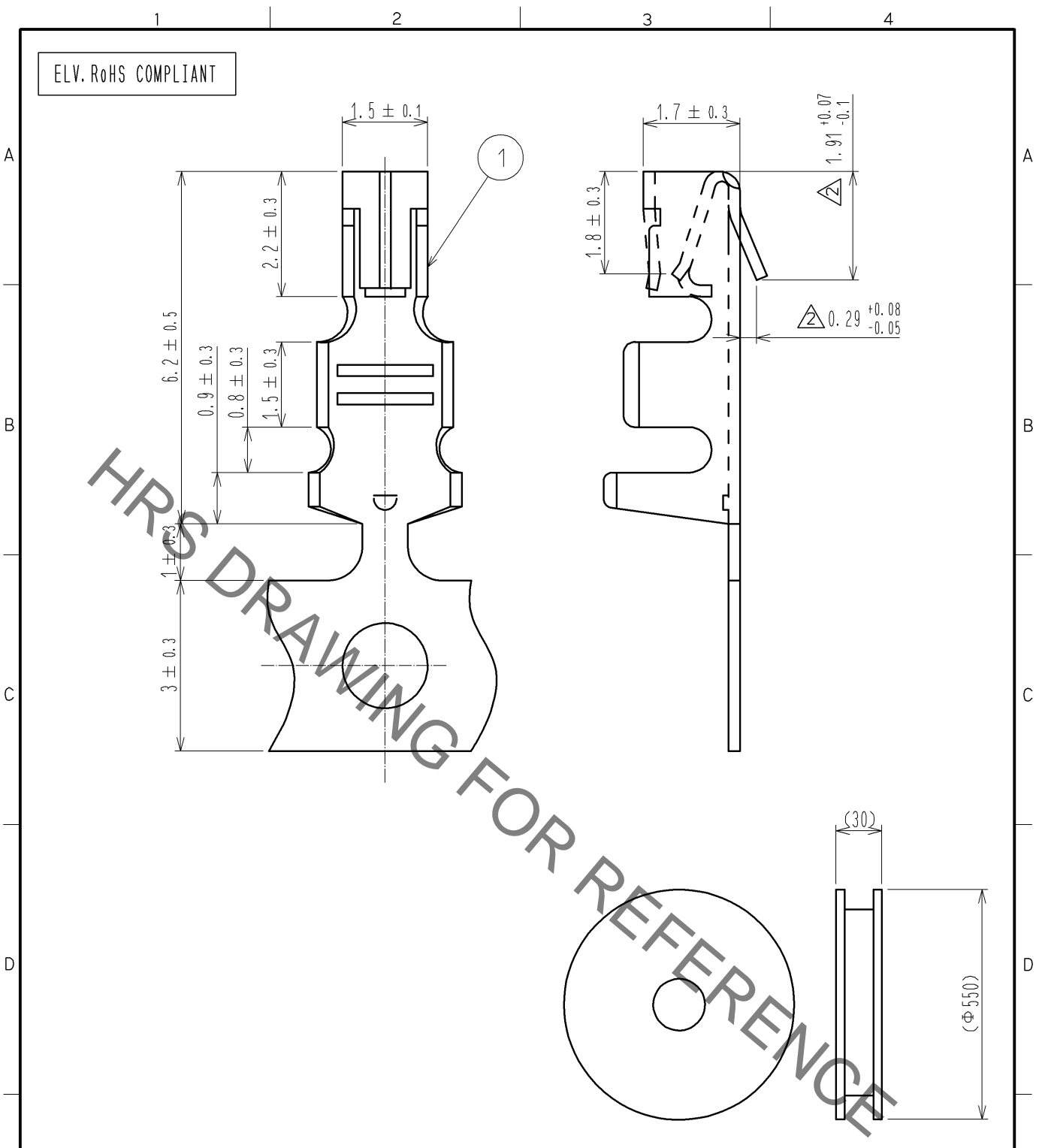


Jun.1.2019 Copyright 2019 HIROSE ELECTRIC CO., LTD. All Rights Reserved.
 In case of consideration for using Automotive equipment / device which demand high reliability, kindly contact our sales window correspondents.

ELV. RoHS COMPLIANT



NOTE1. PER REEL : 10000 CONTACTS.
 2 THE OUTER DIMAMETER OF THE REEL.
 (REFER TO RIGHT FIG.)

2 THE OUTER DIAMETER OF THE REEL.

1	PHOSPHOR BRONZE	TIN PLATING	2		
NO.	MATERIAL	FINISH . REMARKS	NO.	MATERIAL	FINISH . REMARKS
UNITS mm		SCALE 10 : 1	COUNT 2	DESCRIPTION OF REVISIONS DIS-T-004199	DESIGNED NA. HARUBAYASHI
					CHECKED HS. OZAWA
					DATE 14.12.16
HIROSE ELECTRIC CO., LTD.		APPROVED : KS. SATOH	05.01.05	DRAWING NO.	EDC4-166427-00
		CHECKED : AR. SHIRAI	05.01.05	PART NO.	GT8E-2022SCF
		DESIGNED : YN. KADOTA	05.01.05	CODE NO.	CL758-0033-4-00
		DRAWN : YN. KADOTA	05.01.05		

Mouser Electronics

Authorized Distributor

Click to View Pricing, Inventory, Delivery & Lifecycle Information:

[Hirose Electric:](#)

[GT8E-2022SCF](#)