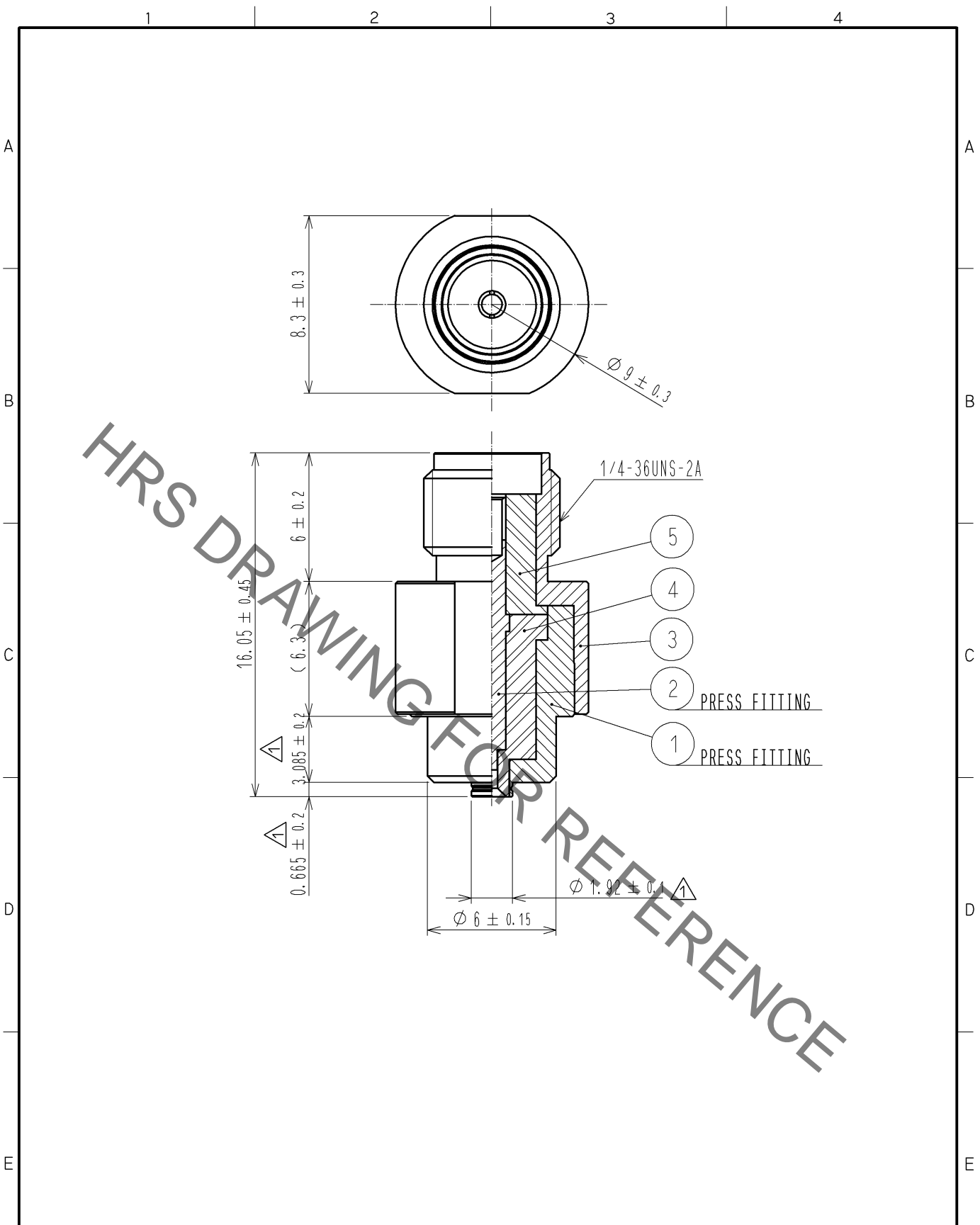


Aug.1.2020 Copyright 2020 HIROSE ELECTRIC CO., LTD. All Rights Reserved.
 In case of consideration for using Automotive equipment / device which demand high reliability, kindly contact our sales window correspondents.



3	STAINLESS	PASSIVATE						
2	BERYLLIUM COPPER	GOLD PLATING		5	PTFE			
1	STAINLESS	PASSIVATE		4	PTFE			
NO.	MATERIAL	FINISH	REMARKS	NO.	MATERIAL	FINISH	REMARKS	
UNITS		SCALE	COUNT	DESCRIPTION OF REVISIONS		DESIGNED	CHECKED	DATE
mm		4 : 1	3	DIS-J-001163		RI. SATO	TY. OZAKI	10. 07. 20
HRS HIROSE ELECTRIC CO., LTD.	APPROVED	: KJ. KAWAMURA	05. 01. 05	DRAWING NO.	EDC4-180354-00			
	CHECKED	: RZ. KANO	05. 01. 05	PART NO.	MS-156R-HRMJ-1			
	DESIGNED	: KH. HIDA	05. 01. 05	CODE NO.	CL358-0188-8-00			
	DRAWN	: KH. HIDA	05. 01. 05		1/1			

Mouser Electronics

Authorized Distributor

Click to View Pricing, Inventory, Delivery & Lifecycle Information:

[Hirose Electric:](#)

[MS-156R-HRMJ-1](#)