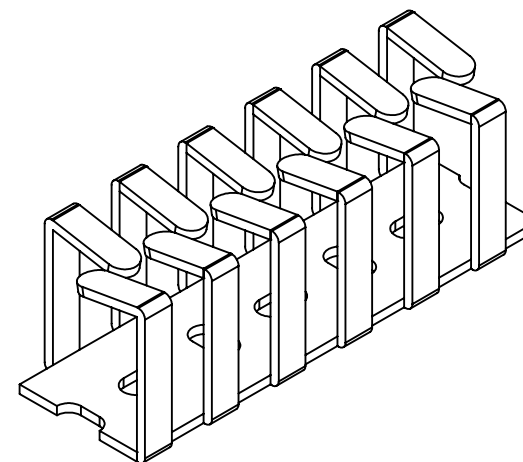


PART NO.	EXT. DIM. "A"	MOUNTING METHOD	INT. SECTION IN² [MM²]
*RX1313-0	.49 [12.5]	SCREW	.171 [110.0]
*RX1313-4		ADHESIVE	
RX1616-0	.63 [16.0]	SCREW	.287 [185.0]
RX1616-4		ADHESIVE	
RX2020-0	.79 [20.0]	SCREW	.496 [320.0]
RX2020-4		ADHESIVE	
RX2525-0	.98 [25.0]	SCREW	.775 [500.0]
RX2525-4		ADHESIVE	
RX3030-0	1.18 [30.0]	SCREW	1.116 [720]
RX3030-4		ADHESIVE	
RX4040-0	1.57 [40.0]	SCREW	2.046 [1320.0]
RX4040-4		ADHESIVE	
RX5050-0	1.97 [50.0]	SCREW	3.162 [2040.0]
RX5050-4		ADHESIVE	

\*ONLY ON THESE TWO PARTS,  
ALL HOLES HAVE THE SAME ORIENTATION



- NOTES:  
 1. MATERIAL: POLYPROPYLENE (RMS-177).  
 2. COLOR: GRAY RAL7040.  
 3. SHR CAT INSTALLATION TOOL SERIES CAN BE USED FOR QUICK HARNESS ASSEMBLY  
 4. UL-94 V0 MATERIAL AVAILABLE BY SPECIAL ORDER.  
 5. DOUBLE SIDED ADHESIVE TAPE (RMS-93).  
 6. SCREW MOUNT CHANNEL IS UL LISTED

TITLE: CHANNEL, FLEXIBLE (RICHFLEX)				DWG IN IN [MM]		FINAL	
CREATED USING SOLIDWORKS	FILE #: RX XXXX-X	DWN: SM	APP: -				
TOLERANCES UNLESS NOTED .XX=±.010 .XXX=±.005 FRAC.=±1/64 ANG.=±1°	SHEET: 1 OF 2	SHEET SIZE: A	DT: 01/04/05	CHKD: -	PART #		PRINT TYPE
	RE: RICHCO, INC.	RICHCO, INC. ENG@RICHCO-INC.COM (773) 539-4060		SEE TABLE		CA	

REV.	DESCRIPTION	ENGR.	DATE
F	SEE CO 200072	SK	11/28/07
E	SEE ECN #903 FOR CHANGES	SM	01/04/05
-	SEE ENGINEERING FOR REV A-D	-	----

# Mouser Electronics

Authorized Distributor

Click to View Pricing, Inventory, Delivery & Lifecycle Information:

## Essentra:

[RX1313-0](#) [RX1313-4](#) [RX1616-0](#) [RX1616-4](#) [RX2020-0](#) [RX2020-4](#) [RX2525-0](#) [RX2525-4](#) [RX3030-0](#) [RX3030-4](#)  
[RX4040-0](#) [RX4040-4](#) [RX5050-0](#) [RX5050-4](#)