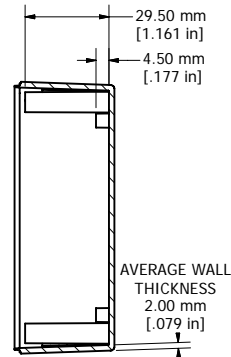
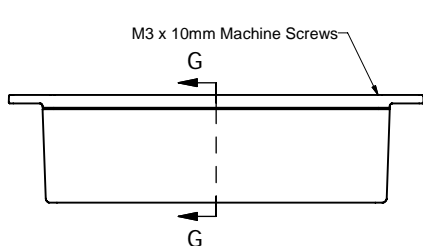
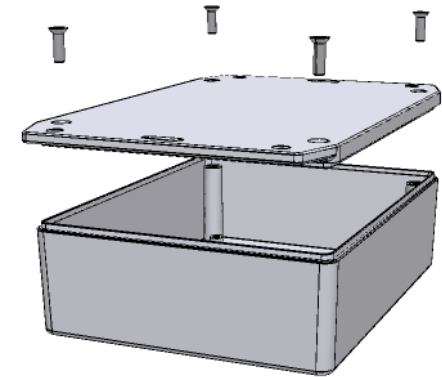


SIDE VIEW OF BOX

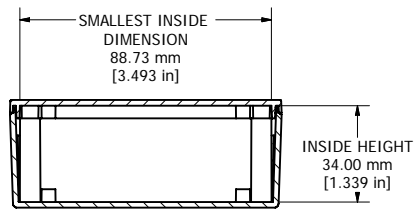
TOP VIEW OF BOX



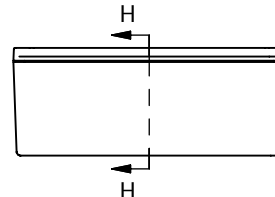
SECTION J-J



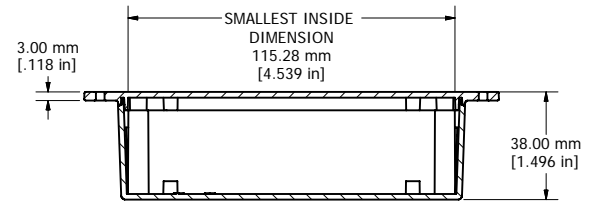
SIDE VIEW OF ENCLOSURE



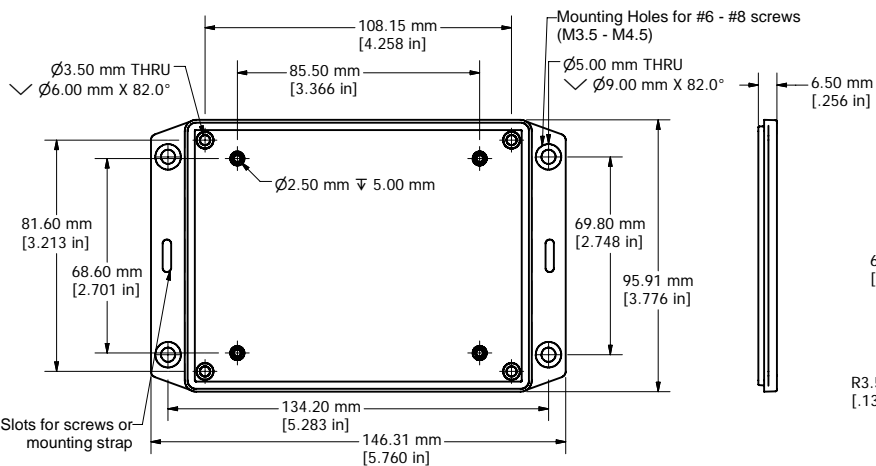
SECTION G-G



END VIEW OF ENCLOSURE

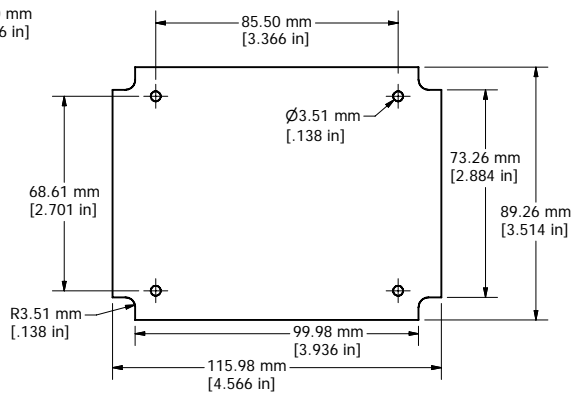


SECTION H-H



BOTTOM VIEW OF LID

SIDE VIEW OF LID



MAX PC BOARD SIZE (NOT INCLUDED)

Enclosures can be Factory Modified ( Milling, Drilling, Printing etc. )  
Solid models of this enclosure available in STEP or IGES.  
Contact Factory [mjm@hammondmfg.com](mailto:mjm@hammondmfg.com)

NOTE	
Enclosure molded from FRABS UL 94-V0 Plastic.	
Brass Inserts Included	
Other materials / colours available consult factory.	
1591XXGFL	
1591XXGFL Box Enclosure	
Black Enclosure - RAL 7011	1591XXGFLBK
Gray Enclosure - RAL 7002	1591XXGFLGY
ACCESSORIES	
Lid Screws M3 x 0.5 - H6 Black	1591MS100BK (Pkg 100)
Lid Screws M3 x 0.5 - H6 Standard	1591MS100 (Pkg 100)
P.C. Board Screws (All Boxes)	
P.C. Board Screws	1593ATS50 (Pkg 50)
#4 x 1/4" self-tapping (6.4mm)	1593ATS100 (Pkg 100)

