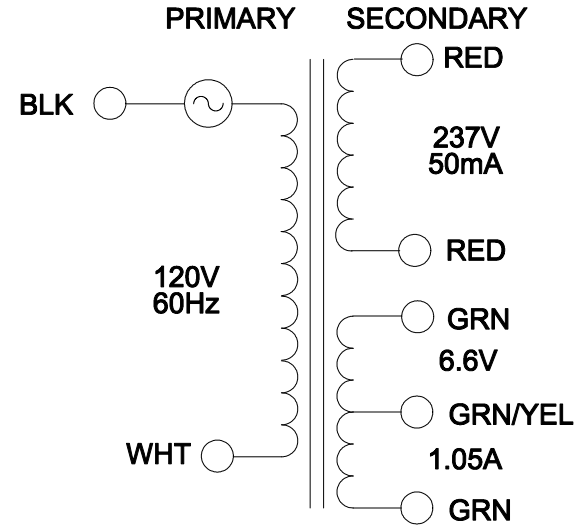
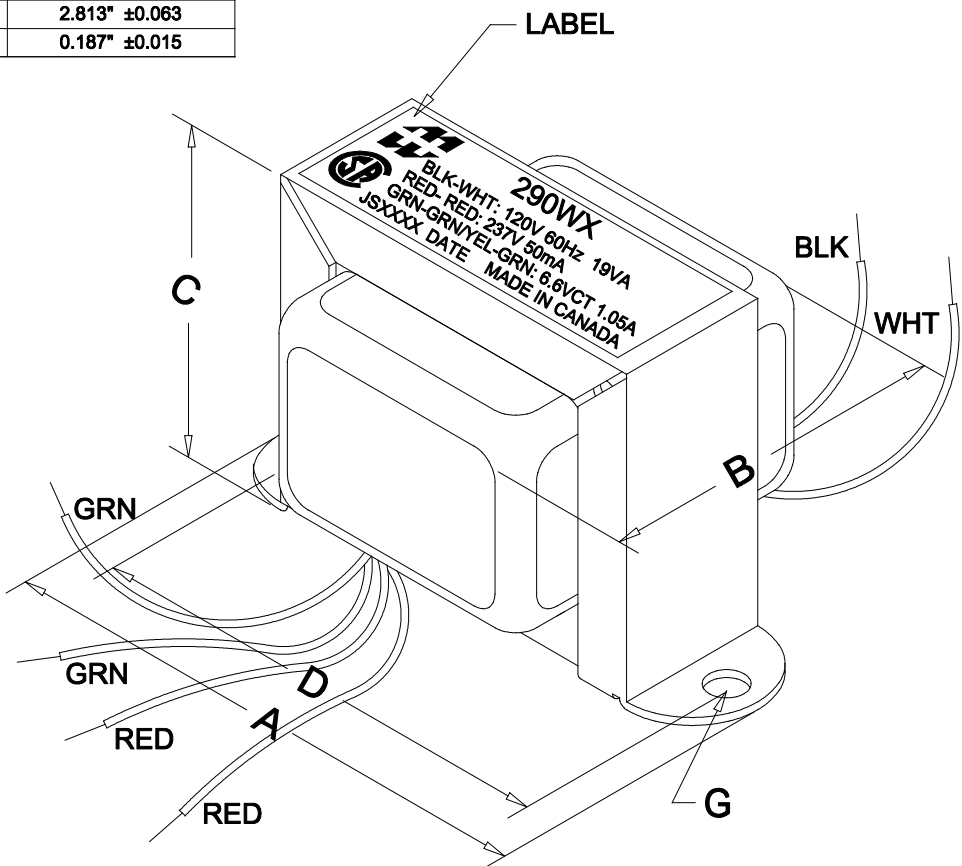


DIMENSIONS:	
A	3.250" ±0.063
B	2.360" ±0.125
C	1.995" ±0.063
D	2.813" ±0.063
G	0.187" ±0.015



NOTE: ALL LEADS 12.0" LONG MIN.

ELECTRICAL DATA:		
TESTS	CONDITIONS	ACCEPTANCE CRITERIA
I _{ex}	@ 120V, 60Hz, BLK - WHT	78mA Max.
Sec. N.L.V	@ 120V, 60Hz, BLK - WHT	
	RED - RED =	255.9V ±2%
	GRN - GRN/YEL = GRN/YEL - GRN =	3.568V ±2%
	GRN - GRN =	7.135V ±2%
DCR	@ 20°C, BLK - WHT =	22.92 Ω ±20%
	@ 20°C, RED - RED =	182.8 Ω ±20%
	@ 20°C, GRN - GRN =	0.233 Ω ±20%
HIPOT	PRIMARY - SECONDARY	2500V, 60Hz, 1 SEC

REV.#	REVISION	DATE	HAMMOND ELECTRONIC DIVISION		MANUFACTURING™	
0	RELEASED.	C.I. 06/17/11	52 RANKIN PLACE,		PH # (519) 886-6181	
1	ADDED CT TO 6.6V WINDING.	C.I. 09/16/20	WATERLOO, ONTARIO, N2J 3Z5		FAX # (519) 886-9540	
			DWG. BY: C. ILIE	CHK'D BY:	TITLE: 290WX	DWG. NO.
			DATE: 06/17/11	APP'D. BY:	TRANSFORMER	290WX
				DIMENSIONS: IN(X) MM()		