



U-GAGE™ S18U Series Sensors with Analog Output

18 mm Ultrasonic Sensors with TEACH-mode programming

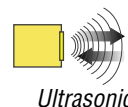
Features

- Fast, easy-to-use TEACH-Mode programming; no potentiometer adjustments
- Short dead zone
- Scalable output automatically distributes the output signal over the width of the programmed sensing window
- Two bi-colored status LEDs
- Rugged encapsulated design for harsh environments
- Choose 2 meter or 9 meter unterminated cable, or 5-pin Euro-style QD connector
- Wide operating range of -20° to +60°C (-4° to +140°F)
- Choose either straight or right-angle housing
- Temperature compensation
- Selectable response times of 2.5 or 30 ms
- Select analog models with either 0-10V dc or 4-20 mA output



Right-Angle Housing

Straight Housing



Models

Model Number	Sensing Range	Cable*	Supply Voltage	Output	Housing Configuration
S18UUA	30 to 300 mm (1.2" to 11.8")	5-wire, 2 m (6.5') cable	10 to 30V dc	0 to 10V dc	Straight
S18UUAQ		5-pin Euro style QD			
S18UIA		5-wire, 2 m (6.5') cable		4 to 20 mA	
S18UIAQ		5-pin Euro style QD			
S18UUAR		5-wire, 2 m (6.5') cable		0 to 10V dc	Right-Angle
S18UUARQ		5-pin Euro style QD			
S18UIAR		5-wire, 2 m (6.5') cable		4 to 20 mA	
S18UIARQ		5-pin Euro style QD			

* 9 m cables are available by adding suffix "W/30" to the model number of any cabled sensor (e.g., S18UUA W/30).
A model with a QD connector requires a mating cable; see page 10.

Information about discrete models is available on Banner's website: www.bannerengineering.com



WARNING . . . Not To Be Used for Personnel Protection

Never use these products as sensing devices for personnel protection. Doing so could lead to serious injury or death. These sensors do NOT include the self-checking redundant circuitry necessary to allow their use in personnel safety applications. A sensor failure or malfunction can cause either an energized or de-energized sensor output condition. Consult your current Banner Safety Products catalog for safety products which meet OSHA, ANSI and IEC standards for personnel protection.

U-GAGE™ S18U Series Sensor — Analog Output

Principles of Operation

Ultrasonic sensors emit one or multiple pulses of ultrasonic energy, which travel through the air at the speed of sound. A portion of this energy reflects off the target and travels back to the sensor. The sensor measures the total time required for the energy to reach the target and return to the sensor. The distance to the object is then calculated using the following formula:

$$D = \frac{ct}{2}$$

D = distance from the sensor to the target
c = speed of sound in air
t = transit time for the ultrasonic pulse

To improve accuracy, an ultrasonic sensor may average the results of several pulses before outputting a new value.

Temperature Effects

The speed of sound is dependent upon the composition, pressure and temperature of the gas in which it is traveling. For most ultrasonic applications, the composition and pressure of the gas are relatively fixed, while the temperature may fluctuate.

In air, the speed of sound varies with temperature according to the following approximation:

$$C_{m/s} = 20 \sqrt{273 + T_C}$$

C_{m/s} = speed of sound in meters per second

Or, in English units:

T_C = temperature in °C

$$C_{ft/s} = 49 \sqrt{460 + T_F}$$

C_{ft/s} = speed of sound in feet per second

T_F = temperature in °F

Temperature Compensation

Changes in air temperature affect the speed of sound, which in turn affects the distance reading measured by the sensor. An increase in air temperature shifts both sensing window limits closer to the sensor. Conversely, a decrease in air temperature shifts both limits farther away from the sensor. This shift is approximately 3.5% of the limit distance for a 20° C change in temperature.

The S18U series ultrasonic sensors are temperature compensated. This reduces the error due to temperature by about 90%. The sensor will maintain its window limits to within 1.8% over the -20° to +60° C range.

NOTES:

- Exposure to direct sunlight can affect the sensor's ability to accurately compensate for changes in temperature.
- If the sensor is measuring across a temperature gradient, the compensation will be less effective.
- The temperature warmup drift upon power-up is less than 1.7% of the sensing distance. After 10 minutes, the apparent distance will be within 0.3% of the actual position. After 25 minutes, the sensing distance will be stable.

U-GAGE™ S18U Series Sensor — Analog Output

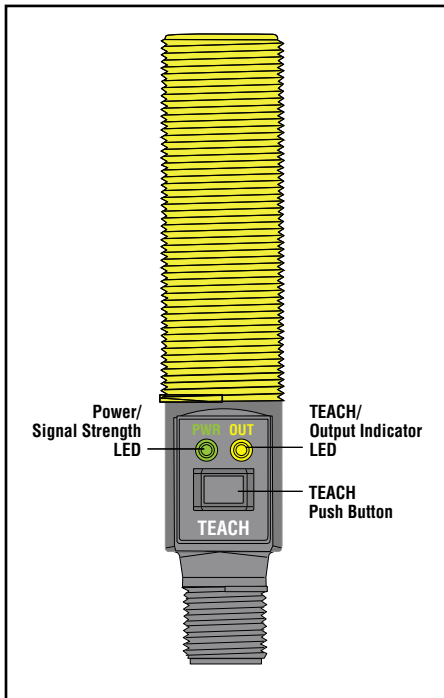


Figure 1. Sensor features

Sensor Programming

Two TEACH methods may be used to program the sensor:

- Teach individual minimum and maximum limits, or
- Use Auto-Window feature to center a sensing window around the taught position.

The sensor may be programmed either via its push button, or via a remote switch. Remote programming also may be used to disable the push button, preventing unauthorized personnel from adjusting the programming settings. To access this feature, connect the gray wire of the sensor to 0 - 2V dc, with a remote programming switch between the sensor and the voltage.

NOTE: The impedance of the Remote Teach input is 12 kΩ.

Programming is accomplished by following the sequence of input pulses (see programming procedures starting on page 4). The duration of each pulse (corresponding to a push button “click”), and the period between multiple pulses, are defined as “T”:

$$0.04 \text{ seconds} < T < 0.8 \text{ seconds}$$

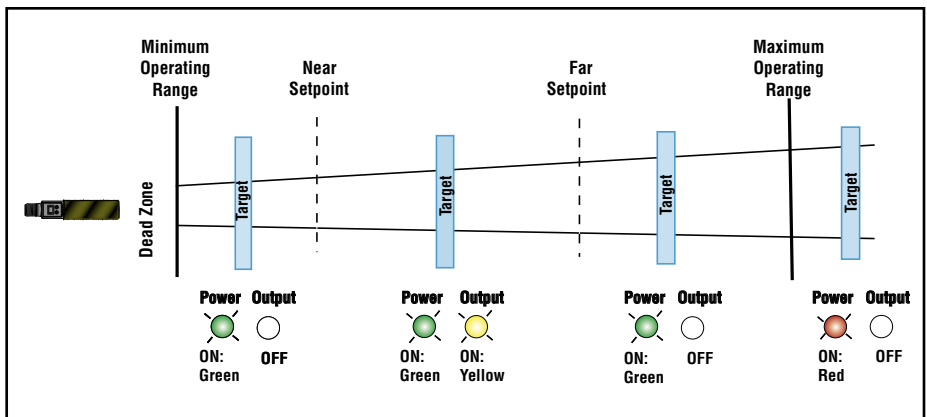


Figure 2. TEACH Interface

Status Indicators

Power ON/OFF LED	Indicates
OFF	Power is OFF.
ON Red	Target is weak or outside sensing range.
ON Green	Sensor is operating normally, good target.

Output/Teach LED	Indicates
OFF	Target is outside window limits.
Yellow	Target is within window limits.
ON Red (solid)	In Teach Mode, waiting for first limit.
ON Red (flashing)	In Teach Mode, waiting for second limit.

U-GAGE™ S18U Series Sensor — Analog Output

Teaching Minimum and Maximum Limits

General Notes on Programming

- The sensor will return to Run mode if the first Teach condition is not registered within 120 seconds.
- After the first limit is taught, the sensor will remain in Program mode until the Teach sequence is finished.
- To exit Program mode without saving any changes, press and hold the programming push button > 2 seconds (before teaching the second limit). The sensor will revert to the last saved limits.

Analog Output Slope:

The U-GAGE S18U sensor may be programmed for either a positive or a negative output slope, based on which limit is taught first (see Figure 3). If the Near limit is taught first, the slope will be positive. If the Far limit is taught first, the slope will be negative. Banner's scalable output automatically distributes the output signal over the width of the programmed sensing window.

In the event of signal loss, the analog output goes to 3.6 mA or 0V dc, which may be used to trigger an alarm.

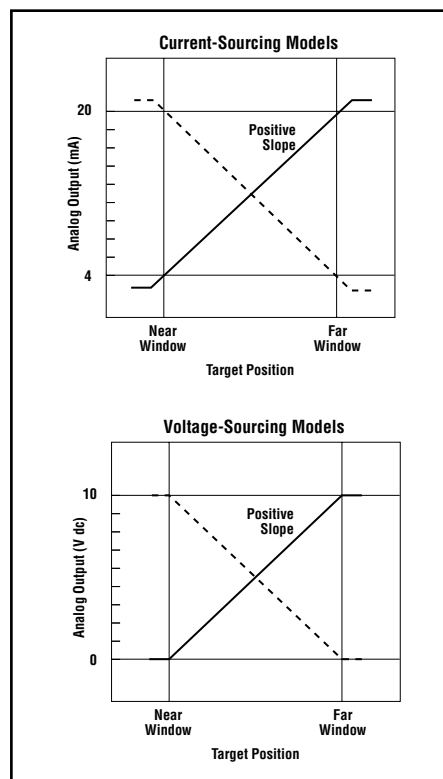




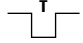


Figure 3. Analog output slope

	Procedure		Result
	Push Button 0.04 < "click" < 0.8 sec.	Remote Wire 0.04 sec. < T < 0.8 sec.	
Programming Mode	<ul style="list-style-type: none"> • Push and hold the push button  	<ul style="list-style-type: none"> • No action required; sensor is ready for 1st limit teach 	Output LED: ON Red Power LED: ON Green (good signal) or ON Red (no signal)
Teach First Limit	<ul style="list-style-type: none"> • Position the target for the first limit 	<ul style="list-style-type: none"> • Position the target for the first limit 	Power LED: Must be ON Green
	<ul style="list-style-type: none"> • "Click" the push button  	<ul style="list-style-type: none"> • Single-pulse the remote line  	Teach Accepted (Sensor learns the 0V dc or 4 mA limit) Output LED: Flashing Red Teach Unacceptable Output LED: ON Red
Teach Second Limit	<ul style="list-style-type: none"> • Position the target for the second limit 	<ul style="list-style-type: none"> • Position the target for the second limit 	Power LED: Must be ON Green
	<ul style="list-style-type: none"> • "Click" the push button  	<ul style="list-style-type: none"> • Single-pulse the remote line  	Teach Accepted (Sensor learns the 10V dc or 20 mA limit) Output LED: Yellow or OFF Teach Unacceptable Output LED: Flashing Red





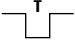
U-GAGE™ S18U Series Sensor — Analog Output

Teaching Limits Using the Auto-Window Feature

Teaching the same limit twice for the same output automatically centers a 100 mm window on the taught position.

General Notes on Programming

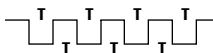
- The sensor will return to Run mode if the first Teach condition is not registered within 120 seconds.
- After the first limit is taught, the sensor will remain in Program mode until the Teach sequence is finished.
- To exit Program mode without saving any changes, press and hold the programming push button > 2 seconds (before teaching the second limit). The sensor will revert to the last saved limits.
- Using this procedure the analog output will be centered on the taught position at approximately 5V dc or 12 mA.

	Procedure		Result
	Push Button 0.04 < "click" < 0.8 sec.	Remote Wire 0.04 sec. < T < 0.8 sec.	
Programming Mode	<ul style="list-style-type: none"> • Push and hold the push button 	<ul style="list-style-type: none"> • No action required; sensor is ready for first limit teach 	Output LED: ON Red Power LED: ON Green (good signal) or ON Red (no signal)
Teach Limit	<ul style="list-style-type: none"> • Position the target for the center of the window 	<ul style="list-style-type: none"> • Position the target for the center of the window 	Power LED: Must be ON Green
	<ul style="list-style-type: none"> • "Click" the push button 	<ul style="list-style-type: none"> • Single-pulse the remote line 	Teach Accepted Output LED: Flashing Red Teach Unacceptable Output LED: ON Red
Re-Teach Limit	<ul style="list-style-type: none"> • Without moving the target, "click" the push button again 	<ul style="list-style-type: none"> • Without moving the target, single-pulse the remote line again 	Teach Accepted Output LED: Yellow or OFF Teach Unacceptable Output LED: Flashing Red

U-GAGE™ S18U Series Sensor — Analog Output


Push Button Lockout

Enables or disables the push button to prevent unauthorized adjustment of the program settings.

	Procedure		Result
	Push Button	Remote Wire 0.04 sec. < T < 0.8 sec.	
Enable/Disable Push Button	<ul style="list-style-type: none"> Not available via push button 	<ul style="list-style-type: none"> Four-pulse the remote line 	<ul style="list-style-type: none"> Push buttons are either enabled or disabled, depending on previous condition.

U-GAGE™ S18U Series Sensor — Analog Output

Specifications

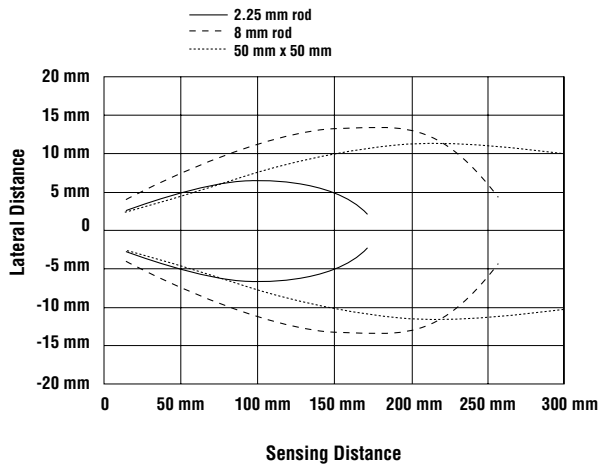
Sensing Range	30 to 300 mm (1.2" to 11.8")	
Supply Voltage	10 to 30V dc (10% maximum ripple); 65 mA max. (exclusive of load), 40 mA typical @ 25V input	
Ultrasonic Frequency	300 kHz, rep. rate 2.5 ms	
Supply Protection Circuitry	Protected against reverse polarity and transient voltages	
Output Configuration	Analog Output: 0 to 10V dc or 4 to 20 mA, depending on model	
Output Protection	Protected against short circuit conditions	
Output Ratings	<p>Analog Voltage Output: 2.5 kΩ minimum load resistance Minimum supply for a full 10V output is 12V dc (for supply voltages between 10 and 12, V out max is at least V supply -2)</p> <p>Analog Current Output: 1 kΩ max @ 24V input Max load resistance = (Vcc-4)/0.02 ohms</p> <p>For current output (4-20 mA) models, ideal results are achieved when the total load resistance $R = [(V_{in} - 3)/0.020]\Omega$. Example, at $V_{in} = 24V$ dc, $R \approx 1\text{ k}\Omega$ (1 watt). A worst-case shift of 1% of sensing distance is caused by operating the sensor at $V_{in} = 30V$ dc and $R = 0\ \Omega$.</p>	
Output Response Time (for a 95% step change)	<p>2.5 milliseconds: Black wire at 5-30V dc</p> <p>30 milliseconds: Black wire at 0-2V dc (or open)</p> <p>Consult factory for other response speed options</p>	
Delay at Power-Up	300 milliseconds	
Temperature Effect	0.02% of distance/ °C	
Linearity*	2.5 ms response: ± 1 mm	30 ms response: ± 0.5 mm
Resolution*	2.5 ms response: 1 mm	30 ms response: 0.5 mm
Minimum Window Size	5 mm	
Adjustments	Sensing window limits: TEACH-Mode programming of near and far window limits may be set using the push button or remotely via TEACH input (see page 3).	
Indicators	Range Indicator (Red/Green)	<p>Green — Target is within sensing range</p> <p>Red — Target is outside sensing range</p> <p>OFF — Sensing power is OFF</p>
	Teach/Output Indicator (Yellow/Red)	<p>Yellow — Target is within taught limits</p> <p>OFF — Target is outside taught window limits</p> <p>Red — Sensor is in TEACH mode</p>
Remote TEACH Input	Impedance: 12 k Ω	
Construction	Threaded Barrel: Thermoplastic polyester Push Button: Santoprene	Push Button Housing: ABS/PC Lightpipes: Acrylic
Operating Conditions	Temperature: -20° to +60° C (-4° to +140° F) Maximum relative humidity: 100%	
Connections	2 m (6.5') or 9 m (30') shielded 5-conductor (with drain) PVC jacketed attached cable or 5-pin Euro-style quick-disconnect (see page 10 for quick-disconnect cable options)	
Environmental Rating	Leakproof design is rated IEC IP67; NEMA 6P	
Vibration and Mechanical Shock	All models meet Mil. Std. 202F requirements method 201A (vibration: 10 to 60 Hz max., double amplitude 0.06", maximum acceleration 10G). Also meets IEC 947-5-2 requirements: 30G 11 ms duration, half sine wave.	
Temperature Warmup Drift	Less than 1.7% of sensing distance upon power-up (see Temperature Compensation, page 2)	
Application Notes	Objects passing inside the specified near limit may produce a false response.	
Certifications		

* Linearity and resolution are specified using a 50 mm x 50 mm (2" x 2") aluminum plate at 22°C under fixed sensing conditions.

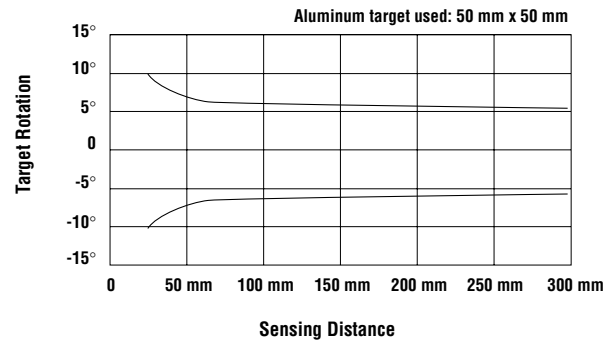
U-GAGE™ S18U Series Sensor — Analog Output

Sensor Response Curves

Effective Beam Pattern (Typical)

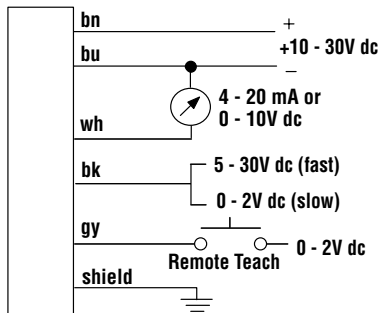


Maximum Target Rotation Angle

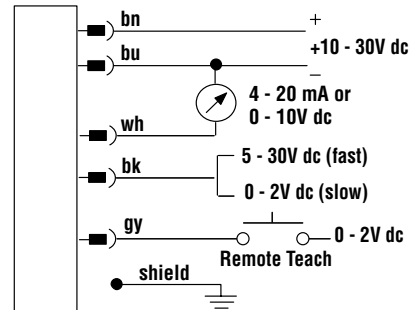


Hookups

Cabled Models



QD Models



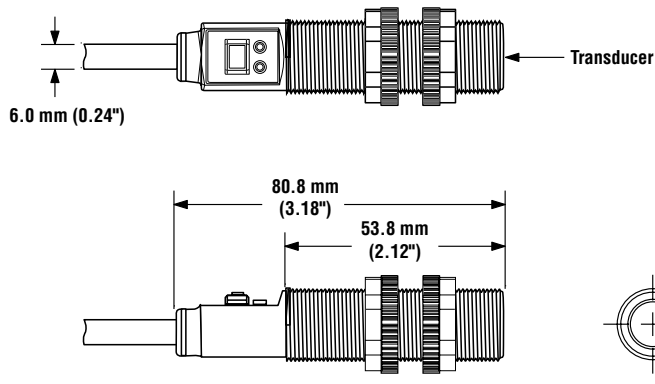
NOTE: It is recommended that the shield wire be connected to earth ground or DC common.

U-GAGE™ S18U Series Sensor — Analog Output

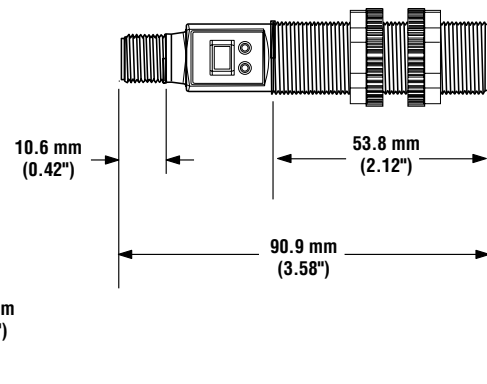
Dimensions

Straight Housing

Cabled Models

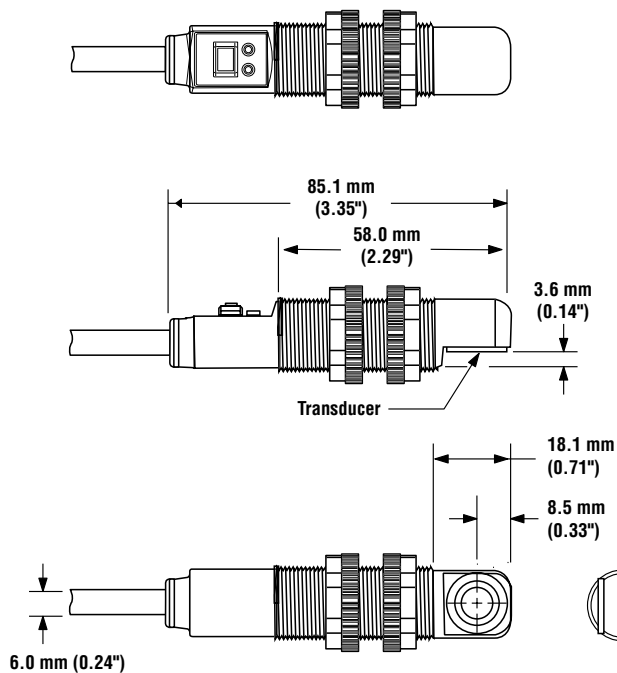


QD Models

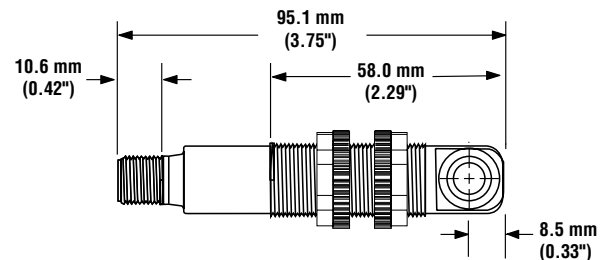


Right-Angle Housing

Cabled Models



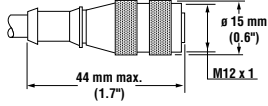
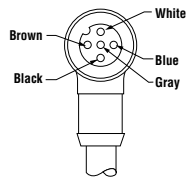
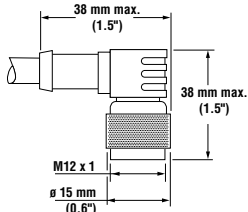
QD Models



U-GAGE™ S18U Series Sensor — Analog Output

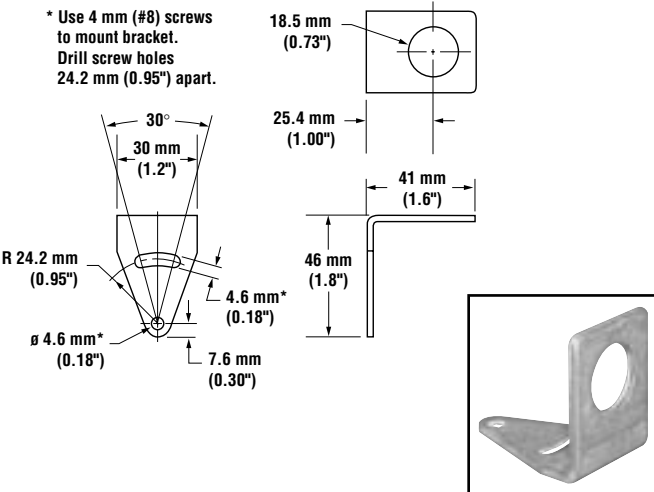
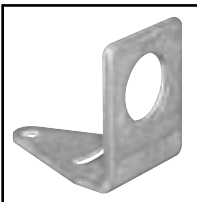

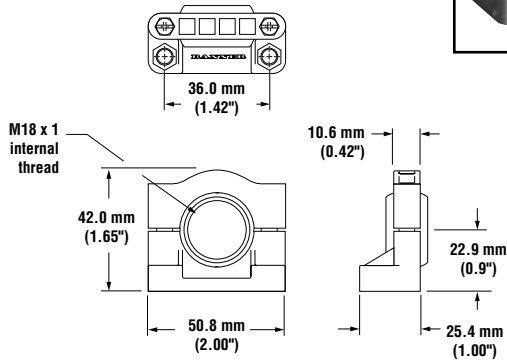
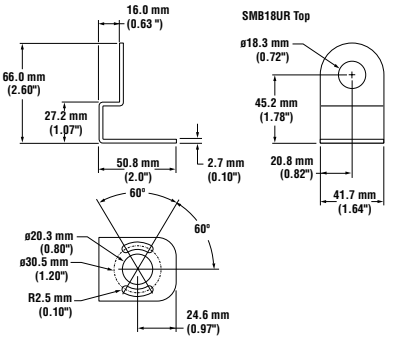
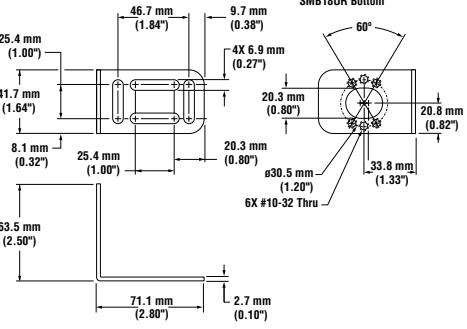

Accessories

Quick-Disconnect Cables

Style	Model	Length	Dimensions	Pinout
5-pin Euro-style straight, with shield	MQDEC2-506 MQDEC2-515 MQDEC2-530	2 m (6.5') 5 m (15') 9 m (30')		
5-pin Euro-style right-angle, with shield	MQDEC2-506RA MQDEC2-515RA MQDEC2-530RA	2 m (6.5') 5 m (15') 9 m (30')		

U-GAGE™ S18U Series Sensor — Analog Output

Mounting Brackets

<p>SMB18A</p>	<ul style="list-style-type: none"> • 12-gauge, stainless steel, right-angle mounting bracket with a curved mounting slot for versatility and orientation • Clearance for M4 (#8) hardware 	<p>SMB18SF</p>	<ul style="list-style-type: none"> • 18 mm swivel bracket • Black thermoplastic polyester • Includes stainless steel hardware
<p>* Use 4 mm (#8) screws to mount bracket. Drill screw holes 24.2 mm (0.95") apart.</p>  	  <p>M18 x 1 internal thread</p>		
<p>SMB18UR</p>	<ul style="list-style-type: none"> • 2-piece universal 18 mm swivel bracket • 300 series stainless steel • Includes stainless steel swivel locking hardware 		
 <p>SMB18UR Top</p>  <p>SMB18UR Bottom</p> 			

U-GAGE™ S18U Series Sensor — Analog Output

Banner Engineering Corp Limited Warranty

Banner Engineering Corp. warrants its products to be free from defects in material and workmanship for one year following the date of shipment. Banner Engineering Corp. will repair or replace, free of charge, any product of its manufacture which, at the time it is returned to the factory, is found to have been defective during the warranty period. This warranty does not cover damage or liability for misuse, abuse, or the improper application or installation of the Banner product.

THIS LIMITED WARRANTY IS EXCLUSIVE AND IN LIEU OF ALL OTHER WARRANTIES WHETHER EXPRESS OR IMPLIED (INCLUDING, WITHOUT LIMITATION, ANY WARRANTY OF MERCHANTABILITY OR FITNESS FOR A PARTICULAR PURPOSE), AND WHETHER ARISING UNDER COURSE OF PERFORMANCE, COURSE OF DEALING OR TRADE USAGE.

This Warranty is exclusive and limited to repair or, at the discretion of Banner Engineering Corp., replacement. IN NO EVENT SHALL BANNER ENGINEERING CORP. BE LIABLE TO BUYER OR ANY OTHER PERSON OR ENTITY FOR ANY EXTRA COSTS, EXPENSES, LOSSES, LOSS OF PROFITS, OR ANY INCIDENTAL, CONSEQUENTIAL OR SPECIAL DAMAGES RESULTING FROM ANY PRODUCT DEFECT OR FROM THE USE OR INABILITY TO USE THE PRODUCT, WHETHER ARISING IN CONTRACT OR WARRANTY, STATUTE, TORT, STRICT LIABILITY, NEGLIGENCE, OR OTHERWISE.

Banner Engineering Corp. reserves the right to change, modify or improve the design of the product without assuming any obligations or liabilities relating to any product previously manufactured by Banner Engineering Corp.



more sensors, more solutions