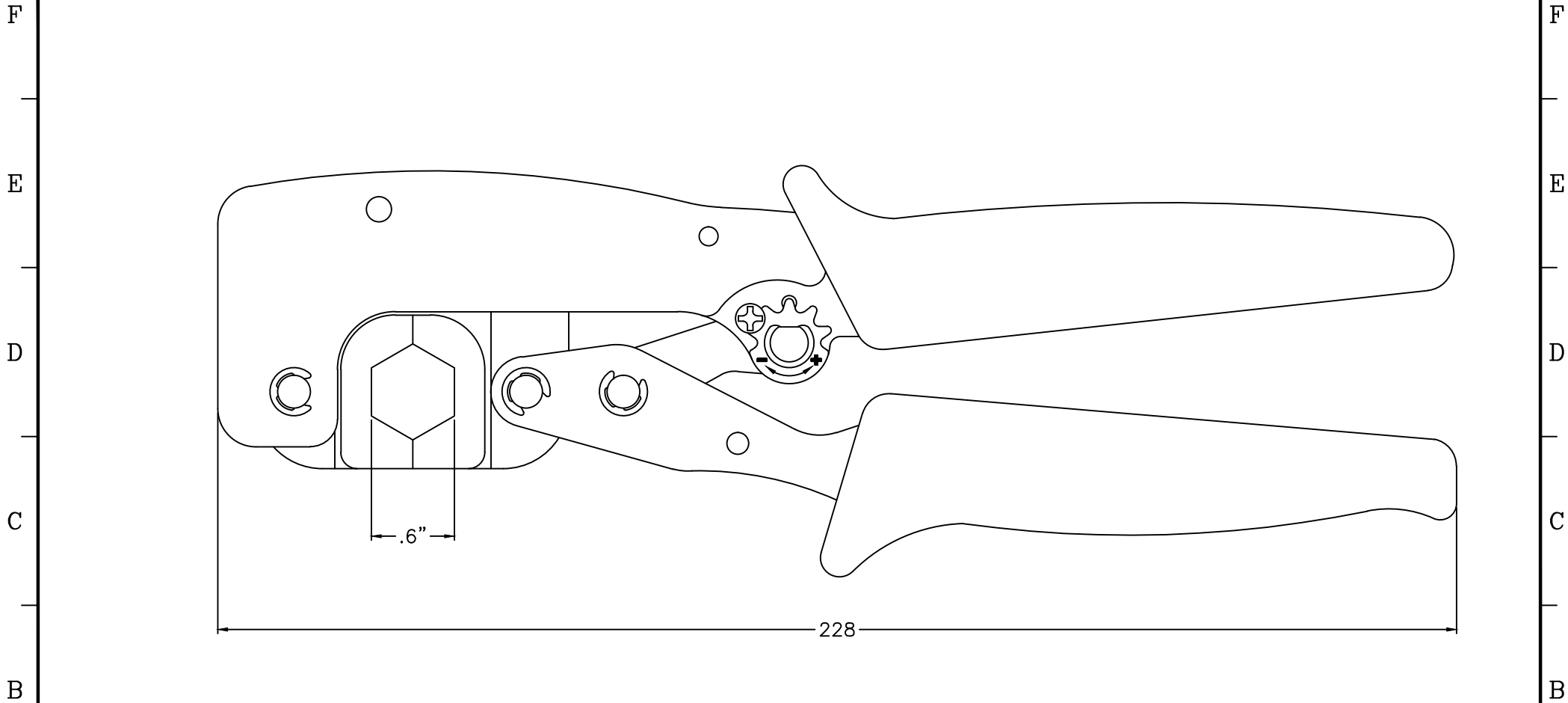


1 2 3 4 5 6 7 8

| REVISIONS | | |
|-----------|------|------------------------------|
| ISS | ZONE | DESCRIPTION\PER REQUEST\DATE |
| | | |



| | | | | |
|---|----------------|----------------|---------------------------------|--|
| DIMENSIONS ARE IN MILLIMETERS UNLESS OTHERWISE SPECIFIED TOLERANCES 0.5-6 = ±0.2 6-30 = ±0.4 30-120 = ±0.6 120-315 = ±1 315-1000 = ±1.6 1000-2000 = ±2.4 | PART NO. 47021 | | G.L.I. | |
| | APPROVED | DATE 09-26-'18 | TITLE CRIMP TOOL FOR LMR-600 | |
| | CHECKED | DATE 09-26-'18 | DRAWING NO. CT-001-6 | |
| | DRAWN | DATE 09-26-'18 | FILE NO. R:\D\G\DWG\CT\001\6 | |

1 2 3 4 5 6 7 8

Mouser Electronics

Authorized Distributor

Click to View Pricing, Inventory, Delivery & Lifecycle Information:

[Amphenol:](#)

[47021](#)