

GPS L1 + L2 Stacked Ceramic Patch Antenna



APAKM3513-SGL2



35.6 x 35.6 x 13.5 mm
RoHS/RoHS II Compliant
MSL = N/A: Not Applicable

Features

- Stacked patch for GPS L1 and L2
- Low VSWR
- Circular polarization
- Gain of 3.1 dBi (L1), 1.2 dBi (L2)

Applications

- GPS L1 and L2 applications
- Remote technology monitoring
- Geofencing
- Navigation
- Surveying and mapping systems
- Logistics
- UAVs and Drones
- Transportation

Electrical Specifications

Parameters	L2			L1			Units	Notes
	Min.	Typ.	Max.	Min.	Typ.	Max.		
Operating Frequency		1227.60 ±1.023			1575.42 ±1.023		MHz	
VSWR	2.0							
Gain		1.2			3.1		dBi	
Axial Ratio			7.0			5.0	dB	@ ±40°
			10.0			8.6		@ 40° < q < 90° & @ -90° < q < -40°
Impedance	50						Ω	

*Above mentioned values are for the ground plane size of 70 x 70 mm with an adhesive tape on it

Environmental Specifications

Parameters	Description
Operating Temperature	-40 °C to +85 °C
Storage Temperature	-40 °C to +105 °C
Frequency Temperature Coefficient	20ppm/deg. °C
Humidity	90 % to 95 % R.H.

GPS L1 + L2 Stacked Ceramic Patch Antenna

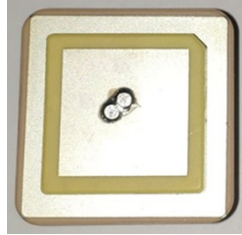


APAKM3513-SGL2

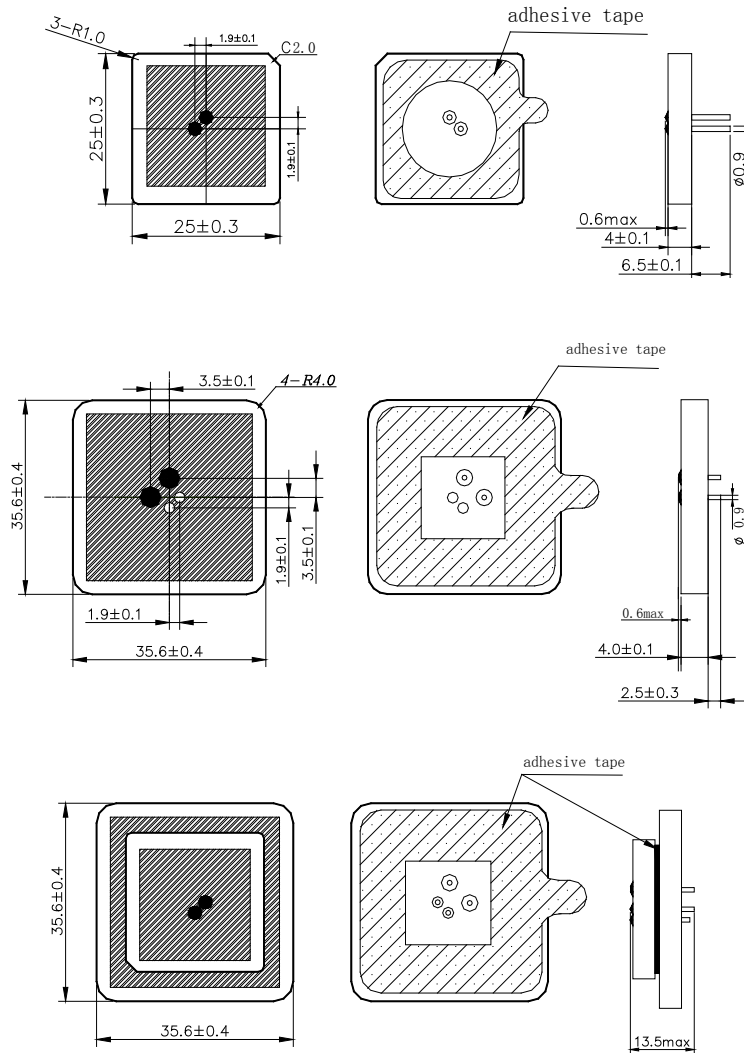


35.6 x 35.6 x 13.5 mm
 RoHS/RoHS II Compliant
 MSL = N/A: Not Applicable

Product Image



Product Dimensions



(Unit : mm)

GPS L1 + L2 Stacked Ceramic Patch Antenna

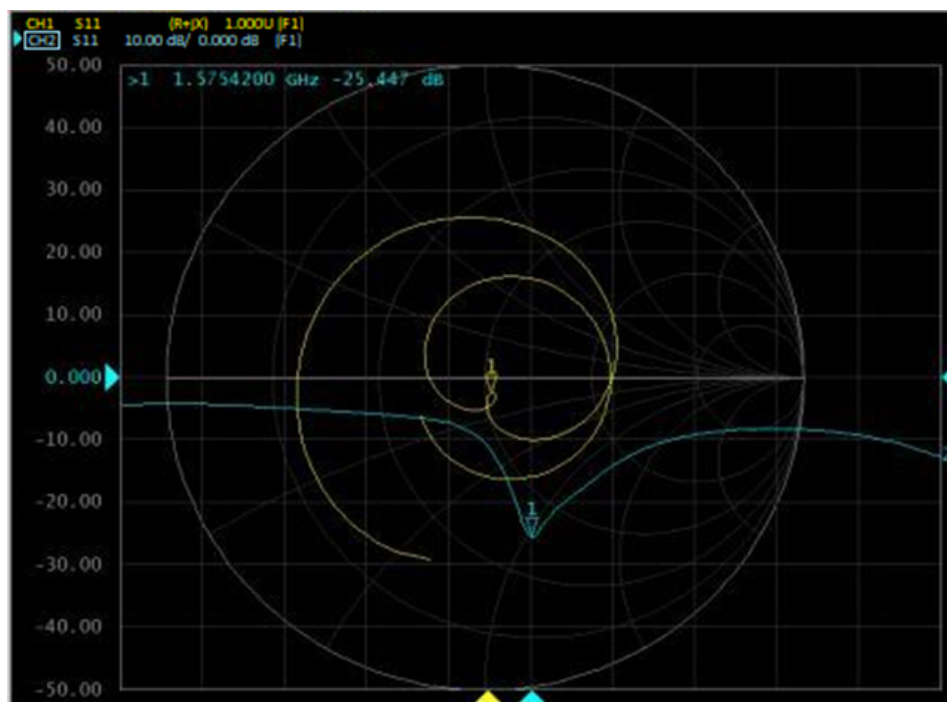
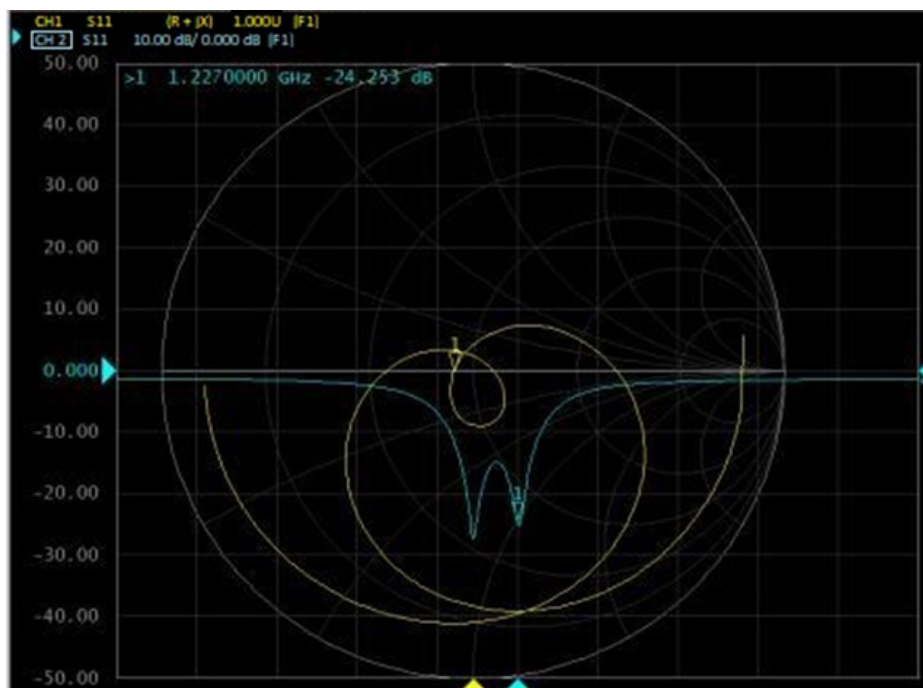


APAKM3513-SGL2



35.6 x 35.6 x 13.5 mm
RoHS/RoHS II Compliant
MSL = N/A: Not Applicable

Return Loss and Impedance Characteristics



GPS L1 + L2 Stacked Ceramic Patch Antenna



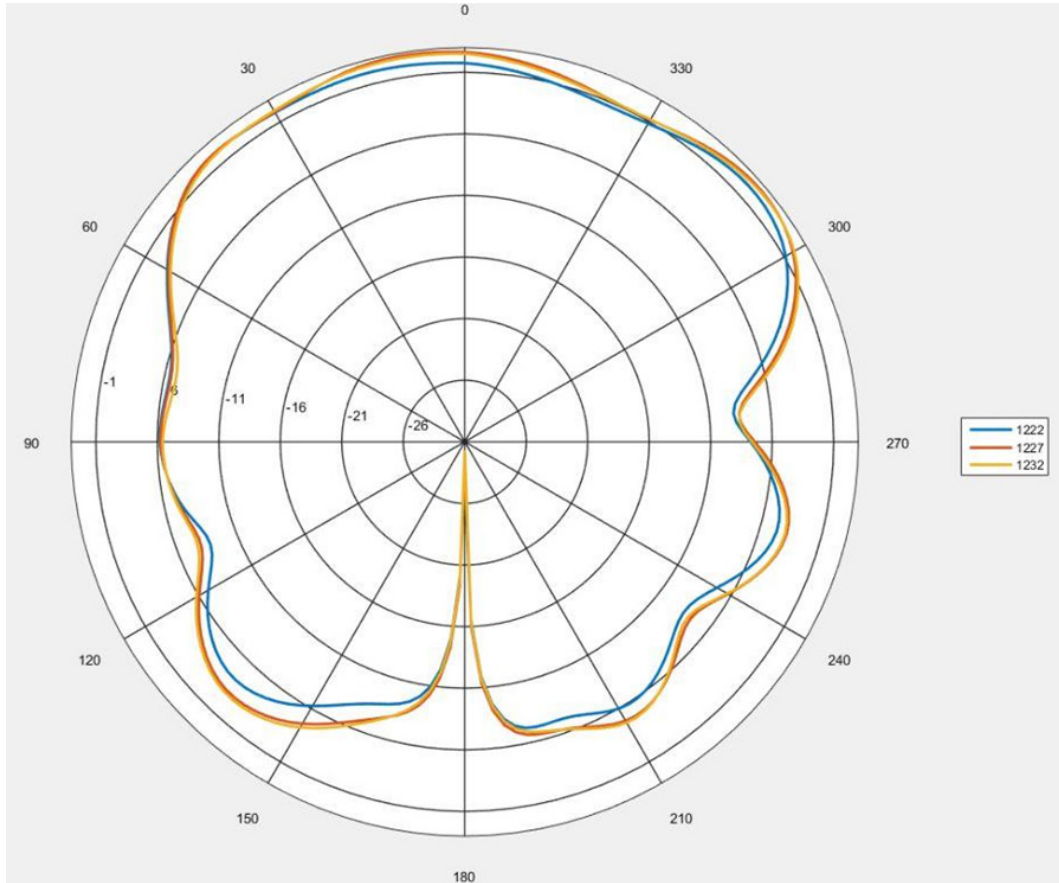
APAKM3513-SGL2



35.6 x 35.6 x 13.5 mm
RoHS/RoHS II Compliant
MSL = N/A: Not Applicable

Radiation Pattern

XZ Plane
Gain @ 1227 MHz



GPS L1 + L2 Stacked Ceramic Patch Antenna



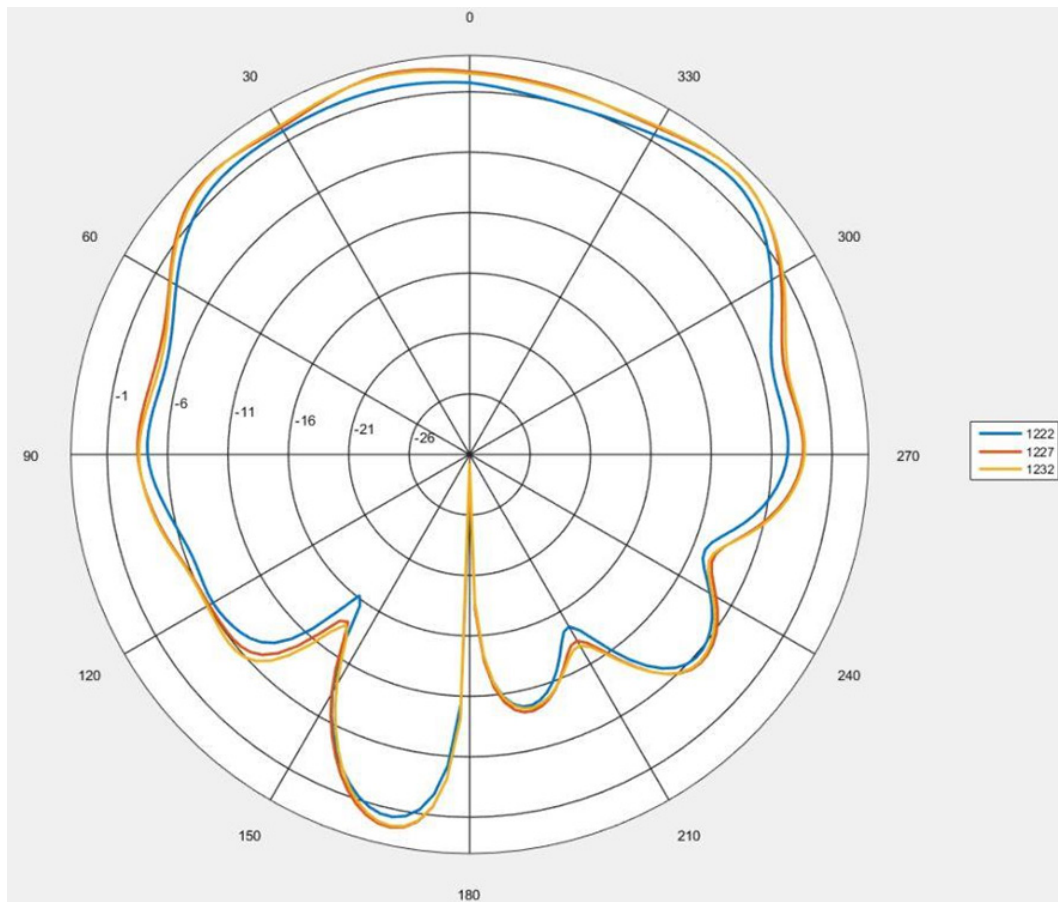
APAKM3513-SGL2



35.6 x 35.6 x 13.5 mm
RoHS/RoHS II Compliant
MSL = N/A: Not Applicable

Radiation Pattern

YZ Plane
Gain @ 1227 MHz



GPS L1 + L2 Stacked Ceramic Patch Antenna



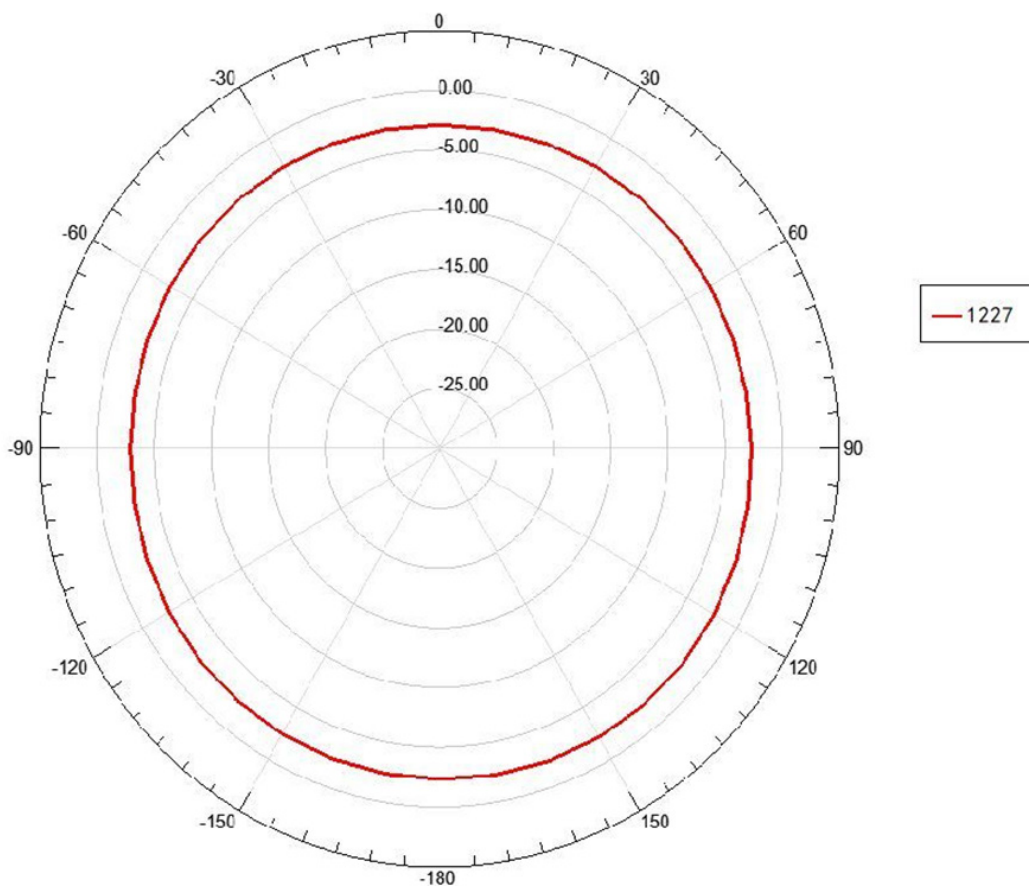
APAKM3513-SGL2



35.6 x 35.6 x 13.5 mm
RoHS/RoHS II Compliant
MSL = N/A: Not Applicable

Radiation Pattern

XY Plane



GPS L1 + L2 Stacked Ceramic Patch Antenna



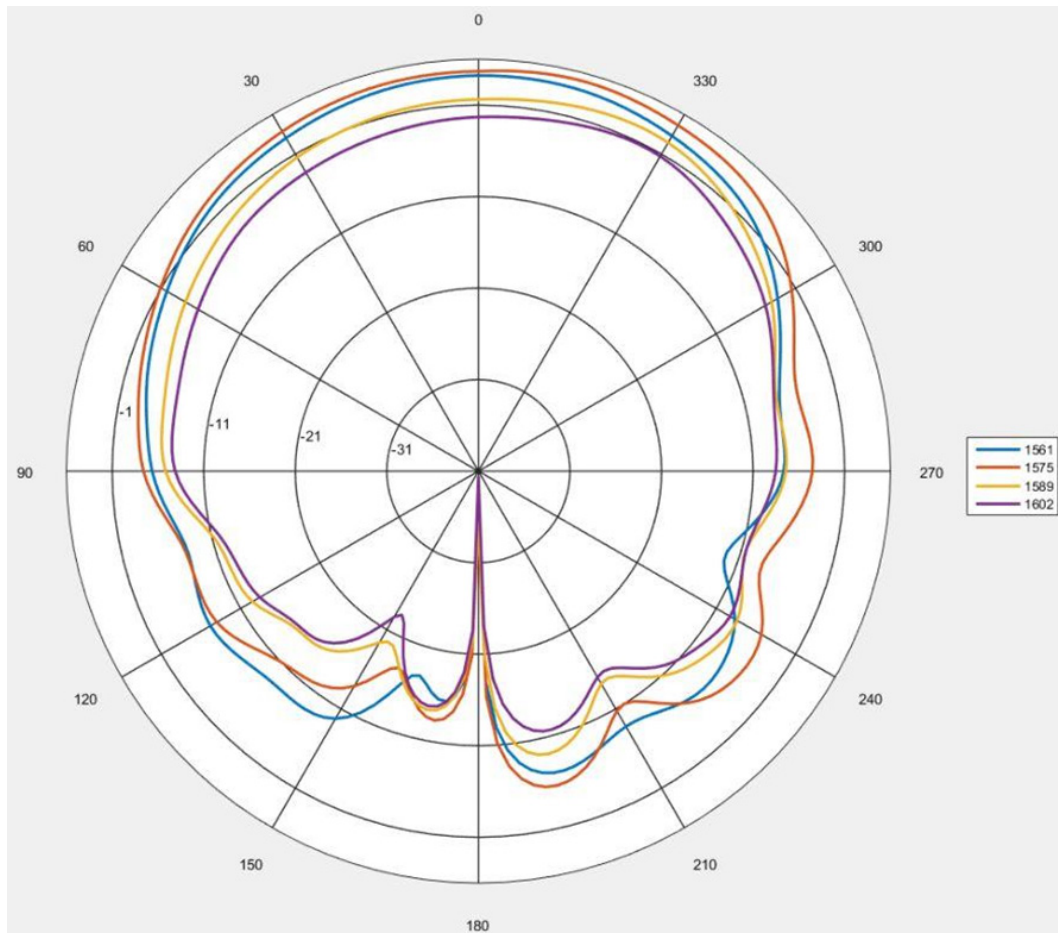
APAKM3513-SGL2



35.6 x 35.6 x 13.5 mm
RoHS/RoHS II Compliant
MSL = N/A: Not Applicable

Radiation Pattern

XZ Plane
Gain @ 1575 MHz



GPS L1 + L2 Stacked Ceramic Patch Antenna



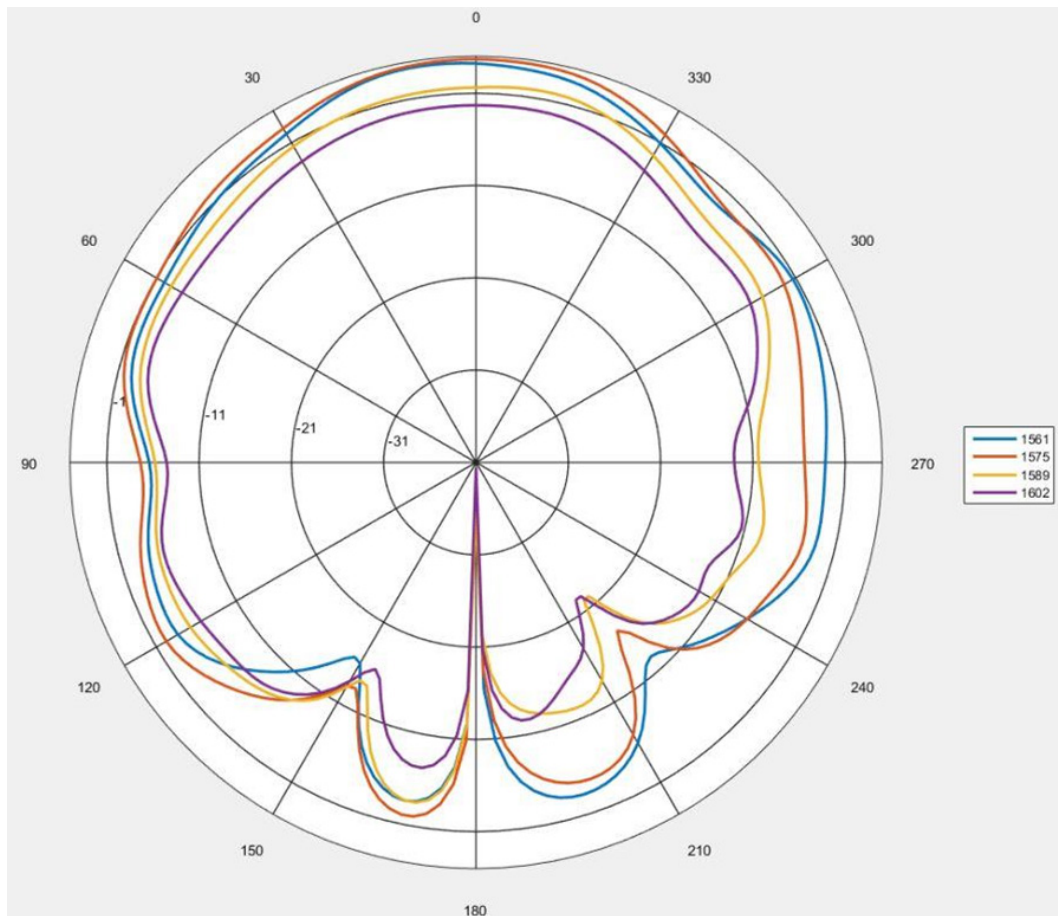
APAKM3513-SGL2



35.6 x 35.6 x 13.5 mm
RoHS/RoHS II Compliant
MSL = N/A: Not Applicable

Radiation Pattern

YZ Plane



GPS L1 + L2 Stacked Ceramic Patch Antenna



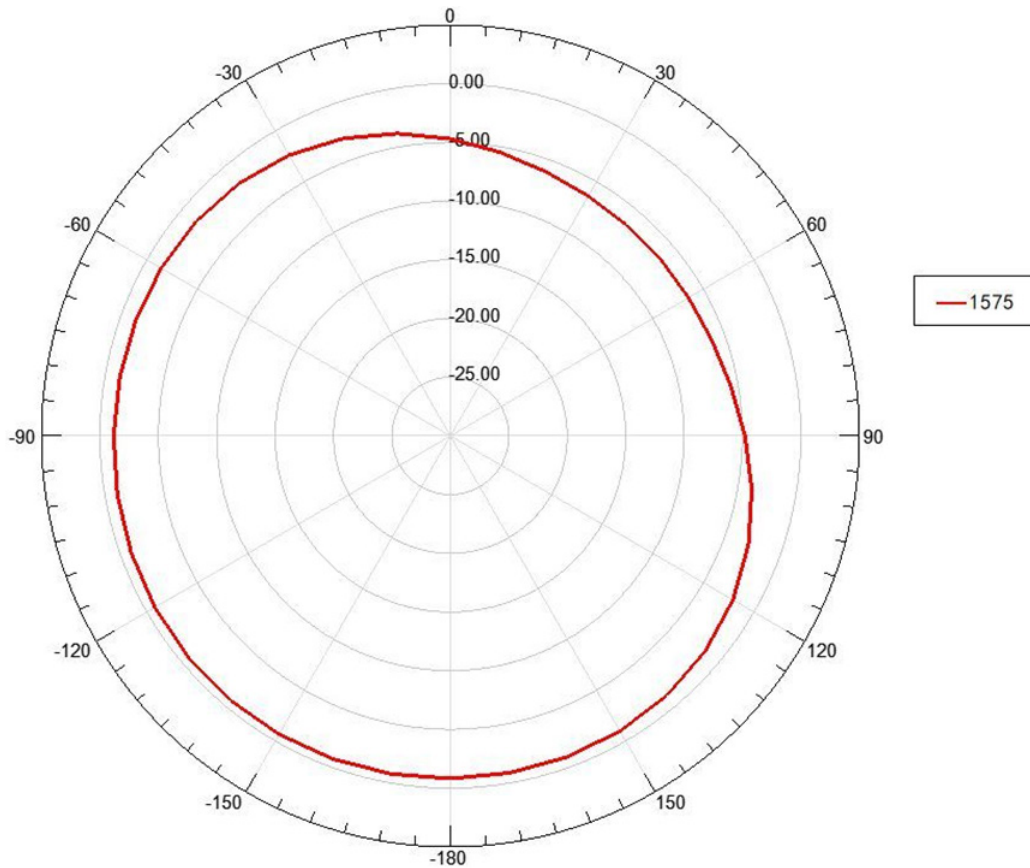
APAKM3513-SGL2



35.6 x 35.6 x 13.5 mm
RoHS/RoHS II Compliant
MSL = N/A: Not Applicable

Radiation Pattern

XY Plane



GPS L1 + L2 Stacked Ceramic Patch Antenna



APAKM3513-SGL2



35.6 x 35.6 x 13.5 mm
RoHS/RoHS II Compliant
MSL = N/A: Not Applicable

Radiation Pattern

3D Pattern
Gain @ 1227 MHz



GPS L1 + L2 Stacked Ceramic Patch Antenna



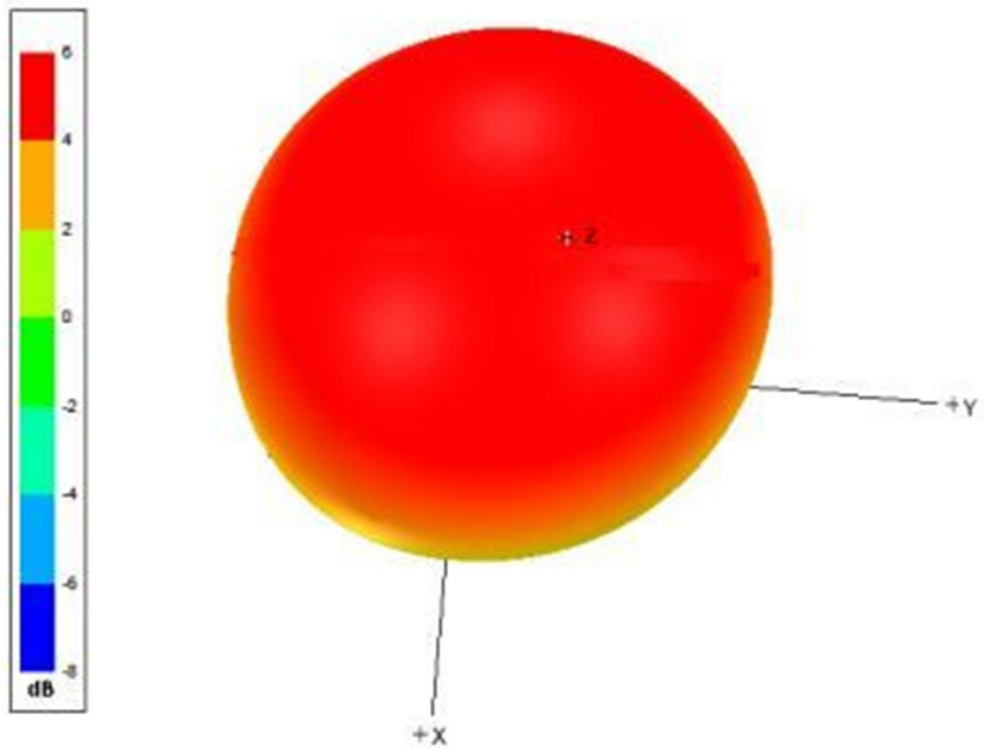
APAKM3513-SGL2



35.6 x 35.6 x 13.5 mm
RoHS/RoHS II Compliant
MSL = N/A: Not Applicable

Radiation Pattern

3D Pattern
Gain @ 1575 MHz



GPS L1 + L2 Stacked Ceramic Patch Antenna

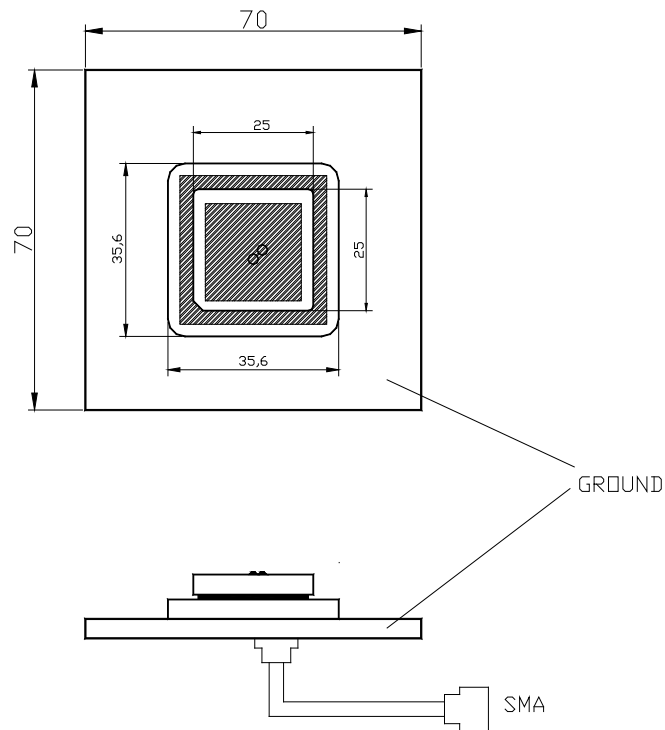


APAKM3513-SGL2



35.6 x 35.6 x 13.5 mm
RoHS/RoHS II Compliant
MSL = N/A: Not Applicable

Test Jig



GPS L1 + L2 Stacked Ceramic Patch Antenna



APAKM3513-SGL2



35.6 x 35.6 x 13.5 mm
 RoHS/RoHS II Compliant
 MSL = N/A: Not Applicable

Reliability Test

Item	Test Condition	Remark
Humidity Test	The device is subjected to 90% to 95% relative humidity $60^{\circ}\text{C} \pm 3^{\circ}\text{C}$ for 96 h to 98 h, then dry out at $25^{\circ}\text{C} \pm 5^{\circ}\text{C}$ and less than 65% relative humidity for 2 h to 4 h. After drying out, the device shall satisfy the specification in Table.1.	It shall fulfill the specifications in Table.1.
High Temperature Exposure	The device shall satisfy the specification in Table.1. after leaving at 105°C for 96 h to 98 h, provided it would be measured after 2 h to 4 h leaving in $25^{\circ}\text{C} \pm 5^{\circ}\text{C}$ and less than 65% relative humidity.	It shall fulfill the specifications in Table.1.
Low Temperature Exposure	The device shall satisfy the specification in Table.1. after leaving at -40°C for 96 h to 98 h, provided it would be measured after 2 h to 4 h leaving in $25^{\circ}\text{C} \pm 5^{\circ}\text{C}$ and less than 65% relative humidity.	It shall fulfill the specifications in Table.1.
Temperature Cycle	Subject the device to -40°C for 30 min followed by a high temperature of 105°C for 30 min cycling shall be repeated 5 times. At the room temperature for 1 h prior to the measurement.	It shall fulfill the specifications in Table.1.
Vibration	Subject the device to vibration for 2 h each in x, y and z axis with the amplitude of 1.5 mm, the frequency shall be varied uniformly between the limits of 10 Hz to 55 Hz.	It shall fulfill the specifications in Table.1.
Soldering Test	Lead terminals are heated up to $350^{\circ}\text{C} \pm 10^{\circ}\text{C}$ for 5 ± 0.5 s with brand iron and then element shall be measured after being placed in natural conditions for 1 h. No visible damage and it shall fulfill the specifications in Table.1.	It shall fulfill the specifications in Table.1.
Solder ability	Lead terminals are immersed in soldering bath of 260°C to 290°C for 3 ± 0.5 s. More than 95% of the terminal surface of the device shall be covered with fresh solder.	The terminals shall be at least 95% covered by solder.
Terminal Pressure Strength	A force of 2 kg is applied to each lead in axial direction for 10 ± 1 s (see drawing). No visible damage and it shall fulfill the specifications in Fig.1.	Mechanical damage such as breaks shall not occur.

Fig. 1

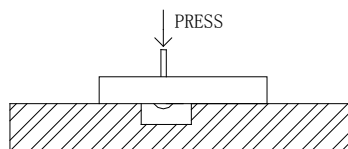


Table 1

Item	Specification After Test (MHz)
Center Frequency change	± 2.0

GPS L1 + L2 Stacked Ceramic Patch Antenna



APAKM3513-SGL2



35.6 x 35.6 x 13.5 mm
RoHS/RoHS II Compliant
MSL = N/A: Not Applicable

Packaging

A package has 144 antenna elements.

Package Type	Quantity
1 Package base	18 Antennas
1 Vacuum bag	2 Package bases
1 Inner box	1 Vacuum bag
1 Package	4 Inner boxes

ATTENTION: Abracon LLC's products are COTS – Commercial-Off-The-Shelf products; suitable for Commercial, Industrial and, where designated, Automotive Applications. Abracon's products are not specifically designed for Military, Aviation, Aerospace, Life-dependent Medical applications or any application requiring high reliability where component failure could result in loss of life and/or property. For applications requiring high reliability and/or presenting an extreme operating environment, written consent and authorization from Abracon LLC is required. Please contact Abracon LLC for more information.



5101 Hidden Creek Ln Spicewood TX 78669
Phone: 512-371-6159 | Fax: 512-351-8858
For terms and conditions of sales, please visit:
www.abracon.com

REVISED: 06-13-19

ABRACON IS
ISO9001-2015
CERTIFIED

Mouser Electronics

Authorized Distributor

Click to View Pricing, Inventory, Delivery & Lifecycle Information:

[ABRACON:](#)

[APAKM3513-SGL2](#)