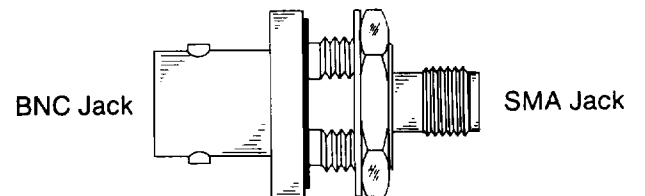
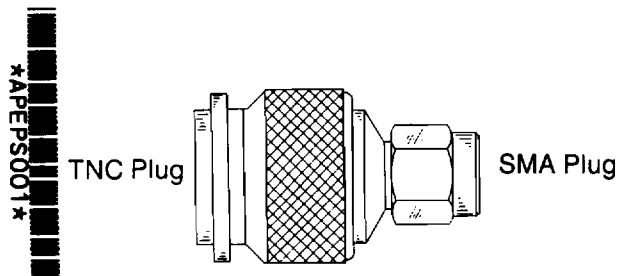
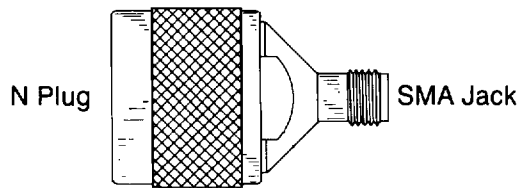
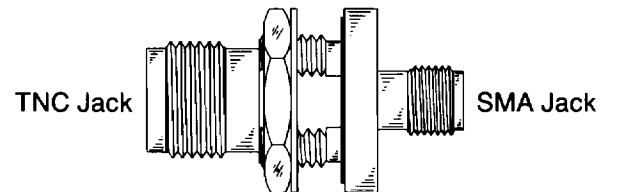
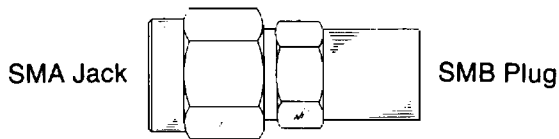


Precision SMA

adapters

BETWEEN SERIES



APEPS001



APPLIED ENGINEERING PRODUCTS

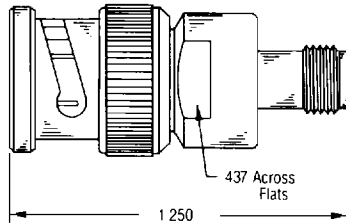
P. O. BOX 510
NEW HAVEN, CONN. 06513

(203) 776-2813
FAX (203) 776-8294

sma

ADAPTERS

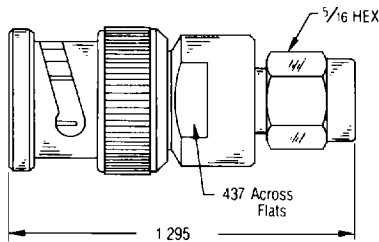
bnc



BNC Plug to SMA Jack

5400-9503-000

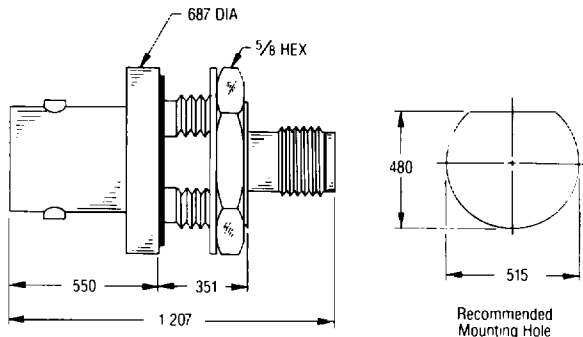
BNC body: Nickel plated brass
SMA body: Passivated stainless steel
Frequency range: DC – 11 Ghz



BNC Plug to SMA Plug

5401-9503-000

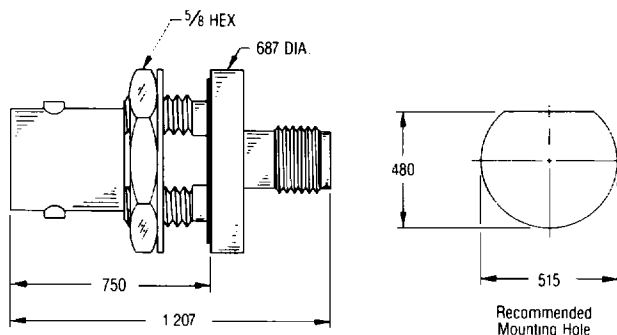
BNC body: Nickel plated brass
SMA body: Passivated stainless steel
Frequency range: DC – 11 Ghz



Bulkhead mounted
BNC Jack to SMA Jack
(BNC front of panel)

5530-9503-000

BNC body: Nickel plated brass
SMA body: Passivated stainless steel
Frequency range: DC – 11 Ghz



Bulkhead mounted
BNC Jack to SMA Jack
(SMA front of panel)

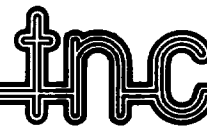
5500-9503-000

BNC body: Nickel plated brass
SMA body: Passivated stainless steel
Frequency range: DC – 11 Ghz





ADAPTERS

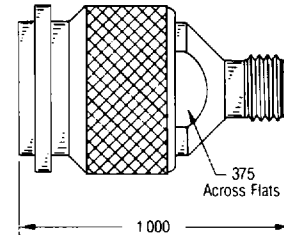


TNC Plug to SMA Jack

5300-9503-000

Passivated stainless steel

Frequency range: DC – 18 Ghz

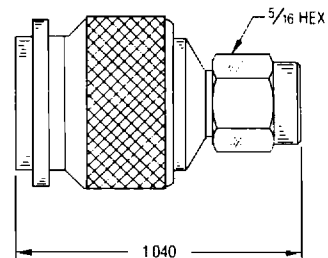


TNC Plug to SMA Plug

5301-9503-000

Passivated stainless steel

Frequency range: DC – 18 Ghz



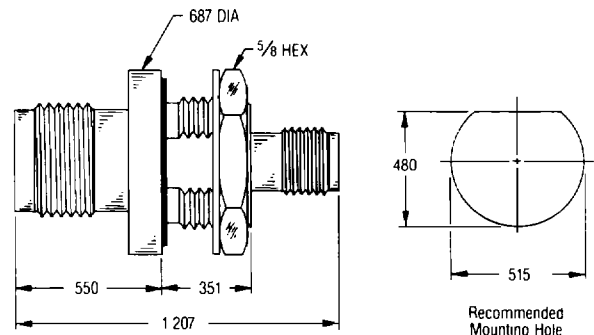
Bulkhead mounted

TNC Jack to SMA Jack (TNC front of panel)

5125-9503-000

Passivated stainless steel

Frequency range: DC – 18 Ghz



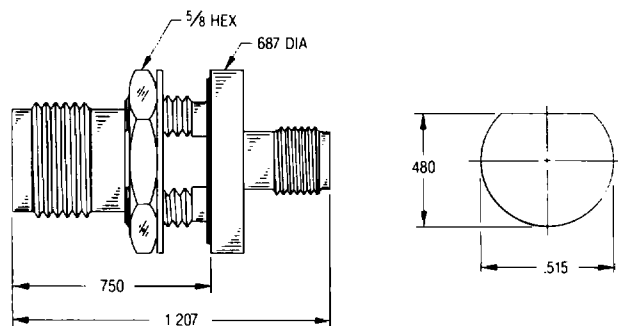
Bulkhead mounted

TNC Jack to SMA Jack (SMA front of panel)

5126-9503-000

Passivated stainless steel

Frequency range: DC – 18 Ghz



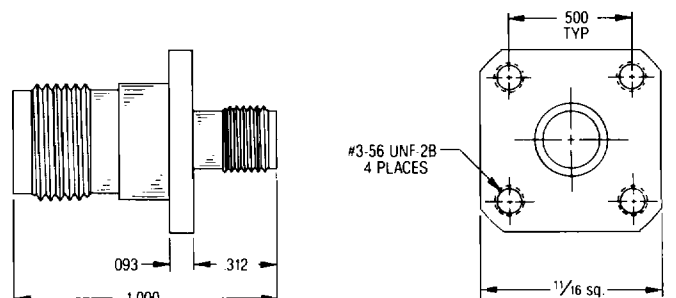
Flange mounted

TNC Jack to SMA Jack

5127-9503-000

Passivated stainless steel

Frequency range: DC – 18 Ghz



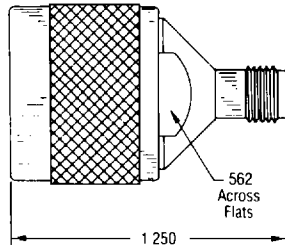
APPLIED ENGINEERING PRODUCTS

P. O. BOX 510
NEW HAVEN, CONN. 06513

(203) 776-2813
FAX (203) 776-8294



ADAPTERS

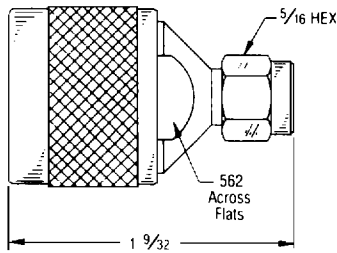


N Plug to SMA Jack

5000-9503-000

Passivated stainless steel

Frequency range: DC – 18 Ghz

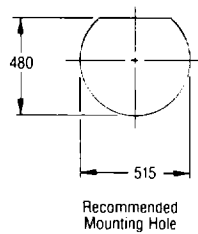
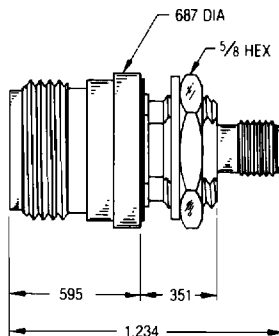


N Plug to SMA Plug

5001-9503-000

Passivated stainless steel

Frequency range: DC – 18 Ghz



Bulkhead mounted

N Jack to SMA Jack (N front of panel)

5622-9503-000

Passivated stainless steel

Frequency range: DC – 18 Ghz





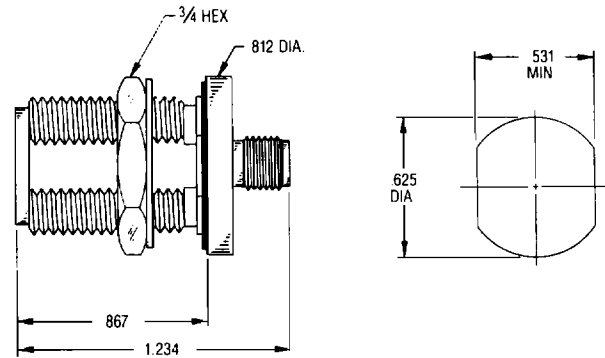
ADAPTERS



Bulkhead mounted
N Jack to SMA Jack
(SMA front of panel)

5623-9503-000

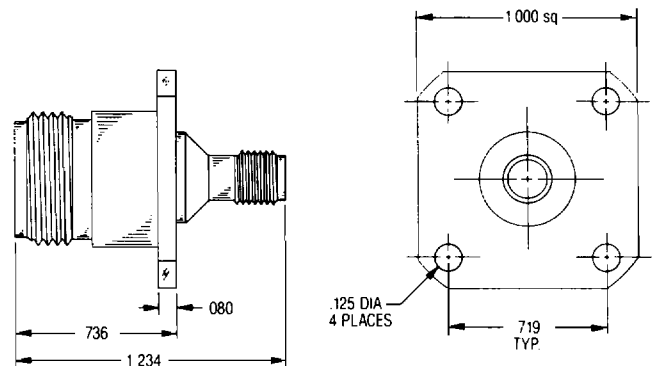
Passivated stainless steel
Frequency range: DC – 18 Ghz



Flange mounted
N Jack to SMA Jack

5624-9503-000

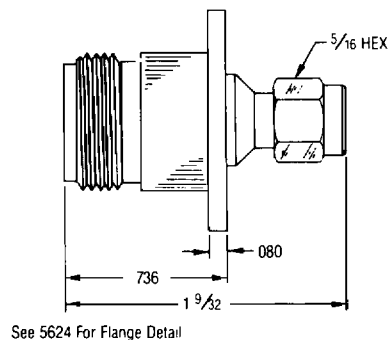
Passivated stainless steel
Frequency range: DC – 18 Ghz



Flange mounted
N Plug to SMA Plug

5625-9503-000

Passivated stainless steel
Frequency range: DC – 18 Ghz



APPLIED ENGINEERING PRODUCTS

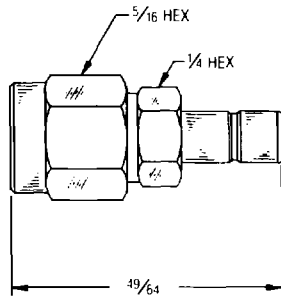
P. O. BOX 510
NEW HAVEN, CONN. 06513

(203) 776-2813
FAX (203) 776-8294

sma

ADAPTERS

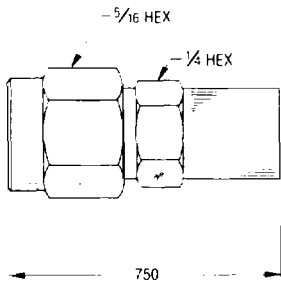
smb



SMA Plug to SMB Male Jack

5928-9503-000

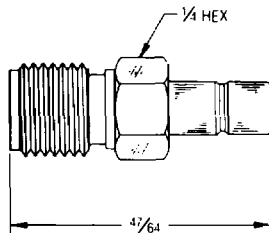
Passivated stainless steel
Frequency range: DC - 4 Ghz



SMA Plug to SMB Female Plug

5927-9503-000

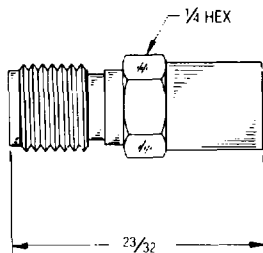
Passivated stainless steel
Frequency range: DC - 4 Ghz



SMA Jack to SMB Male Jack

5926-9503-000

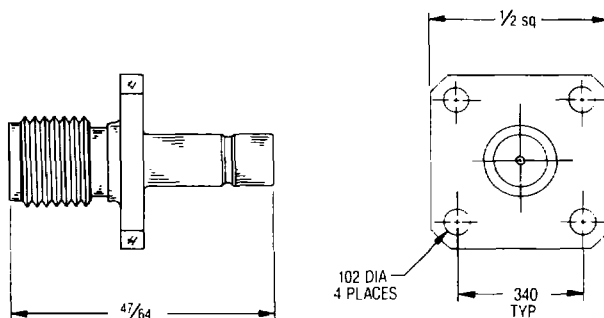
Passivated stainless steel
Frequency range: DC - 4 Ghz



SMA Jack to SMB Female Plug

5925-9503-000

Passivated stainless steel
Frequency range: DC - 4 Ghz



Flange mounted
SMA Jack to SMB Male Jack

5929-9503-000

Passivated stainless steel
Frequency range: DC - 4 Ghz





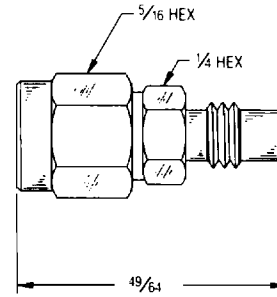
ADAPTERS



SMA Plug to SMC Male Jack

5933-9503-000

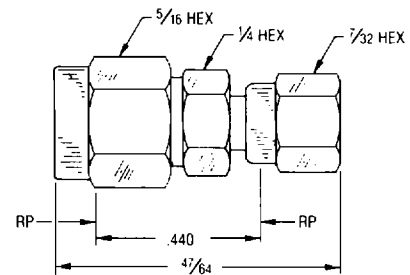
Passivated stainless steel
Frequency range: DC – 18 Ghz



SMA Plug to SMC Female Plug

5932-9503-000

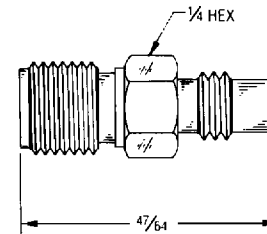
Passivated stainless steel
Frequency range: DC – 18 Ghz



SMA Jack to SMC Male Jack

5931-9503-000

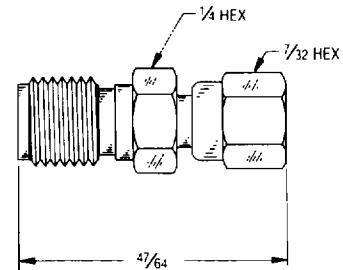
Passivated stainless steel
Frequency range: DC – 18 Ghz



SMA Jack to SMC Female Plug

5930-9503-000

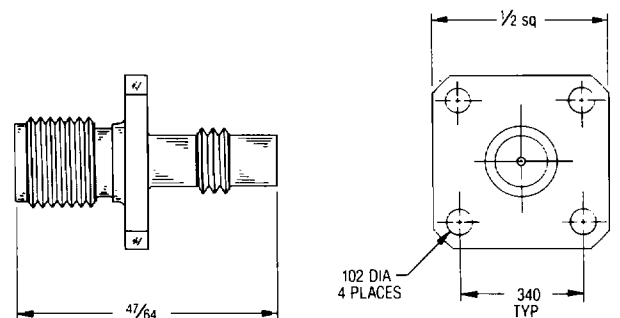
Passivated stainless steel
Frequency range: DC – 18 Ghz



Flange mounted SMA Jack to SMC Male Jack

5934-9503-000

Passivated stainless steel
Frequency range: DC – 18 Ghz



APPLIED ENGINEERING PRODUCTS

P. O. BOX 510
NEW HAVEN, CONN. 06513

(203) 776-2813
FAX (203) 776-8294

Subminiature Coaxial Connectors from AEP

The precision adapters shown in this brochure are only the latest addition to our product line. See our full-line catalogue for information on our thousands of varieties of subminiature coaxial connectors and cable assemblies, including:

SMA AEP SMA connectors meet or exceed all requirements of MIL-C-39012. They are available in a wide variety of configurations for flexible or semi-rigid cable. We make receptacles for panel, bulkhead, P.C. board, stripline, and microstrip mounting. Our unique method of captivating contacts and insulators greatly reduces RF leakage by eliminating epoxy fill holes in the connector bodies. In addition, we have a complete line of launchers for use with hermetically sealed MIC packages.

SMB/SMC SMB (Snap-on) and SMC (Screw-on) connectors meet or exceed all requirements of MIL-C-39012. These low-cost connectors are available with crimp or clamp termination for flexible cable or solder-clamp for semi-rigid. Our many varieties of receptacles for bulkhead, panel, P.C. Board, and stripline mounting provide design versatility. Nickel plated units are readily available for significant cost savings.

SSMB and SSMC microminiature connectors have a mating design similar to SMB and SMC, but with overall size reduced by one-third. Their small size and snap-on mating make them ideal for use in confined areas where the use of wrenches is not practical. These rugged little connectors can withstand hundreds of mating cycles and still perform like new.

75 ohm connectors for matched impedance in critical applications. These connectors are available with screw-on or snap-on interfaces, similar to SMC and SMB series.

SLB series connectors are slide-on versions of SMB connectors. Their low insertion force makes them ideal for multiple use in rack and panel applications. They are available with float mounts and closed entry hoods to prevent damage from angular misalignment during mating.

Cable Terminations are useful for terminating cables to bulkheads or printed circuit boards in applications not requiring disconnection. Use of cable terminations also eliminates the expense of a pair of connectors.

Adapters within and between series are handy items for laboratory or front panel use. See our full-line catalogue for configurations.

Precision Type N Plug for .141 semi-rigid cable. Our P/N 4000-1563-009 features easy one-step assembly, and has VSWR less than 1.20:1 to 18 GHz.

Flexible Cable Assemblies are easier and less expensive to buy from us than to make yourself. We make assemblies with any size cable from RG 196 up to RG 214, with any connectors. A group of standard assemblies is shown in our full-line catalogue.

Semi-rigid Cable Assemblies custom made to your specifications, with cable ranging in size from .085" up to .250" diameter. We build our own bending and trimming machinery to ensure quality and consistency.



APPLIED ENGINEERING PRODUCTS

P. O. BOX 510
NEW HAVEN, CONN. 06513

(203) 776-2813
FAX (203) 776-8294

Mouser Electronics

Authorized Distributor

Click to View Pricing, Inventory, Delivery & Lifecycle Information:

Radial:

[5928-9503-000](#)