

## Data sheet

Art.No.: 96.052.4053.1

Connector RST20i5S S1 ZR1 V SW

RST 20i5 connector, 5 pole, male, screw connection, application 250/400V with PE, 20A, for cable diameters 6-10mm, coding color black, color of housing black



Art.No.	96.052.4053.1
EAN	4015573862128
Order Unit	1

Certificates / Approvals



## Technical data

### General

Rated current	20 A
Rated voltage	250 V / 400 V
Rated impulse voltage	4 kV
strain relief	Yes
Pollution degree	3
Lockable	self-locking (unlocking by tool)
Color of coding/ contact carrier	black
Marking of poles	1, 2, 3, N, PE
Color of housing inclusive strain relief	black

### Connection Data

Cable diameter max.	10 mm
Cable diameter min.	6 mm
Connection cross section solid mm <sup>2</sup> max.	4 mm <sup>2</sup>
Connection cross section solid mm <sup>2</sup> min.	0.75 mm <sup>2</sup>
Connection cross section fine stranded mm <sup>2</sup> max.	4 mm <sup>2</sup>
Connection cross section fine stranded mm <sup>2</sup> min.	0.75 mm <sup>2</sup>
Terminations per pole	1
Connection cross section stranded mm <sup>2</sup> min.	0.75 mm <sup>2</sup>
Connection cross section stranded mm <sup>2</sup> max.	4 mm <sup>2</sup>
sheath strip length	26.5 mm
Wire strip length	8 mm

### Model

Model	male
Connection type	Screw connection

Degree of protection (IP)	IP66/68 (3m;2h) /IP69
---------------------------	-----------------------

**Material**

Housing material	Polyamide
halogen free	Yes
Contact material	CuZn
Fire load	0.284 kWh
Insulation components continuous temperature	100 °C
Surface finish	Silver-plated

**Dimensions**

Length	78.4 mm
Width	34.6 mm
Height	34.6 mm

**Classification**

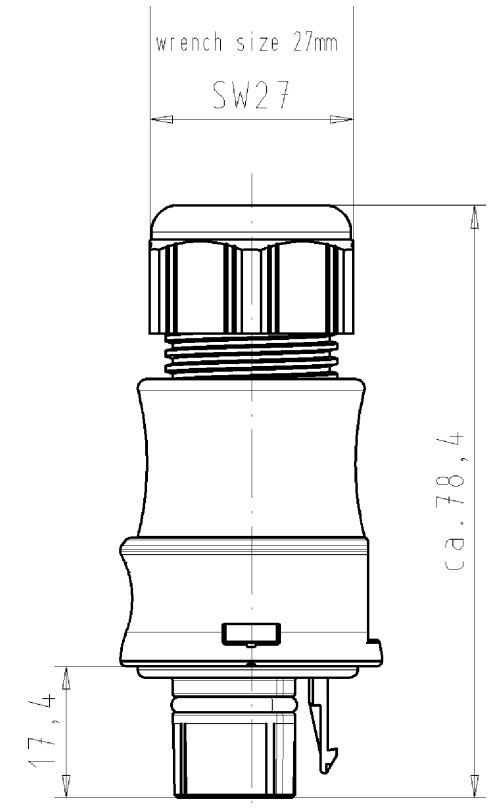
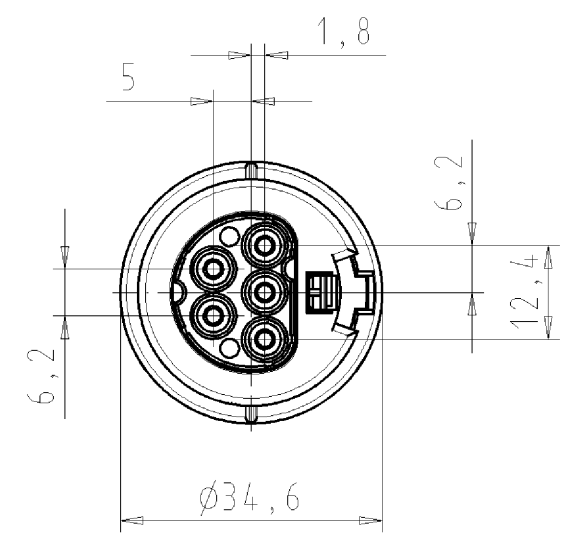
ECLASS 8.1	27440605
ETIM 7.0	EC002560
ETIM 6.0	EC002560
ETIM 5.0	EC002560
ETIM 4.0	EC002560

**Note**

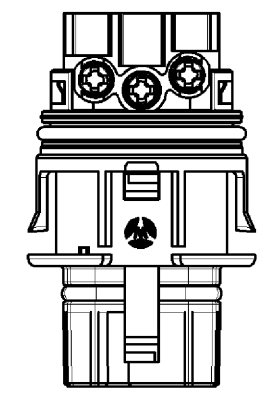
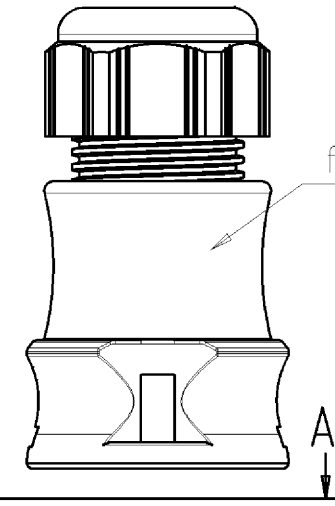
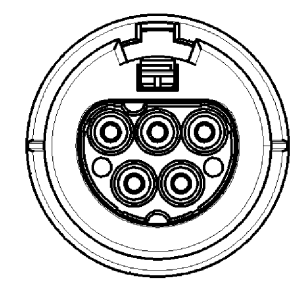
Note	fine-stranded and stranded wires have to be used without ferrules
------	---

These dimensions will be especially checked at delivery  
Only inspection dimensions  
With /E marked dimensions are only valid for internal use

Diese Maße werden bei Abnahme besonders geprüft  
Ausschließlich Prüfmaße  
Mit /E gekennzeichnete Maße sind nur für interne Zwecke gültig



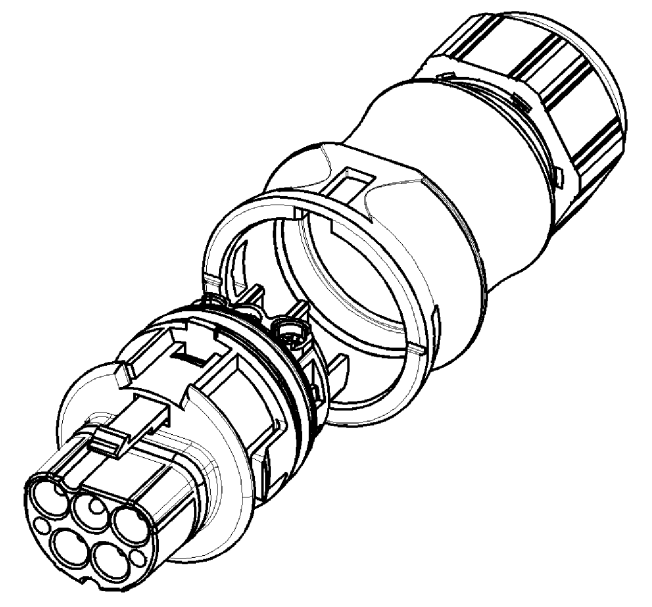
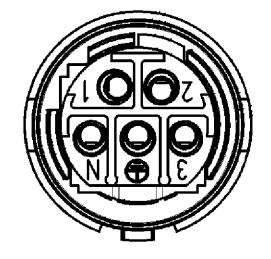
### Auslieferungszustand delivery status



for cable diameter 6-10mm  
für Kabeldurchm. 6-10mm

Verpackungseinheit: je 100 Stück  
packaging unit: per 100

A-A



Weitergabe sowie Vervielfältigung dieses Dokuments, Verwertung und Mitteilung seines Inhalts sind verboten, soweit nicht ausdrücklich gestattet.  
The reproduction, distribution and utilization of this document as well as the communication of its contents to others without express authorization is prohibited.

Teile-Nr./ part-nr.	Farbe:/ color:	Type
96.052.4053.1	schwarz, ähnl. RAL 9005/ black, similar to RAL 9005	RST2015S S1 ZR1 V SW
96.052.4053.0	lichtgrau, ähnl. RAL 7035/ lightgrey, similar to RAL 7035	RST2015S S1 ZR1 V GL

Tolerierung nach DIN 7167/Tolerance system acc. to DIN 7167. (This DIN-standard describes the envelope principle. According to the envelope principle the deviations of form and parallelism are limited by the size tolerances).		nein/no <input checked="" type="checkbox"/> Stoffverbots- und Deklarationsliste nach UU-TQM-05/03 ist einzuhalten. Conformity with Wieland document UU-TQM-05/03 (list of prohibited / declarable hazardous substances) to be declared!	
Freitoleranz nach General tolerance	CAD - Zeichnung, keine manuellen Änderungen CAD - drawing, no manual modifications allowed	1. Verwendung: First Use:	Blatt: 1 von 1 Sheet: of 1
Werkstoff/Material	2005 Tag/Date Name	Zeichnung Nr./Drawing No.	
Maßstab/Scale 1:1	gezeichnet/drawn 24.08. geprüft/checked Kneitz Ningepf. Stand. check	T	96.052.4053.0 01K a
Vol. mm <sup>3</sup> Ofl./Surf. mm <sup>2</sup>	Ersatz für/Replacement for: -		
Index	02.12.2005/ Datum / Blatt Date / Sheet	Maße in mm/Dimensions are in mm	
Änderung/Revision	wieland Elektrische Verbindungen	Type siehe Tabelle	Benennung/Title <b>STECKERTEIL MIT ZUGENTLASTUNG</b> male connector with cord grip Schraubenschluß ohne Drahtschutz/screw-connection without wire protection Standardkodierung 0/standard-keying 0 (250V/400V/20A)

960524053001K\_4\_CADW1019\_Kneitz 2005-12-02T13:13:45 1.000 QU-PEM-08/91