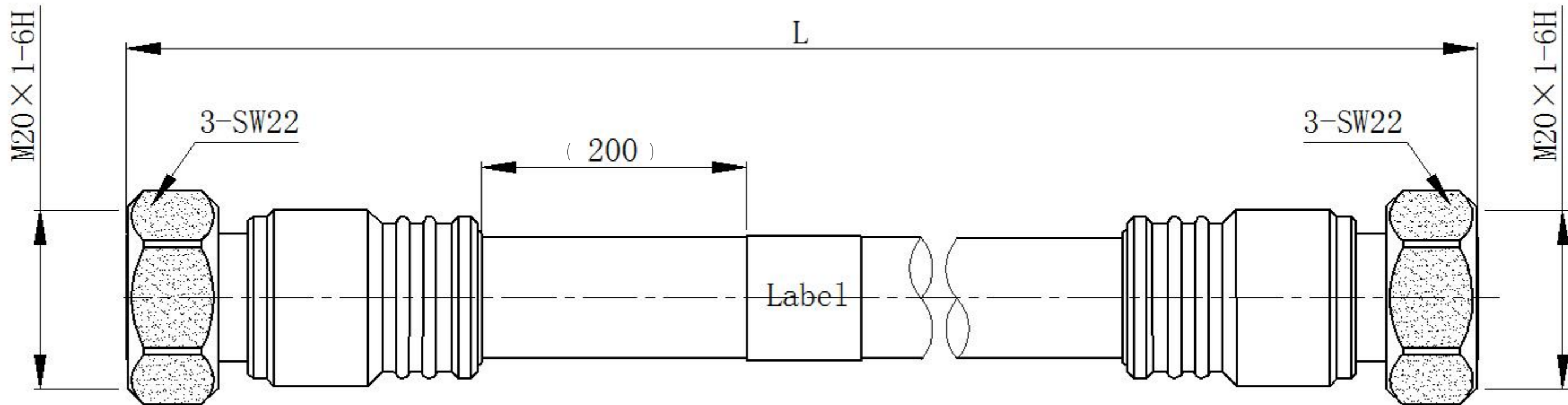


ELECTRICAL	MECHANICAL	ENVIRONMENTAL
IMPEDANCE <u>50 Ohm</u> FREQUENCY RANGE <u>DC to 6GHz</u>	MATING CYCLES: <u>MIN. 100 cycles</u> RECOMMEND TORQUE: <u>5Nm</u> BENDING RADIUS: <u>SINGLE 17mm</u> <u>REPEATED 55mm</u>	TEMPERATURE RANGE: <u>-40°~+85°C</u> SALT SPRAY: <u>96H</u>
DIELECTRIC WITHSTAND VOLTAGE: <u>MAX. 2500 V RMS</u>	CABLE PULLING: <u>MIN. 500N</u>	INTERFACE SEAL: <u>IP68(1m, 24h) MATED</u>
INSULATION RESISTANCE: <u>MIN. 5000 Mohms</u> PIM3: <u>Max. -160dBc @2x20W(43dBm),</u> <u>and 900MHz, 1800MHz, 2100MHz</u>	CABLE TORSION: <u>MIN. 5N.m</u>	


P	LTR	DESCRIPTION	DATE	DWN	APVD



P/N	"L"	INSERTION LOSS	VSWR
2081975-1	1000+/-10	≤ 0.39dB@0-3GHZ ≤ 0.59dB@3-6GHZ	≤ 1.15@0-3GHZ ≤ 1.20@0-6GHZ

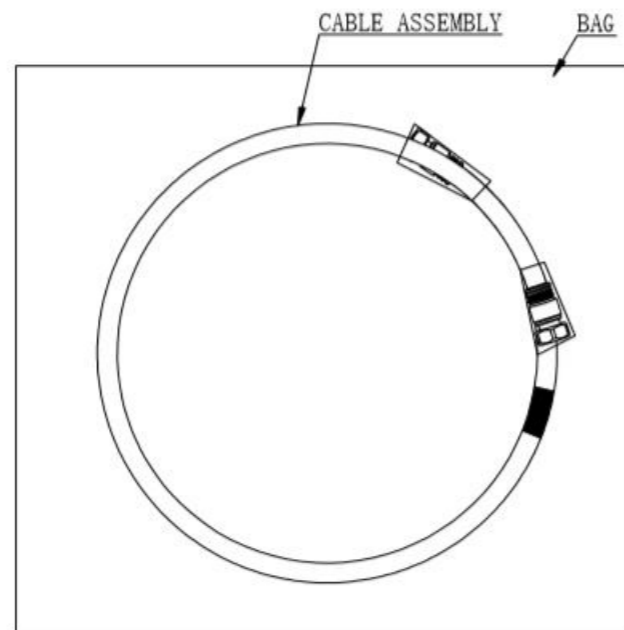
ITEM	BOM	PART NAME	MATERIAL	PLATING
1	CONNECTOR (x2)	CENTER CONTACT	BRASS	SILVER
		OUTER CONTACT	BRASS	WHITE BRONZE
		INSULATOR	PTFE	
		O-RING	SILICONE RUBBER	
		OTHERS	BRASS	NICKEL
2	CABLE	1/2" SUPERFLEX CABLE WITH BLACK PE JACKET		
3	MOLDING	BLACK PE		
4	LABEL	WRAP STICK TYPE		

THIS DRAWING IS A CONTROLLED DOCUMENT.

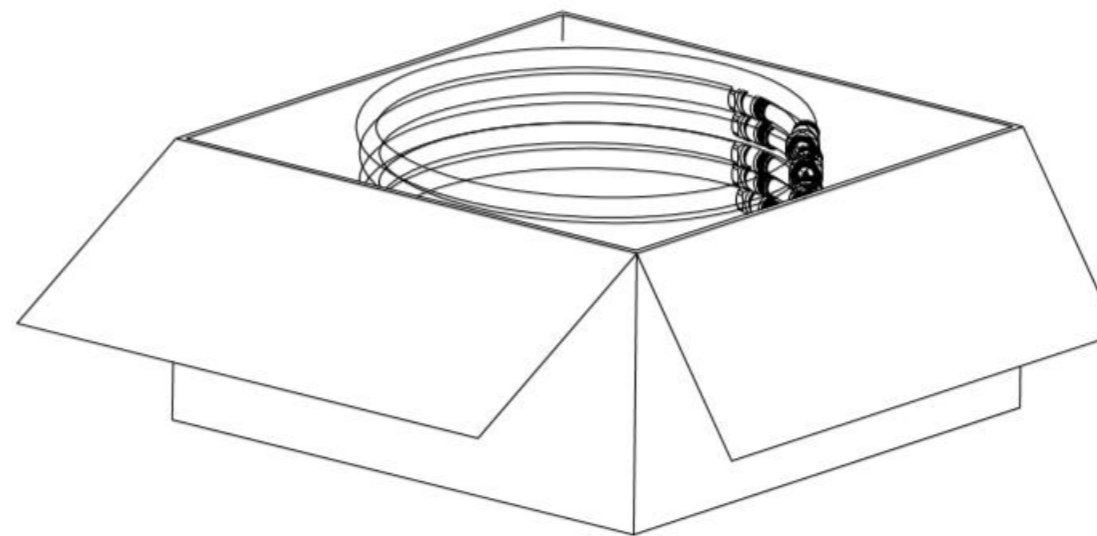
DWN JZ	10MAR2020	 TE Connectivity	NAME CABLE ASSEMBLY 4.3-10 STR PLUG TO 4.3-10 STR PLUG WITH 1/2 SUPERFLEX CABLE		
CHK RZ	10MAR2020				
APVD RS	10MAR2020				
PRODUCT SPEC	108-115175				
APPLICATION SPEC	-	SIZE	CAGE CODE	DRAWING NO	RESTRICTED TO
WEIGHT	215g	A3	00779	©-2081975	-
CUSTOMER DRAWING		SCALE	1:1	SHEET	1 OF 2
					REV
					A

REVISIONS

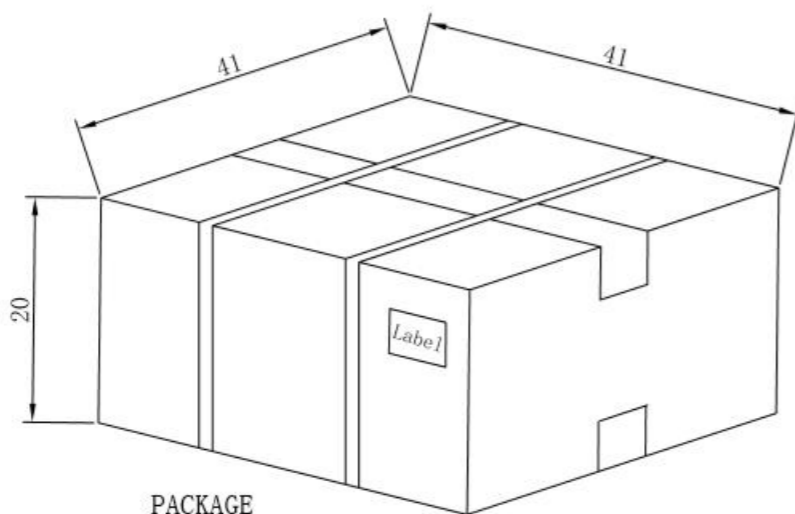
P	LTR	DESCRIPTION	DATE	DWN	APVD



ONE BAG FOR EACH CABLE ASSEMBLY



OUTER BOX (22PCS/BOX)



PACKAGE

(BOX SIZE ONLY FOR REFERENCE, UNIT: CM)

THIS DRAWING IS A CONTROLLED DOCUMENT.		DWN JZ	10MAR2020		
		CHK RZ	10MAR2020		
		APVD RS	10MAR2020	NAME CABLE ASSEMBLY	
		PRODUCT SPEC 108-115175		4.3-10 STR PLUG TO 4.3-10 STR PLUG WITH 1/2 SUPERFLEX CABLE	
		APPLICATION SPEC -		SIZE A3	CAGE CODE 00779
		WEIGHT 230g		DRAWING NO C-2081975	RESTRICTED TO -
MATERIAL SEE TABLE		FINISH SEE TABLE		SCALE 1:1	SHEET 2 OF 2
		CUSTOMER DRAWING		REV A	

DIMENSIONS: mm		TOLERANCES UNLESS OTHERWISE SPECIFIED:	
		0 PLC	±0.3
		1 PLC	±0.2
		2 PLC	±0.2
		3 PLC	±0.2
		4 PLC	±0.2
ANGLES		±	
MATERIAL SEE TABLE		FINISH SEE TABLE	

Mouser Electronics

Authorized Distributor

Click to View Pricing, Inventory, Delivery & Lifecycle Information:

[TE Connectivity:](#)

[2081975-1](#)