

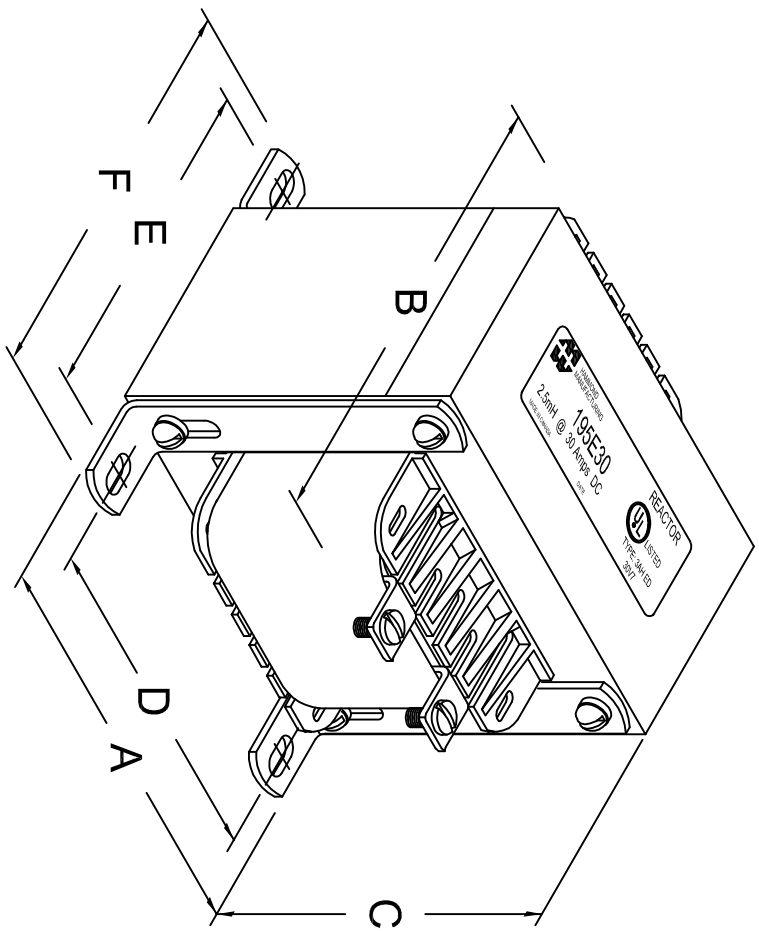
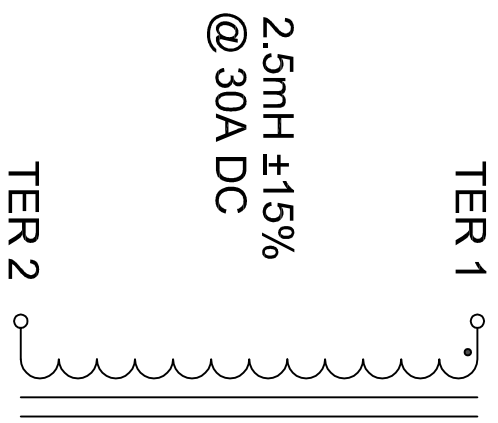
DIMENSIONS:	
A	4.50" ±0.063
B	5.25" MAX.
C	3.75" ±0.063
D	3.75" ±0.063
E	3.50" ±0.063
F	4.00" ±0.063
G	0.203" X 0.375" ±0.015

LABEL:


**HAMMOND MANUFACTURING**  
 195E30  
 2.5mH @ 30Amps DC  
MADE IN CANADA DATE CODE  


**REACTOR LISTED**  
 TYPE 3AH ED 30V7

SCHEMATIC:



PROPERTY AND COPYRIGHT NOTICE  
 THIS DRAWING AND THE INFORMATION IT CONVEYS ARE THE PROPERTY OF HAMMOND MANUFACTURING. IT MAY NOT BE REPRODUCED, TRANSMITTED OR USED IN ANY MANNER WHATSOEVER WITHOUT THE WRITTEN PERMISSION OF HAMMOND MANUFACTURING.

REV.#	REVISION	DATE
0	RELEASED.	09/26/2016


**HAMMOND MANUFACTURING**  
 DWG. BY: G. GRAY  
 DATE: 09/26/2016  
 CHK'D BY: C. BACK  
 APP'D. BY: D. HUTT  
 DIMENSIONS: IN( ) MM( )

**ELECTRONIC DIVISION**  
 52 RANKIN PLACE,  
 WATERLOO, ONTARIO, N2J 3Z5  
 TITLE: HIGH CURRENT INDUCTOR  
 PH # (519) 886-6181  
 FAX # (519) 886-9540  
 DWG. NO. 195E30

TESTS	CONDITIONS	ACCEPTANCE CRITERIA
lex	@ 5.0V, 60Hz, LUG 1 TO LUG 2	3.690 - 4.993A
Inductance	@ 30ADC =	2.5mH ± 15%
DCR	@ 20°C, LUG 1 - LUG 2 =	0.013 Ω ±20%
	OPERATING VOLTAGE	600 VAC max.
	OPERATING VOLTAGE	480 VDC max.
	OPERATING TEMPERATURE	CLASS A 105°C
HIPOT	WINDING 1 - CORE	2500V, 60Hz, 1 SEC
	WEIGHT	12.5 LBS.