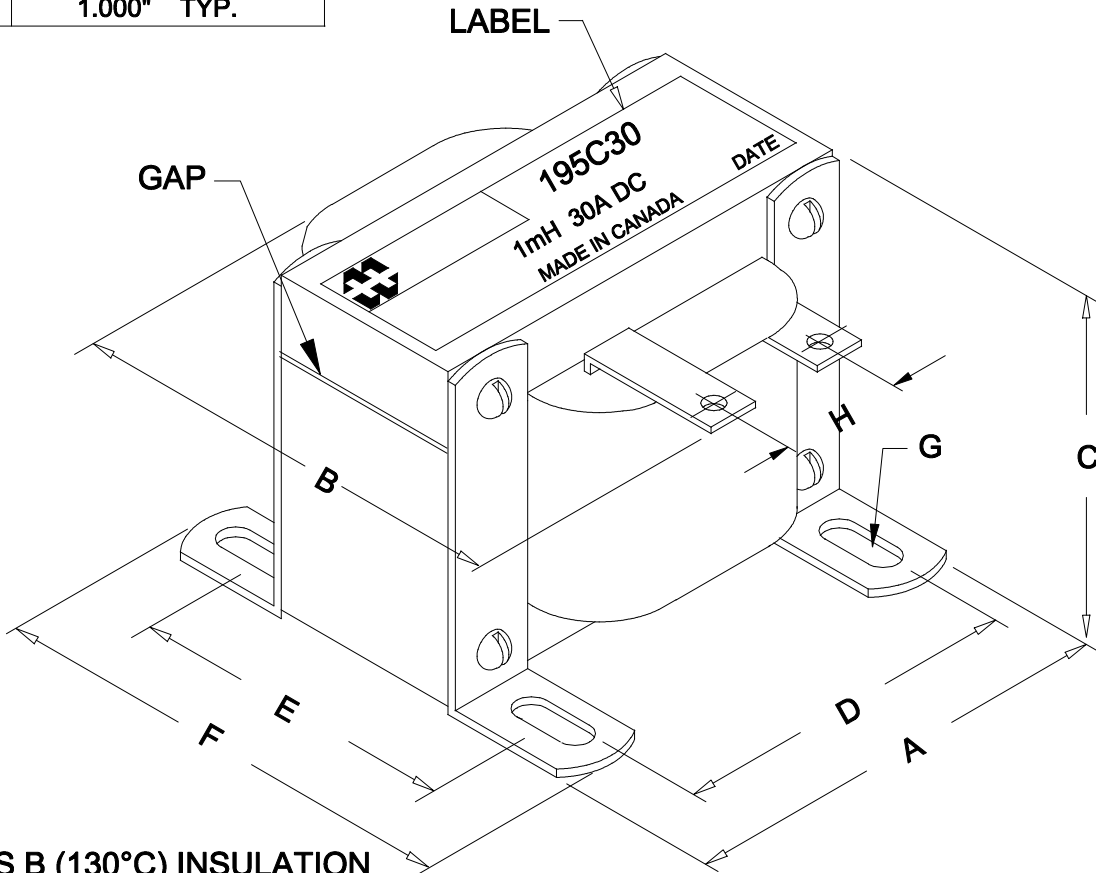
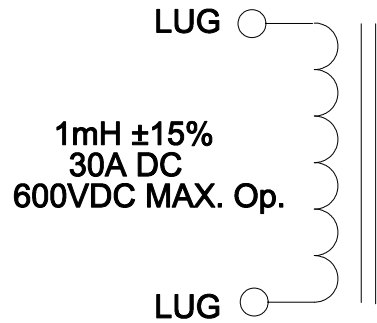


DIMENSIONS:	
A	3.750" ±0.063
B	3.850" ±0.125
C	3.125" ±0.063
D	3.125" ±0.063
E	2.500" ±0.063
F	3.062" ±0.063
G	0.203" X 0.375" ±0.015
H	1.000" TYP.



CLASS B (130°C) INSULATION
RoHS COMPLIANT

ELECTRICAL DATA:		
TESTS	CONDITIONS	ACCEPTANCE CRITERIA
INDUCTANCE	@ 3V, 60Hz, 30A DC, LUG - LUG	1mH ±15%
DCR	@ 20°C, LUG - LUG =	0.010 Ω ±15%
HIPOT	PRIMARY - CORE	2500V, 60Hz, 1 SEC



ELECTRONIC DIVISION
52 RANKIN PLACE,
WATERLOO, ONTARIO, N2J 3Z5
PH # (519) 886-6181
FAX # (519) 886-9540

TITLE
CHOKE

NO	DATE	REVISION	DWG. BY
0	06/18/15	RELEASED.	C.I. CORINA ILIE
			DATE 06/18/15
			DIM IN()MM()

195C30