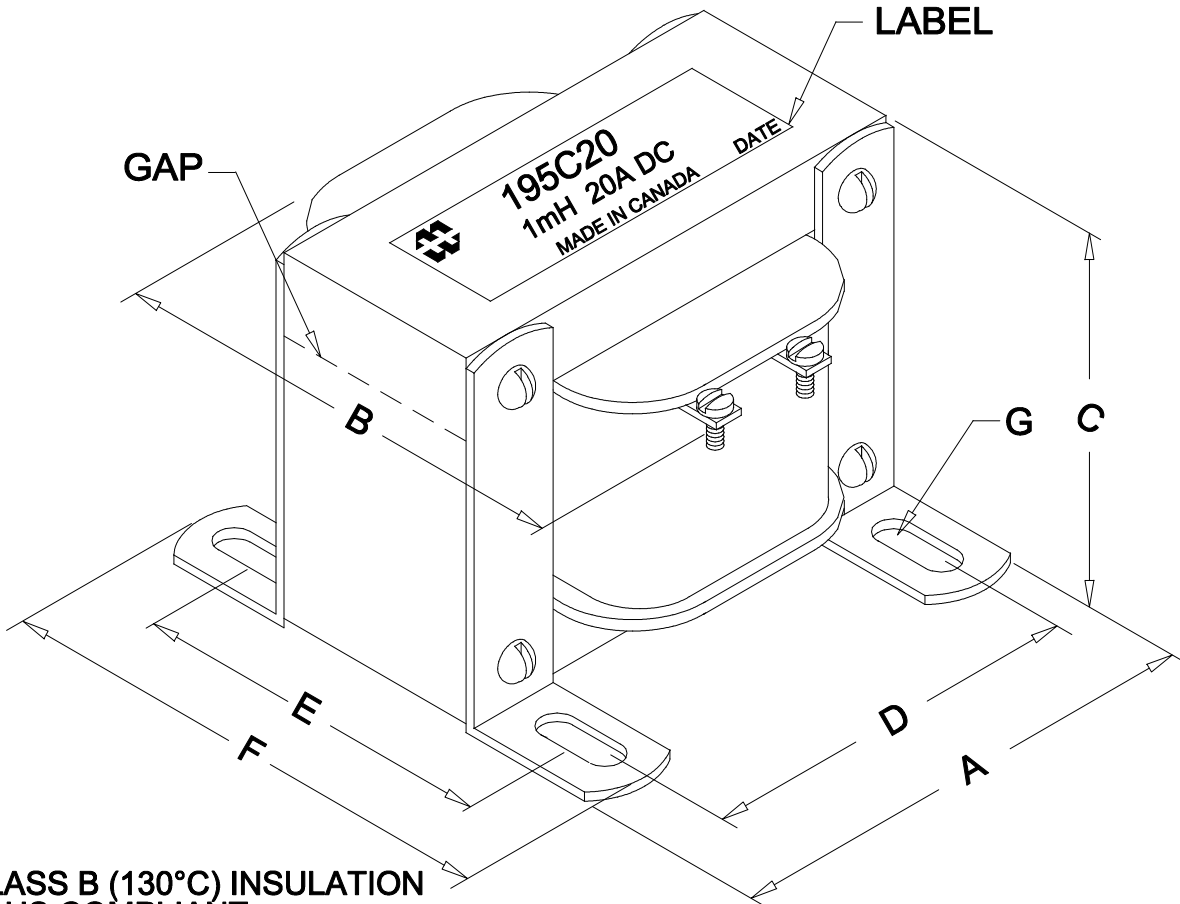
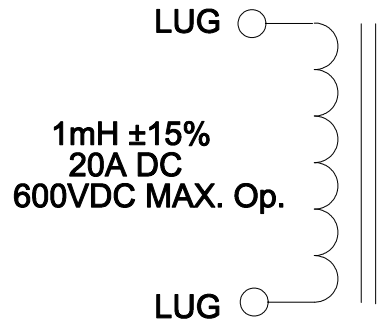


DIMENSIONS:	
A	3.000" ±0.063
B	3.063" ±0.125
C	2.500" ±0.063
D	2.500" ±0.063
E	2.250" ±0.063
F	2.813" ±0.063
G	0.203" X 0.375" 0.015



CLASS B (130°C) INSULATION  
RoHS COMPLIANT

ELECTRICAL DATA:		
TESTS	CONDITIONS	ACCEPTANCE CRITERIA
INDUCTANCE	@ 5V, 60Hz, 10A DC, LUG - LUG	1mH ±15%
DCR	@ 20°C, LUG - LUG =	0.013 Ω ±15%
HIPOT	PRIMARY - CORE	2500V, 60Hz, 1 SEC



**ELECTRONIC DIVISION**  
52 RANKIN PLACE,  
WATERLOO, ONTARIO, N2J 3Z5  
PH # (519) 886-6181  
FAX # (519) 886-9540

TITLE		CHOKE		195C20
NO	DATE	REVISION	DWG. BY	
0	07/10/15	RELEASED.	C.I. CORINA ILIE	
			DATE	
			07/10/15	
			DIM IN( )MM( )	