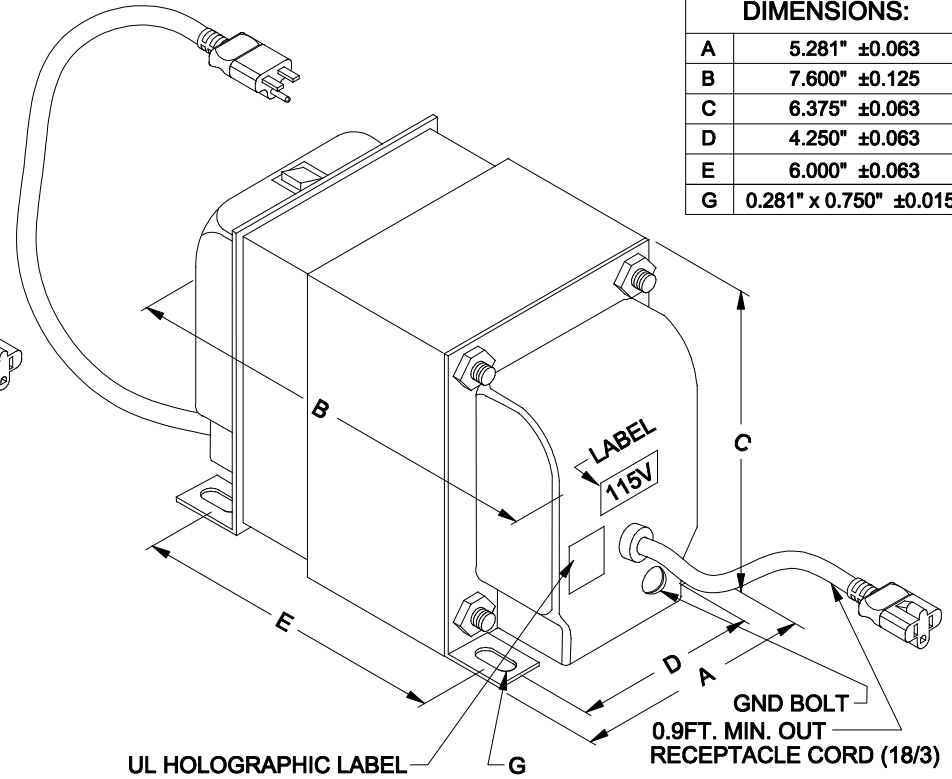
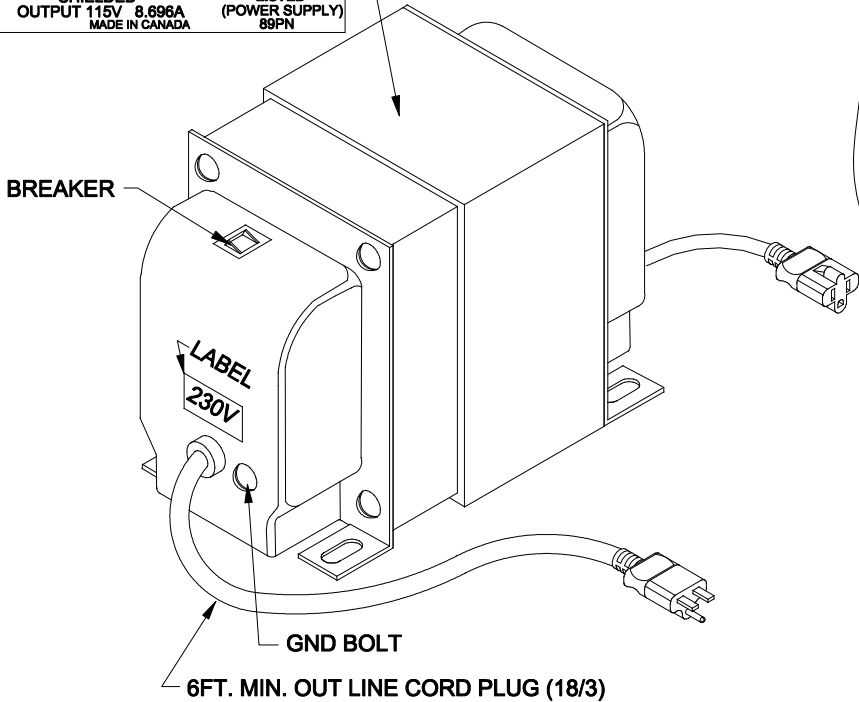
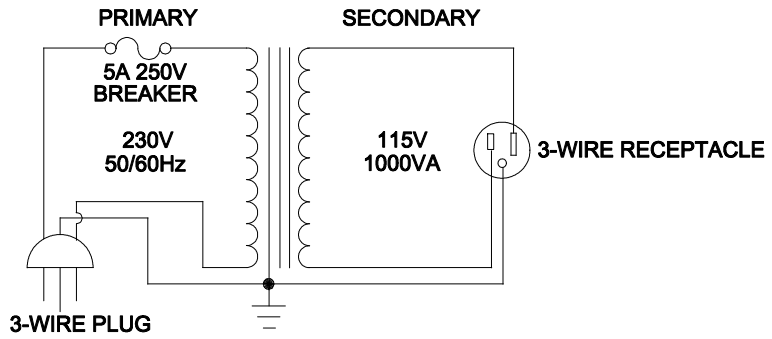


HAMMOND MANUFACTURING LINE ISOLATION TX.
172F
 INPUT 230V 50/60Hz 1000VA SHIELDED
 OUTPUT 115V 8.696A (POWER SUPPLY)
 DATE _____ MADE IN CANADA
 UL LISTED (POWER SUPPLY) 89PN



DIMENSIONS:	
A	5.281" ±0.063
B	7.600" ±0.125
C	6.375" ±0.063
D	4.250" ±0.063
E	6.000" ±0.063
G	0.281" x 0.750" ±0.015



ELECTRICAL DATA:		
TESTS	CONDITIONS	ACCEPTANCE CRITERIA
Iex	@ 230V, 60Hz, TO CORD PLUG	189mA Max.
Sec. N.L.V	@ 230V, 60Hz, TO CORD PLUG RECEPTACLE PLUG =	117.2V ±2%
DCR	@ 20°C, TO CORD PLUG =	0.684 Ω ±20%
	@ 20°C, RECEPTACLE PLUG =	0.672 Ω ±20%
HIPOT	PRIMARY - SECONDARY	2000V, 60Hz, 1 SEC

REV.#	REVISION	DATE
0	RELEASED.	C.I. 11/06/17
1	REVISED DRAWING.	C.I. 09/24/20

HAMMOND MANUFACTURING ELECTRONIC DIVISION
 52 RANKIN PLACE, WATERLOO, ONTARIO, N2J 3Z5
 PH # (519) 886-6181 FAX # (519) 886-9540

DWG. BY: C. ILIE CHK'D BY: _____
 DATE: 11/06/17 APP'D. BY: _____
 DIMENSIONS: IN(X) MM()

TITLE: LINE ISOLATION - STEP DOWN PLUG-IN TRANSFORMER
 DWG. NO. 172F