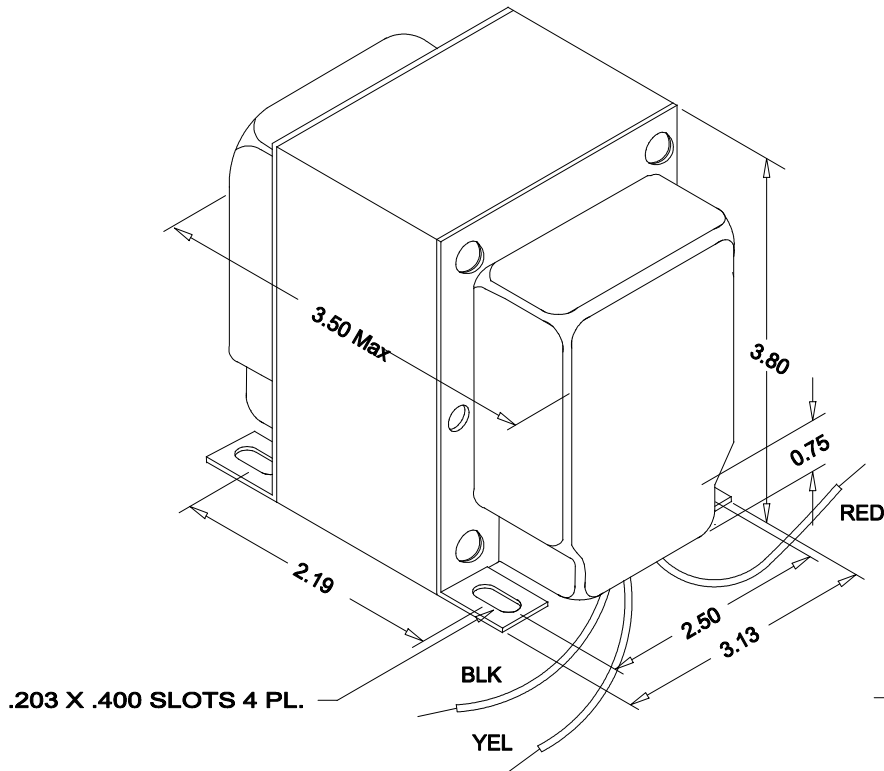
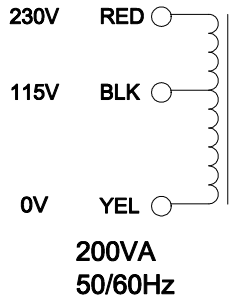
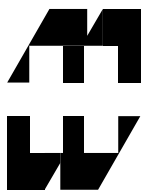


LINE AUTOTRANSFORMER



NOTE: ALL LEADS 8" OUT MIN., STRIP .25".

Standard tolerance: ± 0.063



**HAMMOND
MANUFACTURING** TM

WATERLOO TRANSFORMER
GROUP

52 RANKIN PLACE,
WATERLOO, ONTARIO, N2L 3Z5.

PHONE (519) 886-6181
FAX # (519) 886-9540

TITLE

170B LINE "AUTO" TRANSFORMER

			DR BY G. GRAY
			DATE 25/01/99
NO	DATE	REVISION	DIM IN()MM()

EDB 170B