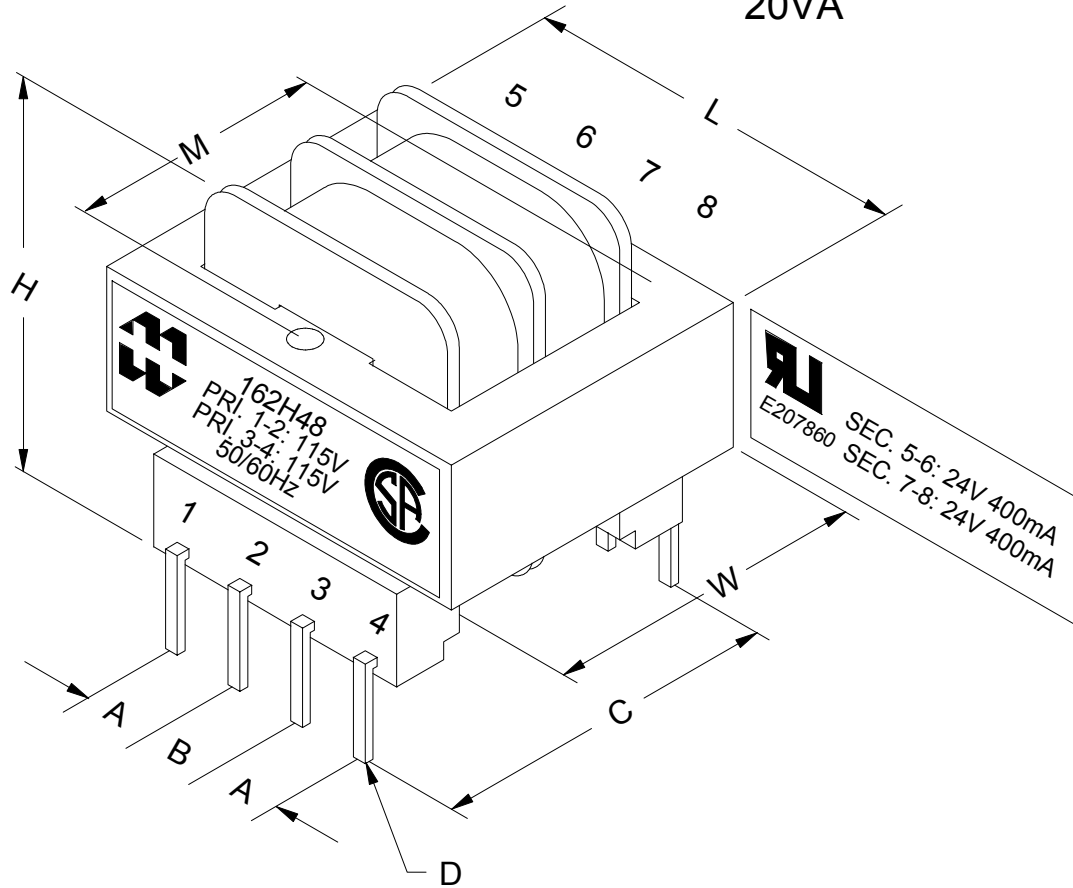
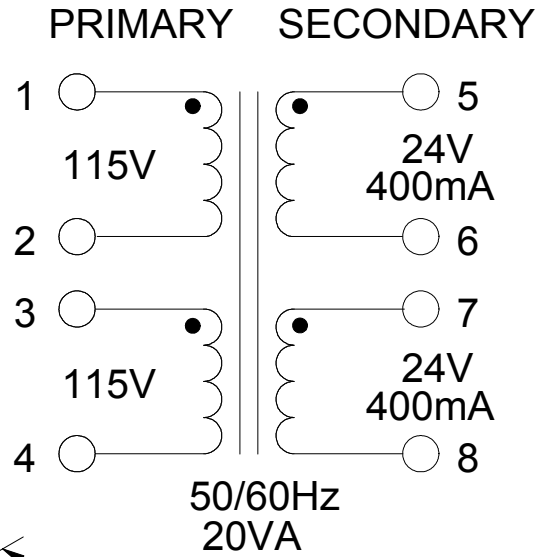


EDB162H48

DIMENSIONS:	
L	2.250" ±0.030
W	1.875" ±0.030
H	1.438" ±0.030
A	0.300" ±0.030
B	0.400" ±0.030
C	1.600" ±0.030
D	0.041" x 0.018" ±0.005
M	1.500" ±0.030



ELECTRONIC DIVISION
52 RANKIN PLACE,
WATERLOO, ONTARIO, N2J 3Z5
PH # (519) 886-6181
FAX # (519) 886-9540

TITLE
162H48

NO	DATE	REVISION	DWG. BY
0	10/15/10	PRELIMINARY. C.I.	CORINA ILIE
			DATE
			10/15/10
			DIM IN(×)MM()

EDB162H48