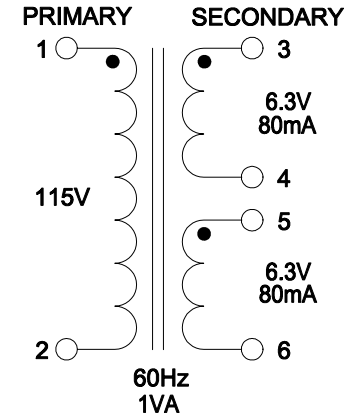
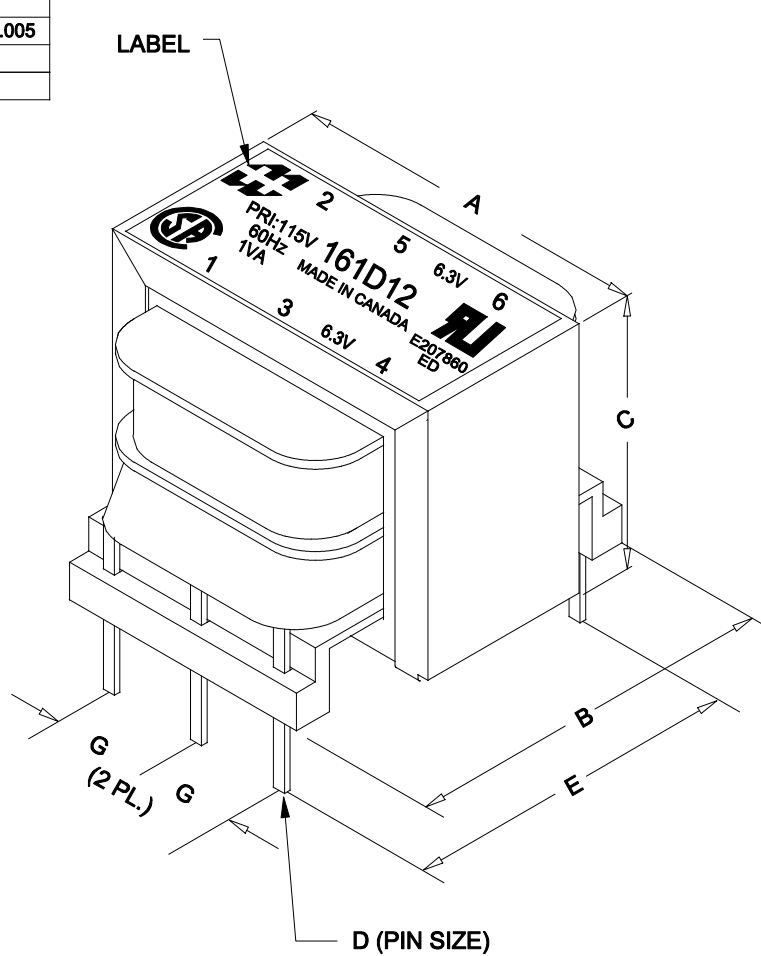


DIMENSIONS:	
A	1.000" ±0.031
B	1.360" ±0.031
C	0.830" ±0.063
D	0.018" X 0.041" ±0.005
E	1.200" ±0.031
G	0.250" ±0.031



ELECTRICAL DATA:		
TESTS	CONDITIONS	ACCEPTANCE CRITERIA
Iex	@ 115V, 60Hz, PIN 1 - PIN 2	12mA Max.
Sec. N.L.V	@ 115V, 60Hz, PIN 1 - PIN 2	
	PIN 3 - PIN 4 =	7.541V ±2%
	PIN 5 - PIN 6 =	7.541V ±2%
DCR	@ 20°C, PIN 1 - PIN 2 =	546.5 Ω ±20%
	@ 20°C, PIN 3 - PIN 4 =	8.145 Ω ±20%
	@ 20°C, PIN 5 - PIN 6 =	8.778 Ω ±20%
HIPOT	PRIMARY - SECONDARY	1500V, 60Hz, 1 SEC

REV.#	REVISION	DATE	HAMMOND MANUFACTURING™ ELECTRONIC DIVISION		52 RANKIN PLACE, WATERLOO, ONTARIO, N2J 3Z5		PH # (519) 886-6181
0	RELEASED.	C.I. 04/27/17	MANUFACTURING™				FAX # (519) 886-9540
1	REMOVED NOTE TO MARK PIN 2 WITH A DOT.	C.I. 05/02/17	MANUFACTURING™				
			DWG. BY: C. ILIE	CHK'D BY:	TITLE: PC BOARD MOUNT	DWG. NO.	
			DATE: 04/27/17	APP'D. BY:	POWER TRANSFORMER	161D12	
				DIMENSIONS: IN(X) MM( )			