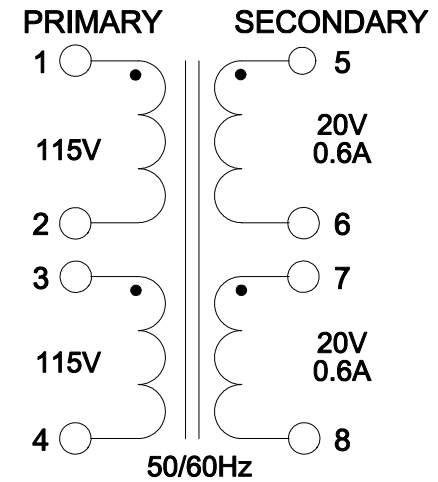
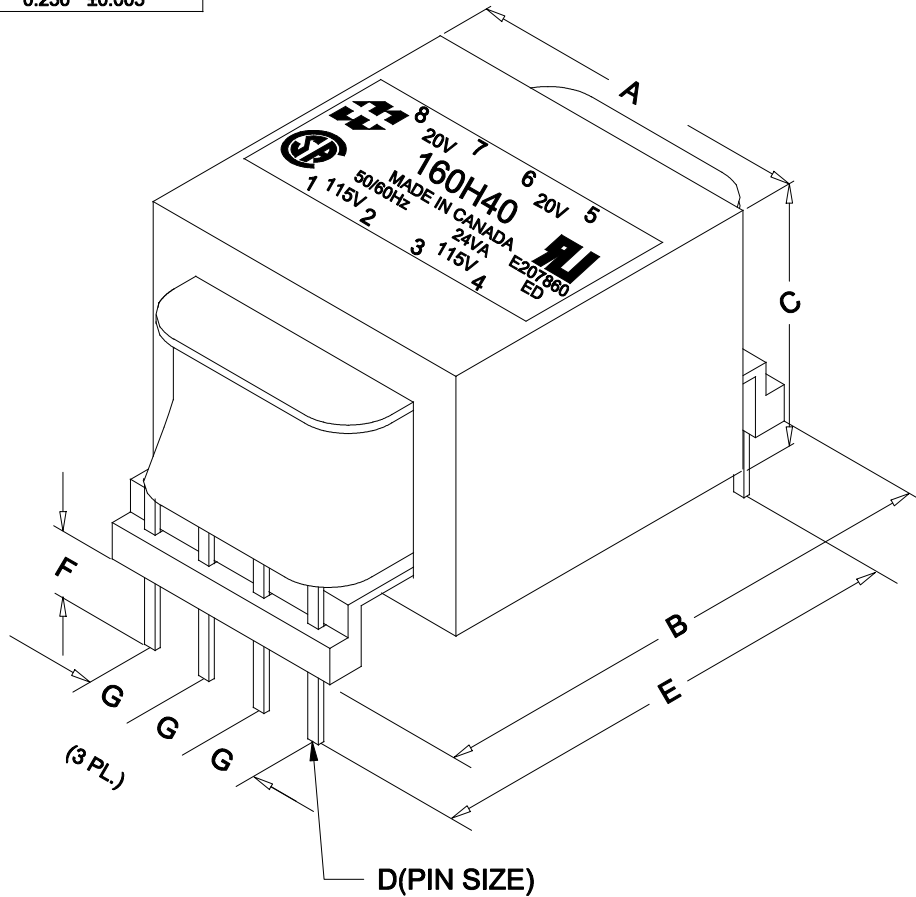


DIMENSIONS:	
A	1.625" ±0.063
B	2.226" ±0.063
C	1.375" ±0.063
D	0.018" X 0.041" ±0.005
E	2.100" ±0.030
F	0.190" ±0.005
G	0.250" ±0.005



ELECTRICAL DATA:		
TESTS	CONDITIONS	ACCEPTANCE CRITERIA
lex	@ 115V, 60Hz, PIN 1 - PIN 2	90mA Max.
Sec. N.L.V	@ 115V, 60Hz, PIN 1 - PIN 2	
	PIN 3 - PIN 4 =	115.0V ±2%
	PIN 5 - PIN 6 =	24.03V ±2%
	PIN 7 - PIN 8 =	24.03V ±2%
DCR	@ 20°C, PIN 1 - PIN 2 =	64.86 Ω ±20%
	@ 20°C, PIN 3 - PIN 4 =	69.26 Ω ±20%
	@ 20°C, PIN 5 - PIN 6 =	3.258 Ω ±20%
	@ 20°C, PIN 7 - PIN 8 =	3.258 Ω ±20%
HIPOT	PRMARY - SECONDARY	2000V, 60Hz, 1 SEC

REV.#	REVISION	DATE	HAMMOND ELECTRONIC DIVISION		PH # (519) 886-6181 FAX # (519) 886-9540
0	RELEASED.	04/01/15	52 RANKIN PLACE, WATERLOO, ONTARIO, N2J 3Z5		
			DWG. BY: C. ILIE	CHK'D BY:	TITLE: PC BOARD MOUNT POWER TRANSFORMER
			DATE: 04/01/15	APP'D. BY:	
				DIMENSIONS: IN(X) MM( )	DWG. NO. 160H40