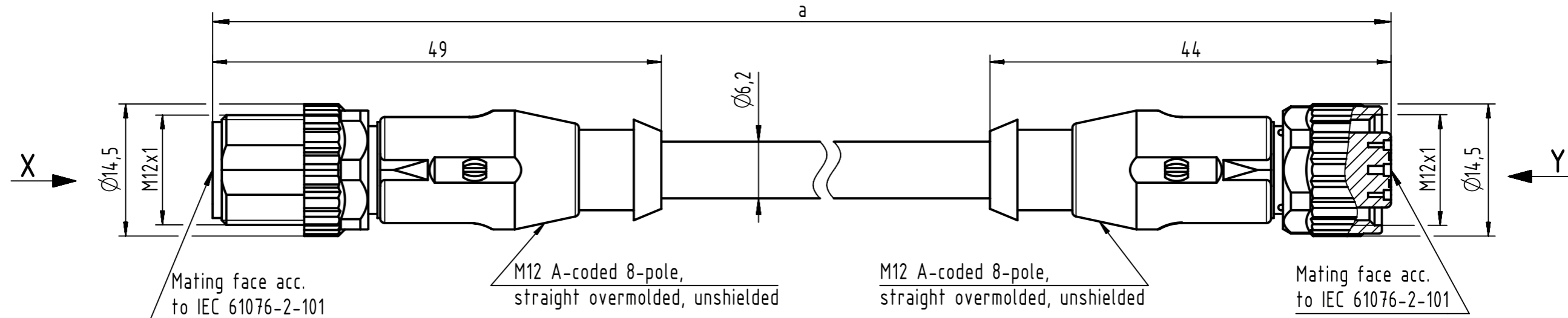
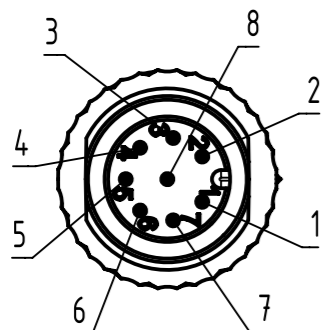


Connector Location A

Connector Location B



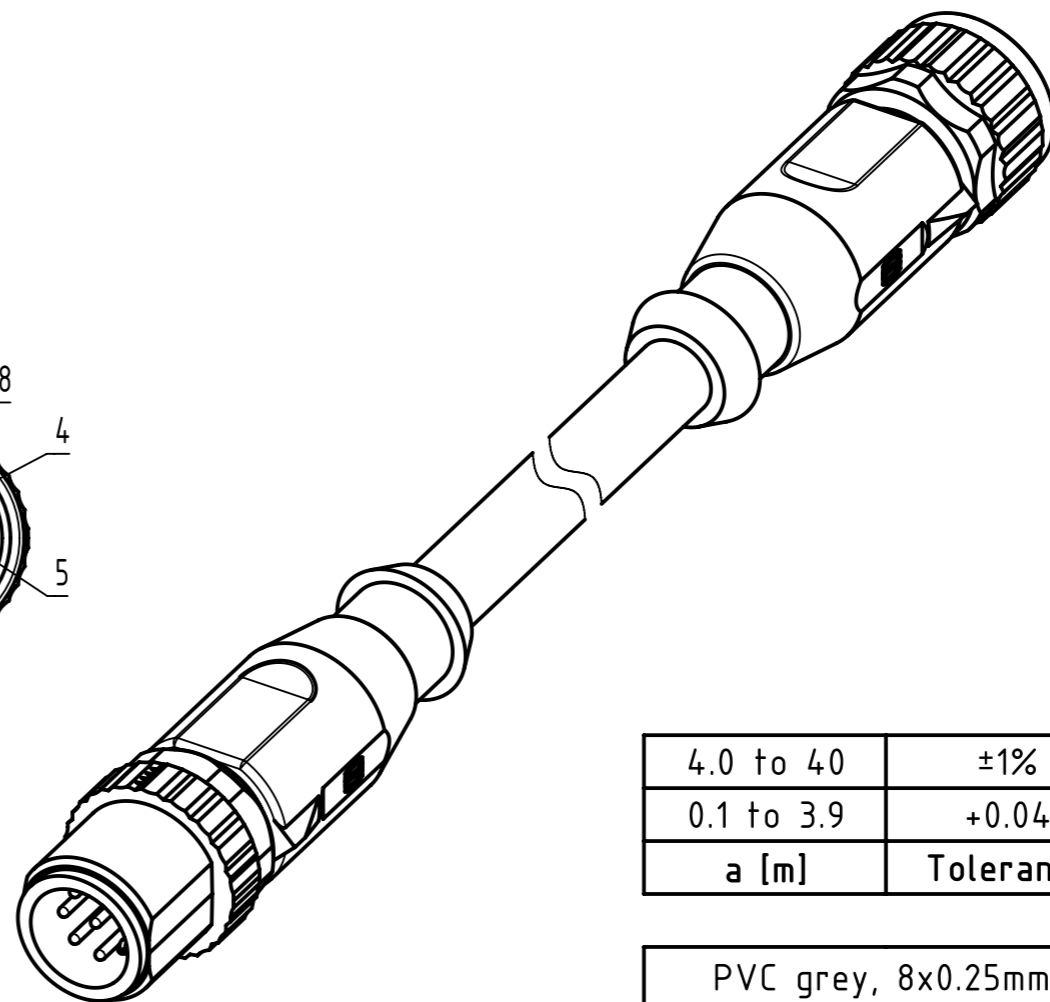
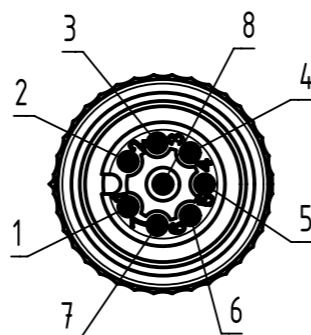
X  
male



Loading-Plan

- |   |        |   |
|---|--------|---|
| 1 | white  | 1 |
| 2 | brown  | 2 |
| 3 | green  | 3 |
| 4 | yellow | 4 |
| 5 | grey   | 5 |
| 6 | pink   | 6 |
| 7 | blue   | 7 |
| 8 | red    | 8 |

Y  
female



length in "1m" step	40	XXX=400
	39	XXX=390
	.	.
	12	XXX=120
length in "0.1m" step	11	XXX=110
	10	XXX=100
	9.9	XXX=099
	9.8	XXX=098
	.	.
	0.4	XXX=004
	0.3	XXX=003
	0.2	XXX=002
	0.1	XXX=001
Step	a [m]	XXX

4.0 to 40	±1%
0.1 to 3.9	+0.04
a [m]	Tolerance

PVC grey, 8x0.25mm <sup>2</sup>	21348485882XXX
Type of cable	Part no.

- Protection level: IP67
- Temperature range: -25°C ... +80°C

	All rights reserved	Created by STOCHECIC Stochei	Inspected by COSTEA Costea	Standardisation MUNTEANV Muntean	Date 2018-12-14	State Final Release	
	Department HCS - RO	Title M12 Cable Assembly A-cod st/st m/f				Doc-Key / ECM-Nr. 100578827/UGD/009/F 500000144869	
HARTING Customised Solutions D-32339 Espelkamp		Type TB	Number 21348485882XXX			Rev. F	Page 1/1

# Mouser Electronics

Authorized Distributor

Click to View Pricing, Inventory, Delivery & Lifecycle Information:

## HARTING:

[21348485882010](#) [21348485882050](#) [21348485882015](#) [21348485882020](#) [21348485882005](#) [21348485882075](#)  
[21348485882100](#) [21348484882010](#) [21348485882030](#) [21348484882050](#) [21348484882020](#)