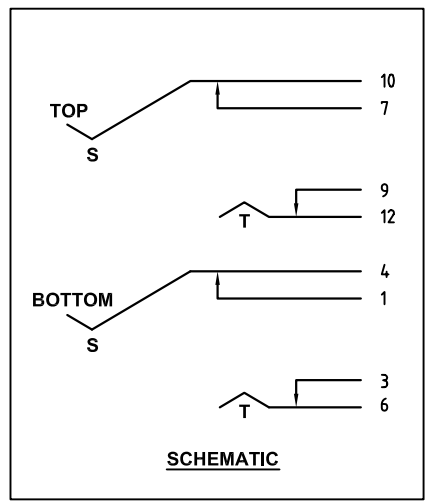
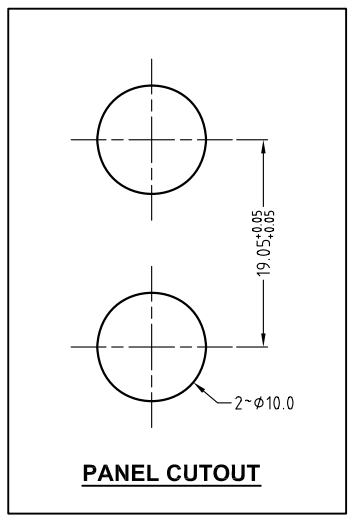


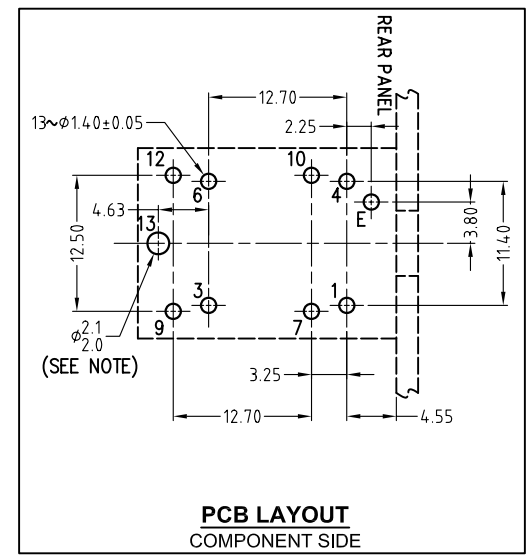
ISO VIEW
SCALE 1:1



SCHEMATIC



PANEL CUTOUT



PCB LAYOUT
COMPONENT SIDE

NOTE: OPTIONAL MOUNTING HOLE FOR SELF-TAPPING M2 SCREW

CATALOGUE P/N	NUT OPTION
ACJM-LHDEM	NO NUT & WASHER
ACJM-MHDEM	METAL NUT & WASHER INCLUDED

UNLESS OTHERWISE SPECIFIED TOLERANCE TO BE		THIS DOCUMENT IS THE PROPERTY OF AMPHENOL AUSTRALIA PTY. LTD. NO PART THEREOF MAY BE REPRODUCED AND USED WITHOUT THE PRIOR WRITTEN CONSENT OF THE OWNER				0	FIRST ISSUE	M.H	17-06-09	----
LINEAR	ANGULAR	CAD FILE:	55010600001120	DRN:	M.H	DATE:	17-06-09	BY	DATE	CHG/No
X ± 0.5	X° ± 1°	MATL:	REFER TO COMPONENT	CKD:	M.H	DATE:	17-06-09	Amphenol Amphenol Australia Pty.Ltd, 2 Fireweys Blvd, Keysborough, Vic3173 DRAWING No. SHEET 55010600-001-2 2 OF 2		
X.X ± 0.20	X°X' ± 30'	DO NOT SCALE	FINISH: REFER TO COMPONENT	APP'D:	P.M	DATE:	17-06-09			
X.XX ± 0.10	X°X'X" ± 15'	DIMENSIONS IN MILLIMETRES		THIRD ANGLE PROJECTION	SCALE:	2:1 UDS	PART No:	SEE TABLE	SIZE:	A3

Mouser Electronics

Authorized Distributor

Click to View Pricing, Inventory, Delivery & Lifecycle Information:

[Amphenol:](#)

[ACJM-MHDEM](#)