

THIS DRAWING IS UNPUBLISHED.

RELEASED FOR PUBLICATION - ,2016.

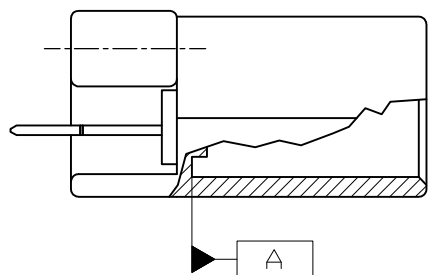
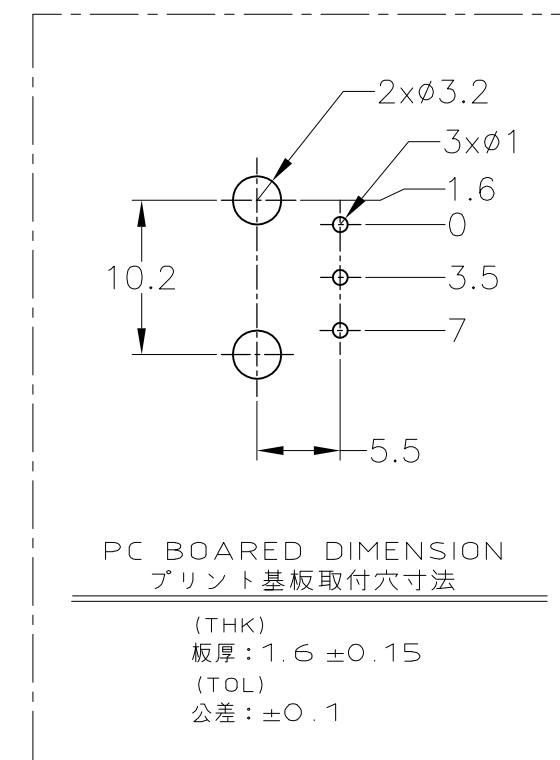
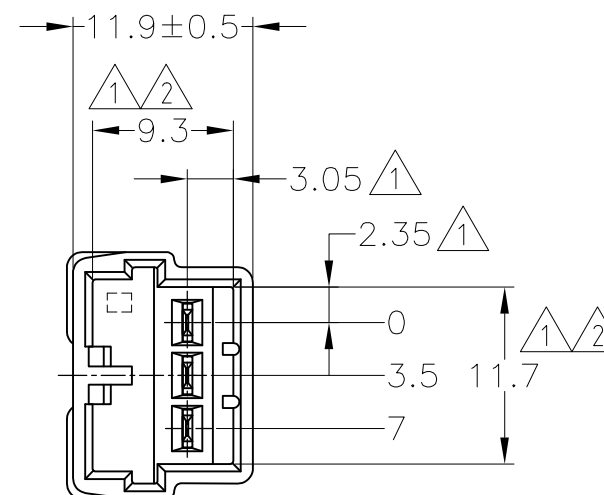
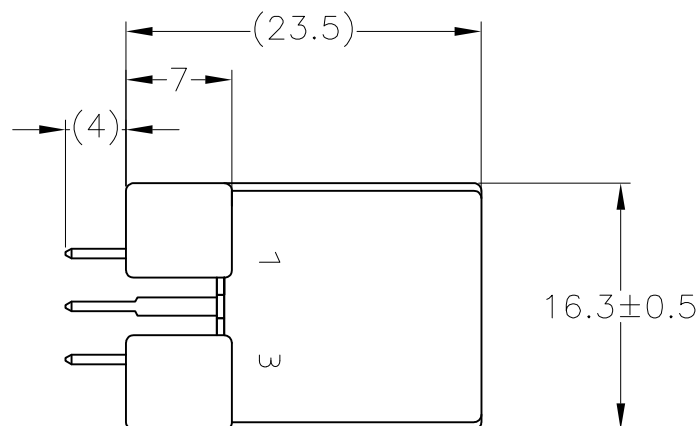
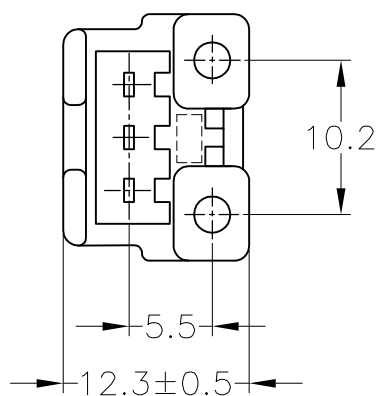
© COPYRIGHT 2016 Tyco Electronics Japan G.K.

ALL RIGHTS RESERVED.

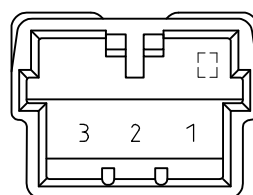
REVISIONS

変更

P	LTR	DESCRIPTION	DATE	DWN	APVD
	G5	REVISED	ECR-16-003276	05SEP2016	KF HY



- ① TO BE MEASURED BETWEEN A AND 2
- ② TO BE MATED WITH PLUG HSG SMOOTHLY
- 3 TO BE USE M3 TAPPING SCREW JIS B1115 OR 1122 (TYPE2 OR 4) BEFORE SOLDER (TIGHTENING TORQUE; 0.8N-m MAX.)
- 4 APPLIED PLUG HSG P/N ; 174921
- ⑤ CIRCUIT NUMBER;



- ① A 面から2mmの範囲で測定
- ② 相手ハウジングと所定の機能を満たして嵌合できること
- 3 プリント基板への取付けは JIS-B1115又は1122, M3×6ナベ (2種又は4種)のタッピングネジで締付けた後ハンダ付けする (締付トルク; 0.8N-m 以下)
- 4 嵌合相手ハウジング型番: 174921
- ⑤ 回路番号: 上図参照のこと

TOLERANCE UNLESS OTHERWISE SPECIFIED:	
一般公差	
0 < x ≤ 10	: ±0.2
10 < x ≤ 30	: ±0.25
30 < x ≤ 100	: ±0.3
ANGLE ;	±3°
角度	

THIS DRAWING IS A CONTROLLED DOCUMENT.

DIMENSIONS:	TOLERANCES UNLESS OTHERWISE SPECIFIED:
mm	
	0 PLC ± -
	1 PLC ± -
	2 PLC ± -
	3 PLC ± -
MATERIAL	4 PLC ± -
	ANGLES ± -
PBT 黄銅(BRASS)	FINISH SEE TABLE

SELECTIVE TIN (MATTE)	SELECTIVE GOLD x 3	1~3	NATURAL 自然色	3-5174953-1
SELECTIVE-TIN	PRE-TIN x 3	-	NATURAL 自然色	4-174953-1
TIN-LEAD	SELECTIVE GOLD x 1	2	NATURAL 自然色	2-174953-1
	PRE-TIN x 2			
	PRE-TIN x 3	-	NATURAL 自然色	1-174953-1
SELECTIVE TIN (MATTE)	SELECTIVE-TIN x 3 (BRIGHT)	-	NATURAL 自然色	174953-3
	PRE-TIN x 3	-	BLACK 黒色	174953-2
SOLDERING SIDE 半田付け部	CONTACT SIDE 接触部側	⑤	GOLD PLATED CIRCUIT NO. 金めっき回路番号	COLOR 色
CONTACT FINISH コンタクト仕上				

DWN A. YAMAGUCHI 17APR01	TE Connectivity			
CHK M. TSUKAKOSHI 17APR01				
APVD M. TSUKAKOSHI 17APR01	NAME			
PRODUCT SPEC 108-5216	.070 SRS MLC 3POSITION CAP HOUSING(W-B V-TYPE) ASSEMBLY			
APPLICATION SPEC	SIZE	CAGE CODE	DRAWING NO	RESTRICTED TO
WEIGHT 3 g	A3	00779	C-174953	-
CUSTOMER DRAWING		SCALE 2:1	SHEET 1 OF 1	REV G5

Mouser Electronics

Authorized Distributor

Click to View Pricing, Inventory, Delivery & Lifecycle Information:

[TE Connectivity:](#)

[1-174953-1](#)