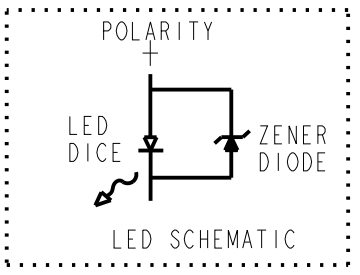
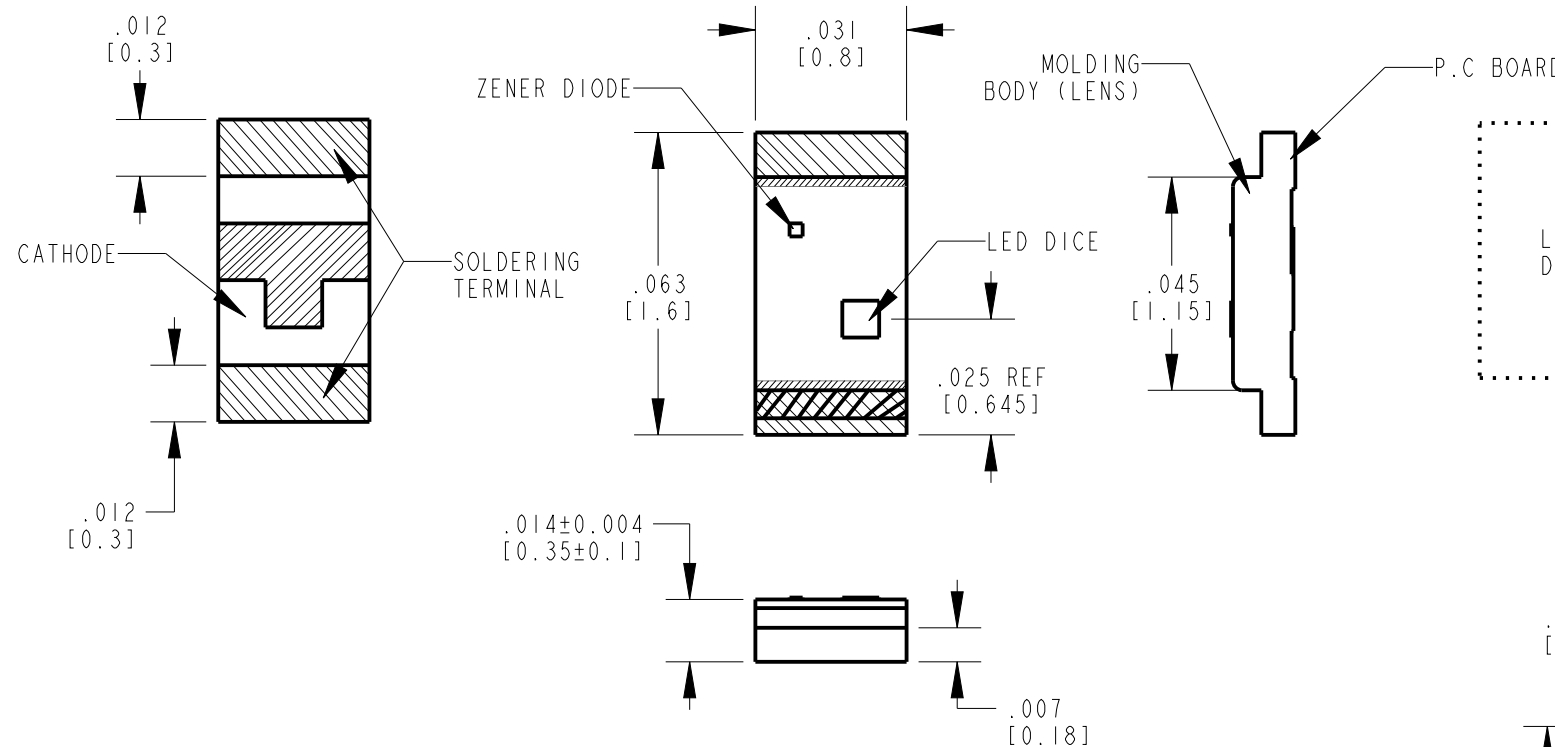


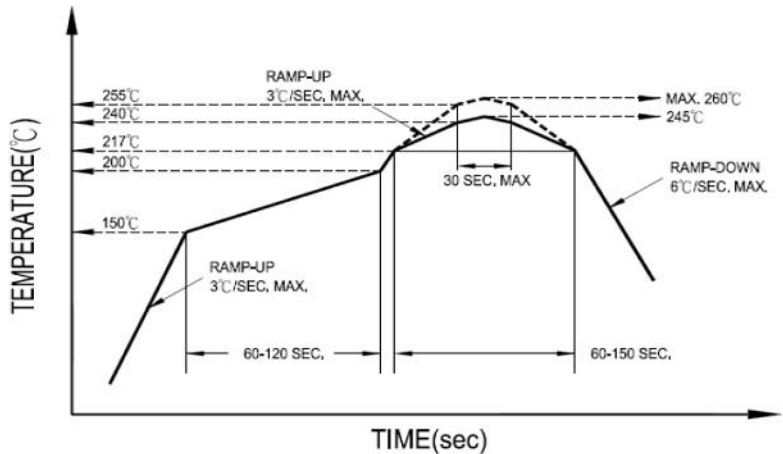
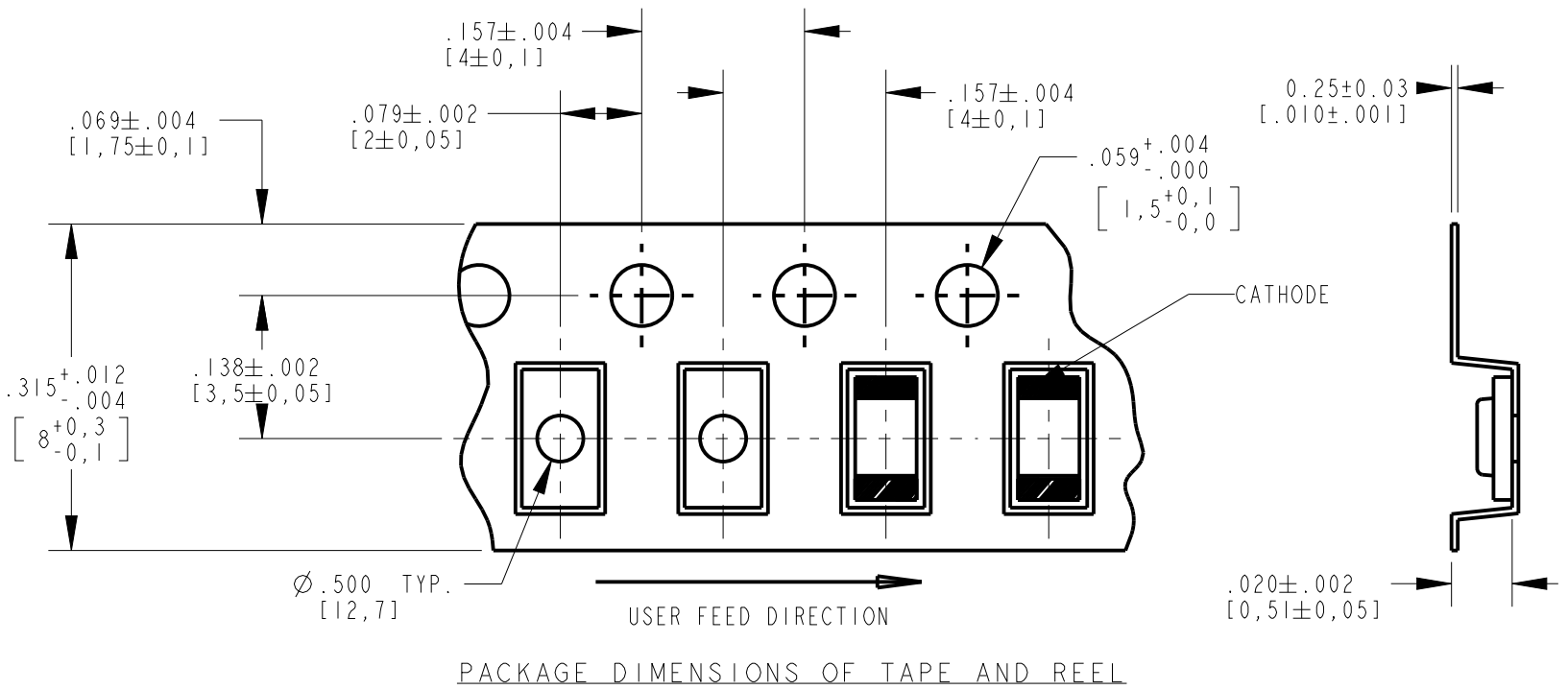
REV	ECN NO	REVISIONS	DRN	CKD	APP	DATE
A	—	NEW RELEASE	BP	—	NO	2-8-18



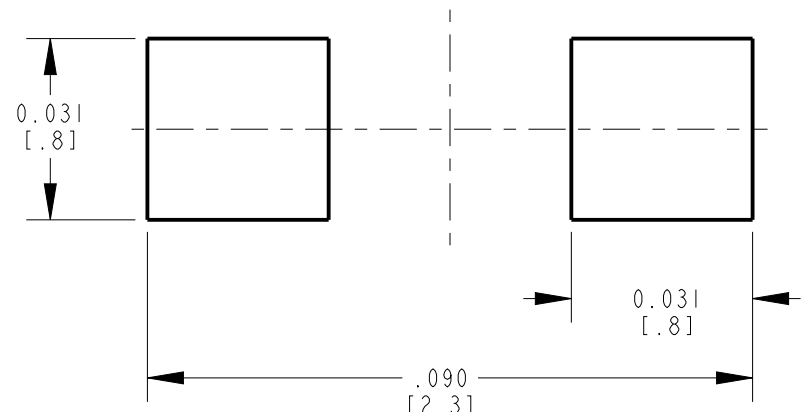
- NOTES:**
- DIALIGHT P/N: 597-3905-602F, 597-3905-607F  
SUFFIX -602F FOR 20 PCS ON A SAMPLE TAPE STRIP  
SUFFIX -607F FOR 7" DIAMETER REEL, PACKAGED 5000 PCS PER REEL.
  - LABELING FOR REEL AND OUTSIDE OF ALUMINUM FOIL BAG:  
DIALIGHT P/N, QUANTITY PER REEL, DATE CODE, INTENSITY BIN CODE,  
LOT NUMBER AND COUNTRY OF ORIGIN.
  - TAPE AND REEL LEDS MAY REQUIRE RE-TAPING AFTER TWELVE MONTHS.
  - ESD WITHSTAND VOLTAGE 2KV ACC. TO JESD22-A114-D

ABSOLUTE MAXIMUM RATINGS AT 25°C AMBIENT		WHITE	UNITS
POWER DISSIPATION		36	mW
CONTINUOUS FORWARD CURRENT		10	mA
PEAK FORWARD CURRENT (1/10 DUTY CYCLE, 10ms PULSE WIDTH)		50	mA
ELECTROSTATIC DISCHARGE THRESHOLD (HBM)		2000	V
REFLOW SOLDERING TEMPERATURE FOR 5 SEC.		260	°C
OPERATING TEMPERATURE		-20 TO +80	°C
STORAGE TEMPERATURE		-40 TO +85	°C

OPERATING CHARACTERISTICS AT 25°C AMBIENT												
LED COLOR	CHROMATICITY COORDINATES @ I <sub>F</sub> =5mA	LUMINOUS INTENSITY (mcd) @ I <sub>F</sub> =5mA			REVERSE VOLTAGE (V) @ I <sub>F</sub> =10mA			FORWARD VOLTAGE (V) @ I <sub>F</sub> =5mA			VIEWING ANGLE (DEGREES)	
		TYP	MIN	TYP	MAX	MIN	TYP	MAX	MIN	TYP	MAX	TYP
WHITE	X	0.294	71	—	146	0	—	10	2.70	—	3.15	130
	Y	0.3005										



RECOMMENDED ROHS SOLDER PROFILE



SUGGEST SOLDERING PAD DIMENSIONS



**ATTENTION:**  
OBSERVE PRECAUTIONS FOR  
HANDLING ELECTROSTATIC  
SENSITIVE DEVICES

THIS DRAWING AND THE CONTENTS HEREIN ARE CONFIDENTIAL AND THE SOLE PROPERTY OF DIALIGHT CORP. REPRODUCTION OF THIS DRAWING OR CONSTRUCTION OF ANY PARTS WITHIN THIS DRAWING ARE FORBIDDEN WITHOUT THE WRITTEN CONSENT OF DIALIGHT CORP.

DIALIGHT CORP. INTERNAL REFERENCE ONLY = 3D MODEL : 0603.SINGLE

SCALE: 25	DRAWING NUMBER	REV
ALL DIM'S: INCH (mm)	<b>C-18373</b>	<b>A</b>
TOLERANCES: UNLESS OTHERWISE SPECIFIED	TITLE	
FRACTIONS: ±1/64	SM 0603 WHITE W ZENER LC 5MA	
DECIMALS (.XX): ±.01	MATERIAL	
DECIMALS (.XXX): ±.005		
DECIMALS (.XXXX): ±.0005		
ANGLES: ±1°		
FINISH		
FSCM 83330	<b>Dialight</b>	
	1501 ROUTE 34 SOUTH FARMINGDALE, NJ 07727 (732) 919-3119 www.dialight.com	
	SHEET 1 OF 1	FAMILY TABLE:

# Mouser Electronics

Authorized Distributor

Click to View Pricing, Inventory, Delivery & Lifecycle Information:

Dialight:

[5973905607F](#)