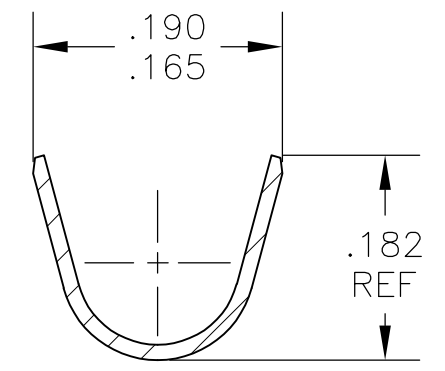
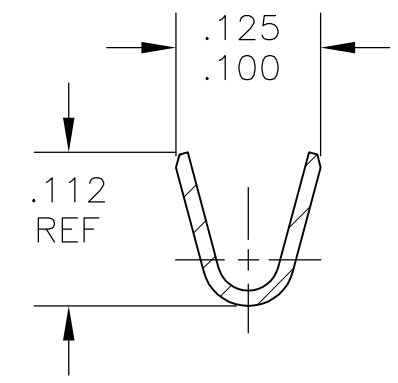
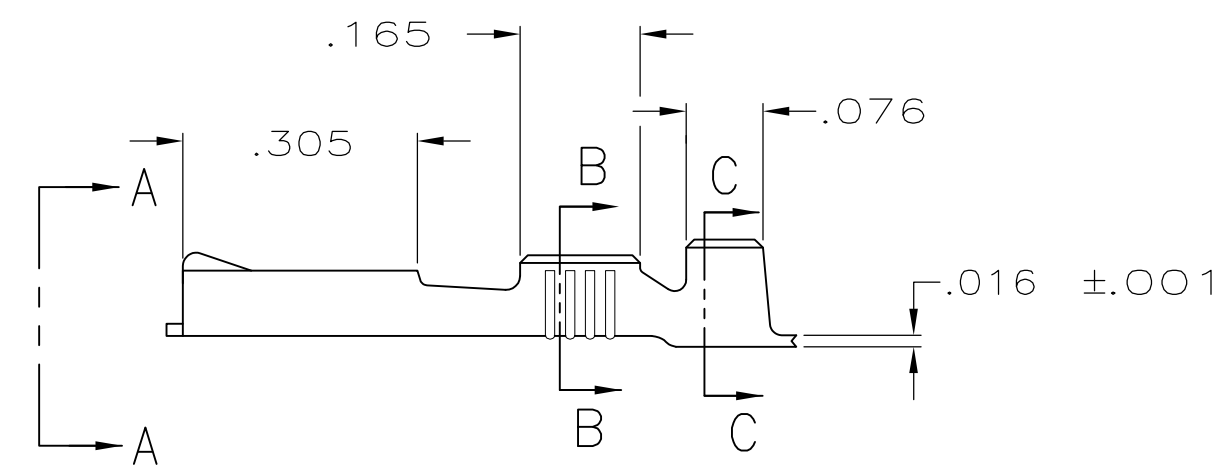
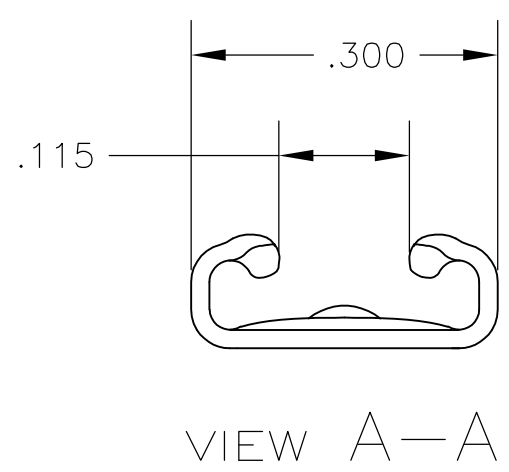
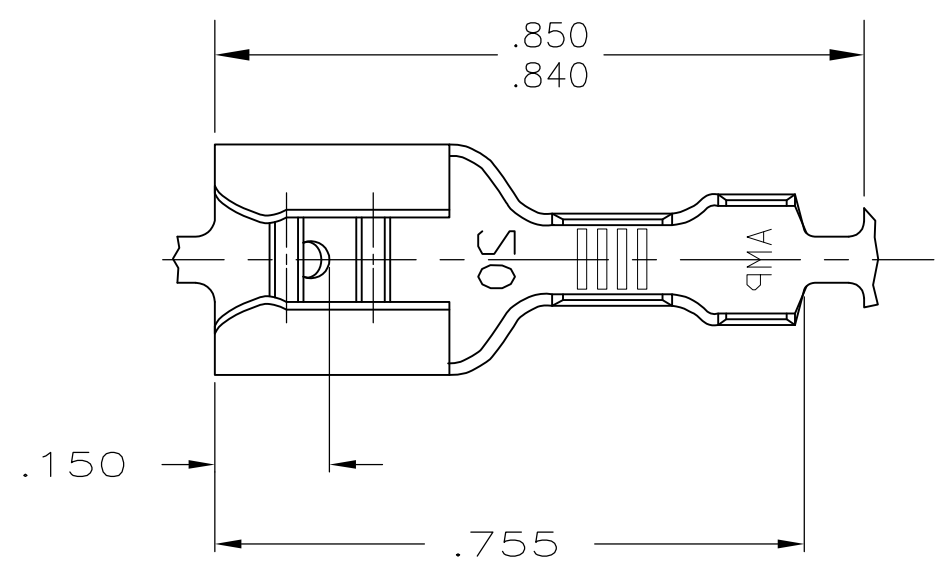


THIS DRAWING IS UNPUBLISHED. RELEASED FOR PUBLICATION
 © COPYRIGHT - By - ALL RIGHTS RESERVED.

LOC	DIST	REVISIONS			
P	LTR	DESCRIPTION	DATE	DWN	APVD
AF	50	H	REVISED PER ECR-12-013445	09NOV12	KH PD

- 1 CONTINUOUS STRIP ON REELS.
- 2 WIRE SIZE 22-18 AWG
- 3 INSULATION RANGE .090-.130 DIA
- 4 MATING TAB THK IS .032±.001



SECTION B-B

SECTION C-C

TIN	42743-2
—	42743-1
FINISH	PART NO

THIS DRAWING IS A CONTROLLED DOCUMENT.

DIMENSIONS:	TOLERANCES UNLESS OTHERWISE SPECIFIED:
INCHES	
	± -
	± -
	± -
	± .015
	± -
ANGLES	± -

MATERIAL	FINISH
BRASS	SEE ABOVE

DWN	JR RUTH	5-14-86
CHK	G YETTER	5-16-86
APVD	C MEYERS	5-16-86
PRODUCT SPEC	—	
APPLICATION SPEC	114-2036	
WEIGHT	—	
CUSTOMER DRAWING		

TE Connectivity				NAME	
				.250 SERIES FASTON RECEPTACLE	
SIZE	CAGE CODE	DRAWING NO	RESTRICTED TO		
A3	00779	C-42743	—		
SCALE 4:1			SHEET 1 OF 1	REV H	

Mouser Electronics

Authorized Distributor

Click to View Pricing, Inventory, Delivery & Lifecycle Information:

[TE Connectivity:](#)

[42743-1 \(CUT STRIP\)](#) [42743-1 \(MOUSER REEL\)](#)