



Quality Products. Service Excellence.

Tube Driver - Interstage 126 Series

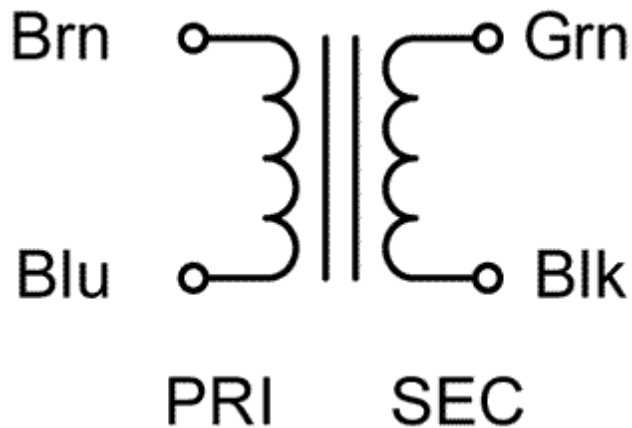
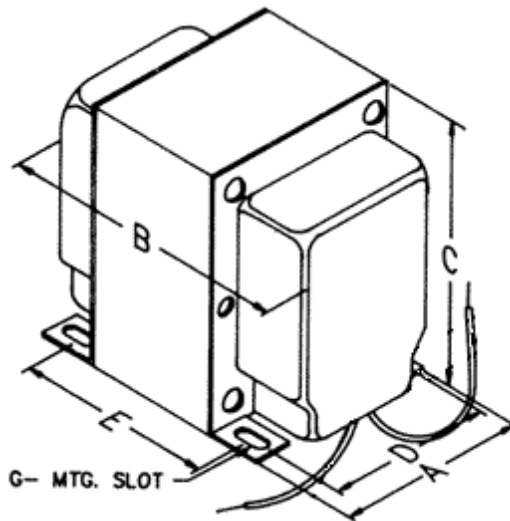
Features



- Designed for driver use ONLY in single ended tube output amplifiers. These units replace coupling capacitor circuits for improved sound.
- Closed style with minimum 8" long leads.
- All models use bifilar wound windings for exceptional coupling and bandwidth.
- Minimum frequency response 20 Hz. - 20 KHz (+/- 1db max. ref. 1 KHz.).
- The core is gapped to support the specified D.C. bias current.
- Maximum working voltage - 400 VDC
- Units are Hi-Pot tested at 1,000 VDC
- Core uses Hi grade silicon laminations (29M6).
- Units weight - 3 lbs. 2 oz.



Ask About
Custom
Transformers
& Chokes



| Part No. | Primary | | | Secondary | | | Rated D.C. Bias Current | Dimensions | | | | | | |
|----------|-------------|------------------|------------------------|------------------|------------------------|------------|-------------------------|------------|---|---|---|---|------------|--|
| | Audio Watts | Impedance (Ohms) | D.C. Resistance (Ohms) | Impedance (Ohms) | D.C. Resistance (Ohms) | Inductance | | A | B | C | D | E | G Mtg Slot | |
| | | | | | | | | | | | | | | |

| Part No. | Audio Watts | Primary | | Secondary | | | Inductance | Rated D.C. Bias Current | Dimensions | | | | | G Mtg Slot |
|----------|----------------|---------------------|------------------------------|---------------------|------------------------------|------------|------------|----------------------------|------------|------|------|------|------|---------------|
| | | Impedance (Ohms) | D.C. Resistance (Ohms) | Impedance (Ohms) | D.C. Resistance (Ohms) | A | | | B | C | D | E | | |
| 126A | 4 | 5K | 178 | 5K | 178 | 59 Henrys | 15 ma. | 2.50 | 3.12 | 3.12 | 2.00 | 2.25 | 0.20 | 0.38 |
| 126B | 4 | 5K | 178 | 5K | 178 | 44 Henrys | 30 ma. | 2.50 | 3.12 | 3.12 | 2.00 | 2.25 | 0.20 | 0.38 |
| 126C | 4 | 10K | 375 | 10K | 375 | 106 Henrys | 15 ma. | 2.50 | 3.12 | 3.12 | 2.00 | 2.25 | 0.20 | 0.38 |

Data subject to change without notice

© 2022. Hammond Manufacturing Ltd. All rights reserved.

Mouser Electronics

Authorized Distributor

Click to View Pricing, Inventory, Delivery & Lifecycle Information:

[Hammond:](#)

[126B](#) [126A](#) [126C](#)