

# T70

## Quick exhaust valves



- > Port size: G1/8 ... G1/2
- > Enables air to be exhausted quickly from air cylinders
- > Allows higher cylinder speeds to be achieved
- > Simple, compact design and construction
- > Very reliable in operation



### Technical features

#### Medium:

Compressed air, filtered, lubricated or non-lubricated

#### Operation:

Poppet valve

#### Operating pressure:

0,5 ... 10 bar (7 ... 145 psi)

#### Port size:

G1/8,G1/4,G3/8,G1/2

#### Mounting:

Line mounted

#### Ambient/Media temperature:

-20°C ... +80°C max. (-4 ... +176°F)

Air supply must be dry enough to avoid ice formation at temperatures below +2°C (+35°F)

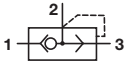
#### Materials:

Body and Cover:

Aluminium or zinc alloy

Seals: NBR

### Technical data, standard models

| Symbol  | Port size |        |         | Flow factor 1 » 2 |      | Flow factor 2 » 3 |       | Flow from 1 » 2 at 6 » 5 bar |        | Weight (kg) | Spare kit | Model *3)  |          |
|---|-----------|--------|---------|-------------------|------|-------------------|-------|------------------------------|--------|-------------|-----------|------------|----------|
|   | Inlet     | Outlet | Exhaust | C *1)             | Cv   | Kv *2)            | C *1) | Cv                           | Kv *2) |             |           |            |          |
|  | G1/8      | G1/8   | G1/8    | 3,8               | 0,93 | 0,81              | 7     | 1,72                         | 1,49   | 837         | 0,15      | T70C1800K0 | T70C1800 |
|   | G1/4      | G1/4   | G1/4    | 7,4               | 1,8  | 1,58              | 9,7   | 2,38                         | 2,07   | 1289        | 0,13      | T70C2800K0 | T70C2800 |
|   | G3/8      | G3/8   | G3/8    | 14,5              | 3,55 | 3,1               | 20,5  | 5                            | 4,37   | 2656        | 0,21      | T70C3800K0 | T70C3800 |
|   | G1/2      | G1/2   | G1/2    | 19,7              | 4,83 | 4,2               | 25    | 6,13                         | 5,33   | 3101        | 0,19      | T70C4800K0 | T70C4800 |

\*1) Measured in dm<sup>3</sup>/(s.bar)

\*2) Measured in m<sup>3</sup>/h

### Options selector

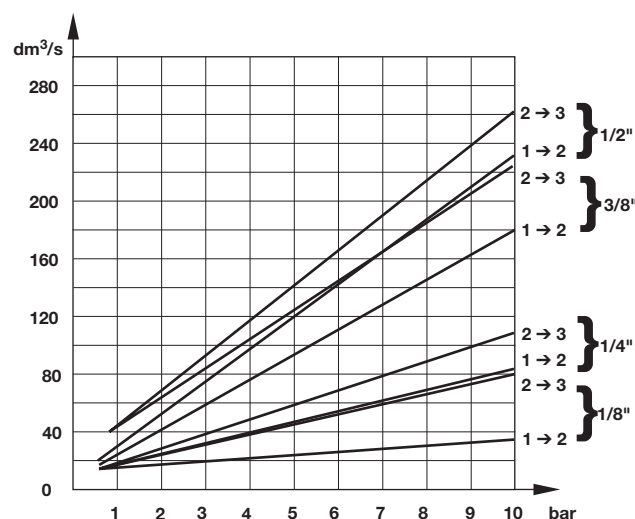
T70★☆☆00

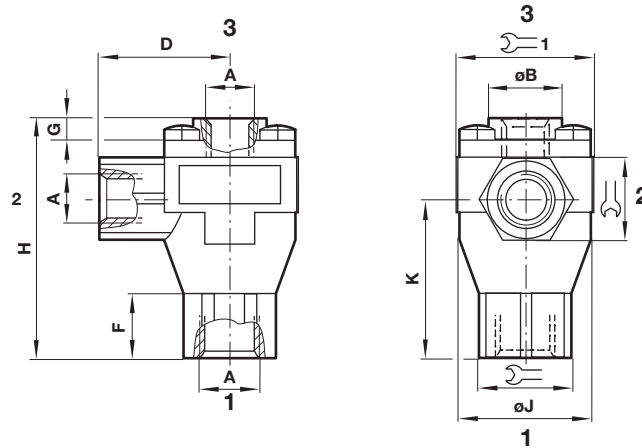
| Thread form     | Substitute |
|-----------------|------------|
| ISO G, parallel | C          |
| NPT             | A          |



| Port size | Substitute |
|-----------|------------|
| 1/8"      | 18         |
| 1/4"      | 28         |
| 3/8"      | 38         |
| 1/2"      | 48         |

### Characteristic curves

Choked flow versus inlet pressure  
Way (1 » 2) and (2 » 3)



**Drawing**

 Dimensions in mm  
 Projection/First angle


| A     | ØB | D  | F    | G   | H    | ØJ | K    |  |  | Model    |
|-------|----|----|------|-----|------|----|------|---|---|----------|
| G 1/8 | 19 | 28 | 15,5 | 3,5 | 53   | 29 | 35,5 | 19  | 30  | T70C1800 |
| G 1/4 | 19 | 28 | 15,5 | 3,5 | 53   | 29 | 35,5 | 19  | 30  | T70C2800 |
| G 3/8 | 30 | 40 | 15,5 | 4   | 73,5 | 46 | 48   | 30  | 46  | T70C3800 |
| G 1/2 | 30 | 40 | 15,5 | 4   | 73,5 | 46 | 48   | 30  | 46  | T70C4800 |

**Warning**

These products are intended for use in industrial compressed air systems only. Do not use these products where pressures and temperatures can exceed those listed under **»Technical features/data«**.

Before using these products with fluids other than those specified, for non-industrial applications, life-support systems or other applications not within published specifications, consult Norgren.

Through misuse, age, or malfunction, components used in fluid power systems can fail in various modes.

The system designer is warned to consider the failure modes of all component parts used in fluid power systems and to provide adequate safeguards to prevent personal injury or damage to equipment in the event of such failure.

System designers must provide a warning to end users in the system instructional manual if protection against a failure mode cannot be adequately provided.

System designers and end users are cautioned to review specific warnings found in instruction sheets packed and shipped with these products.