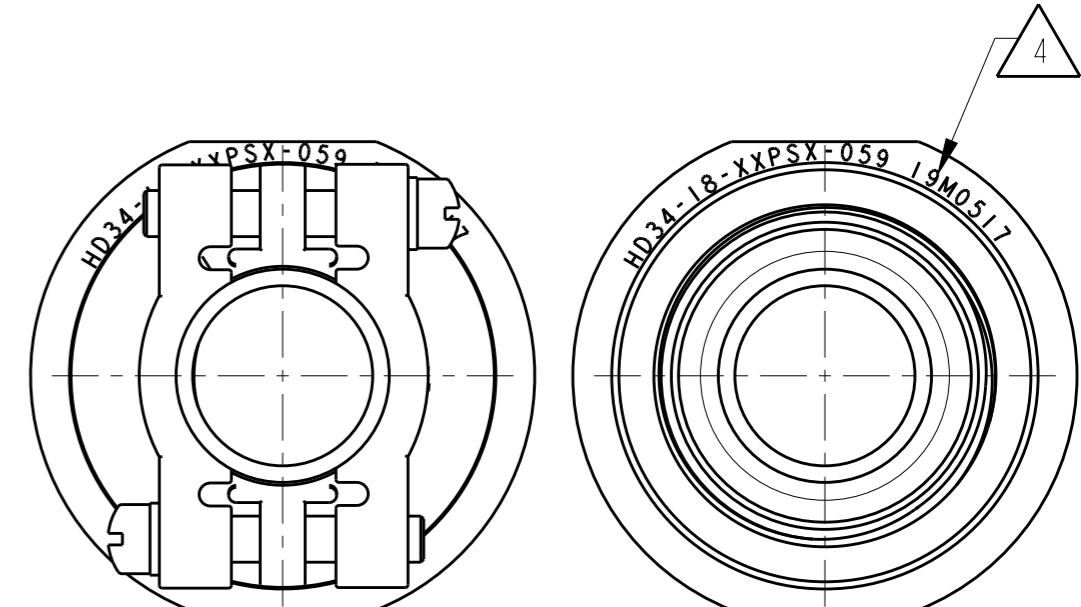
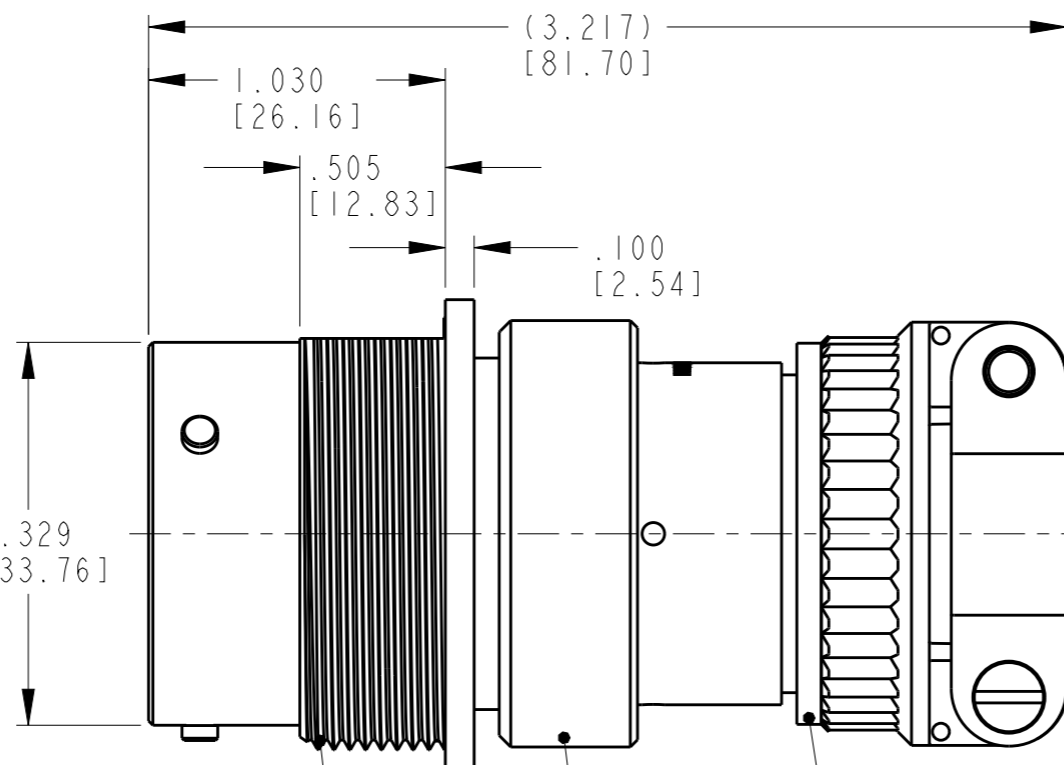
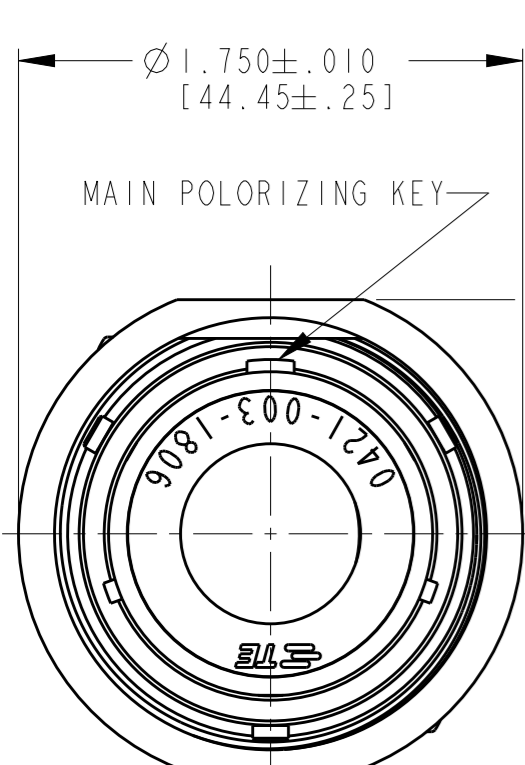
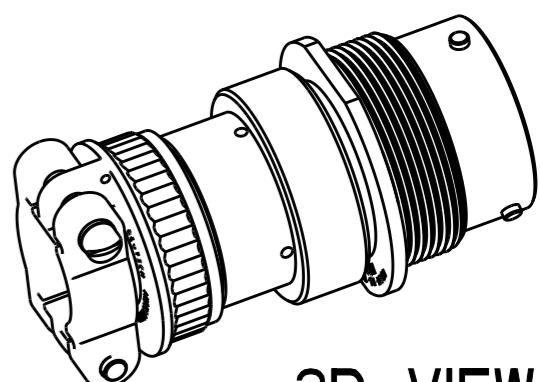


THIS DRAWING IS UNPUBLISHED  
 RELEASED FOR PUBLICATION 2015  
 © COPYRIGHT 2015 BY - TE CONNECTIVITY ALL RIGHTS RESERVED.

LOC		DIST		REVISIONS			
P	LTR	DESCRIPTION	DATE	DWN	APVD		
-	-	NC	NEW RELEASE PER E.O. P19459	12FEB2014	-	RDR	
-	-	A	REVISED PER E.O. P21009	19JUL2007	-	RDR	
-	-	A1	REVISED PER ECO-15-001798	19MAR2015	VNB	DM	
-	-	A2	REVISED PER PCN E-20-000705	27JAN2020	PK	DM	



CABLE CLAMP ASSEMBLY HIDDEN VIEW



3D VIEW


4 DATE CODE: IDENTIFIES THE YEAR, MONTH, DAY AND HOUR OF ASSEMBLY.  
 YEAR: FIRST AND SECOND DIGITS. (14=2014)  
 MONTH: THIRD DIGIT, EXCLUDING 1. A=JAN., B=FEB., C=MARCH... (K=OCT.)  
 DAY: FOURTH AND FIFTH DIGITS (14=14th DAY)  
 HOUR: SIXTH AND SEVENTH DIGITS (11=11AM)

3 MATERIAL:  
 ADAPTER: 6061-T6 ALUMINIUM ALLOY,  
 GROMMET: SILICONE VMQ (RED),  
 RETAINER RING: PA66 GF10.

2. THE CONNECTOR MATES WITH HD36-24-XXP/SX-XXXX  
 X - SEAL DESIGNATION, XX = NUMBER OF CAVITIES,  
 XXXX = MODIFICATION DESIGNATION.

1. FOR ARRANGEMENT OF CONTACT LOCATION  
 SEE ENVELOPE DRAWING 0425-013-1800.

NOTES:

THIS DRAWING IS A CONTROLLED DOCUMENT.		DWN A. MALAGON 30 JAN 2007	 TE Connectivity	
DIMENSIONS: INCHES [mm]		CHK B. BAYFORD 06 FEB 2007		
TOLERANCES UNLESS OTHERWISE SPECIFIED:		APVD R. REED 12 FEB 2007	NAME RECEPTACLE CONNECTOR SHELL SIZE 18 BAYONET COUPLING MOD -059 HD30 SERIES	
0 PLC ±- 1 PLC ±- 2 PLC ±- 3 PLC ±.010 [±.254] 4 PLC ±- ANGLES ±0° 30' 0"		PRODUCT SPEC 108-151014	SIZE A3	CAGE CODE -
MATERIAL 3		APPLICATION SPEC 114-151014	DRAWING NO C=HD34-18-XXP/SX-059	RESTRICTED TO -
FINISH -		WEIGHT 109g	SCALE NONE	SHEET 1 OF 1
		Customer Drawing	REV A2	

# Mouser Electronics

Authorized Distributor

Click to View Pricing, Inventory, Delivery & Lifecycle Information:

[TE Connectivity:](#)

[HD34-18-8PE-059](#)