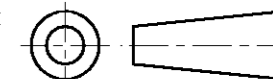


DO NOT SCALE
DIMENSIONS IN mm

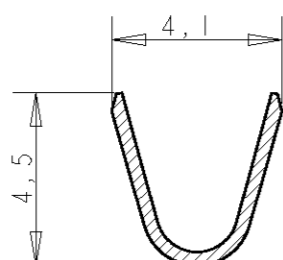
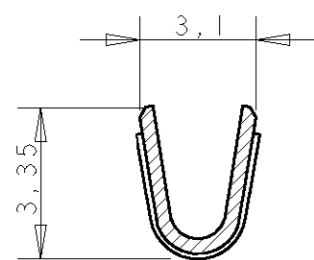
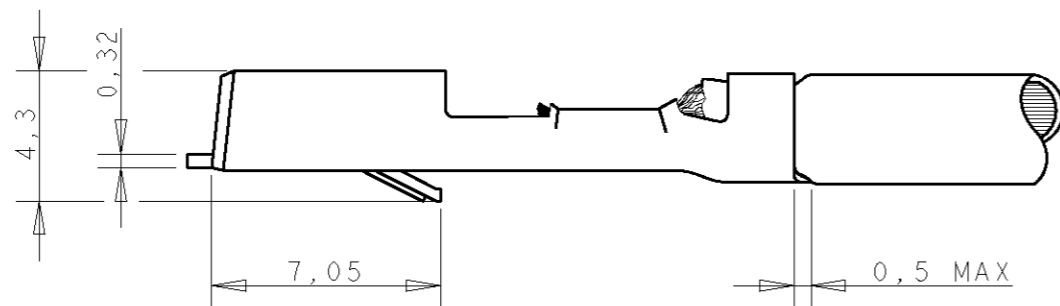
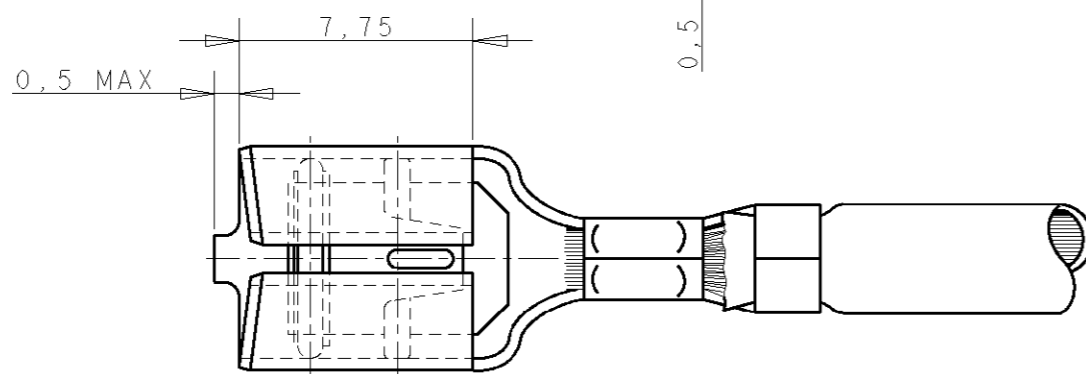
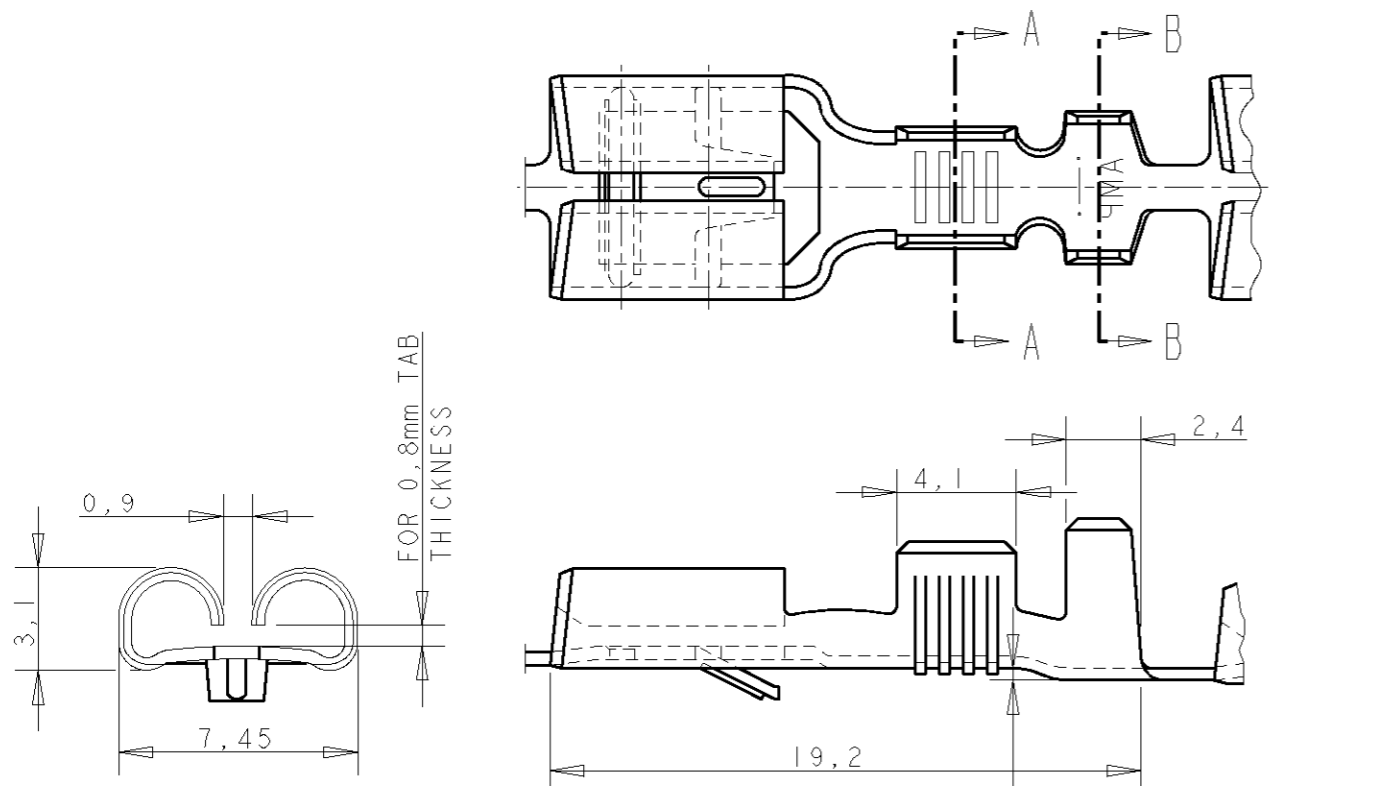
METRIC

THIRD ANGLE
PROJECTION

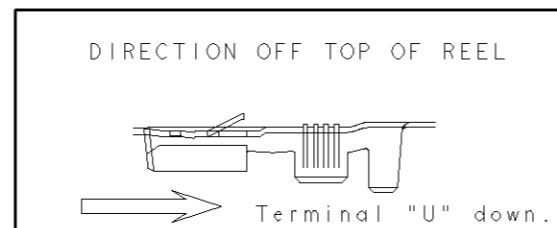


NOTES

- 1 NO BEAT IN LOCKING LANCE REQUIRED.
- 2 FOR HIGHER EXTRACTION FORCE APPLICATION.
- 3 OBSOLETE PARTS: OBSOLETE CIS STREAMLINING PER D.RENAUD/D.SINISI



WIRE RANGE :
0,5-1,5 mm²
INSULATION RANGE :
2,3-3,3mm DIA.



GENERAL TOLERANCES ±0.3

NOTES	FINISH	MATERIAL	PART NUMBER	REV
3 OBSOLETE		PRE-TINPLATED	PH. BRONZE	6-160526-8
		PRE-TINPLATED	BRASS	6-160526-7
	2 1	UNPLATED	BRASS	9-160526-4
		TINPLATED	PH. BRONZE	6-160526-2
		SILVERPLATED	BRASS	6-160526-1
		SILVERPLATED	PH. BRONZE	6-160526-0
		TINPLATED	PH. BRONZE	5-160526-9
		UNPLATED	PH. BRONZE	5-160526-8
		TINPLATED	BRASS	5-160526-7
		UNPLATED	BRASS	5-160526-6
		TINPLATED	PH. BRONZE	160526-4

CUSTOMER DRAWING FOR REFERENCE ONLY
WILL NOT BE UPDATED

THIS DRAWING IS UNPUBLISHED
RELEASED FOR PUBLICATION



NAME
FASTIN-FASTON® Connector,
.250" sr. REC. CONTACT.

AL3	REVISED PER ECO-11-005140	RK	HMR	01APR11	
LTR.	REVISION RECORD	DR.	CHK.	DATE	
DR.:	J.v.LIEMPT.	CHK.:	A.BIJNEN.	APP.:	L.v.SOEST.
DATE:	23 MAR 1992	DATE:	-	DATE:	-

DWG. No.	C-160526	REV. LTR.	AL3	SHEET	1 OF 1	A3
----------	----------	-----------	-----	-------	--------	----

Mouser Electronics

Authorized Distributor

Click to View Pricing, Inventory, Delivery & Lifecycle Information:

[TE Connectivity:](#)

[5-160526-7](#)