

THIS DRAWING IS UNPUBLISHED.

RELEASED FOR PUBLICATION

20

© COPYRIGHT 20

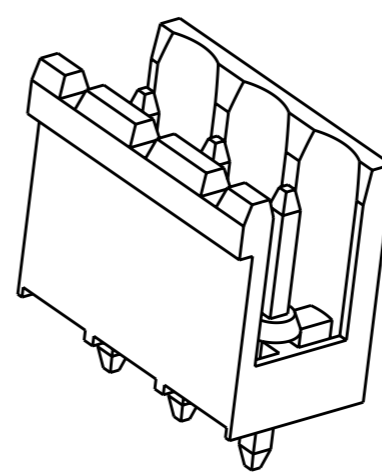
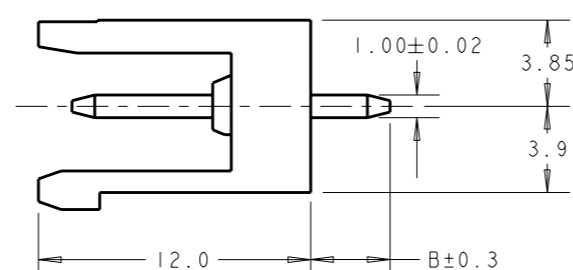
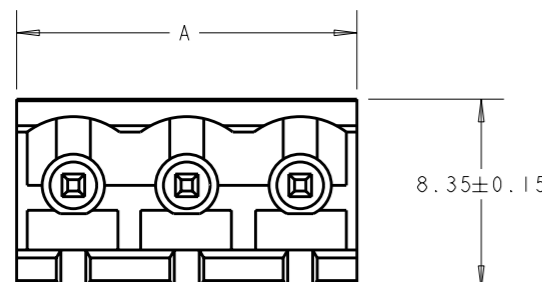
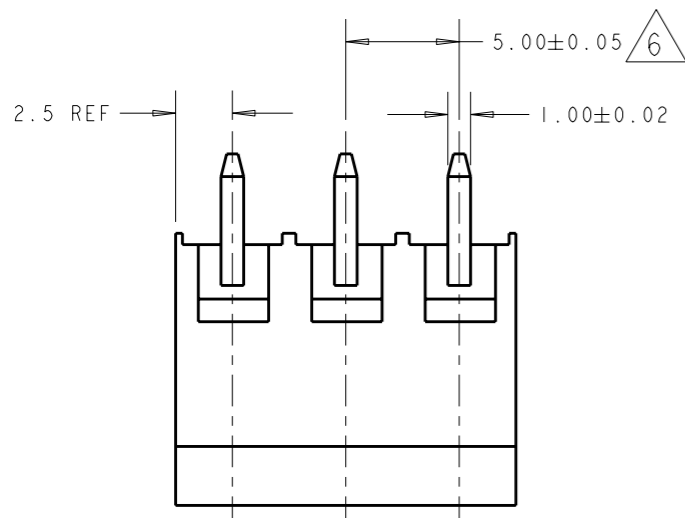
ALL RIGHTS RESERVED.

LOC	DIST
FT	0

REVISIONS

P	LTR	DESCRIPTION	DATE	DWN	APVD
	C2	REVISED PER ECO-12-007964	02MAY2012	KH	MS

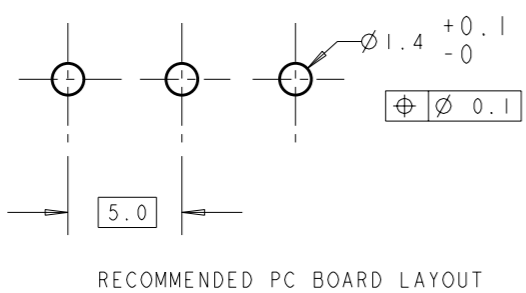
- 1 MATERIALS AND FINISH
HOUSING: PA 6-6, UL 94-V0, COLOR GREEN, RAL 7032.
TERMINAL: COPPER ALLOY, TIN PLATED.
- 2 SUITABLE FOR 1,6-2,4mm PC BOARD THICKNESS.
- 3 END-TO-END STACKABLE WITHOUT LOSS OF CENTERLINE SPACING.
- 4 RECOGNIZED UNDER THE COMPONENT PROGRAM OF UNDERWRITERS LABORATORIES INC., FILE N° E60677.
- 5 IMQ CERTIFICATE WITH SURVEILLANCE IN CONFORMITY WITH IEC 998-1/998-2-1.
- 6 NOT CUMULATIVE TOLERANCE.



282822-3 AS SHOWN

7.6	30	6	2-282822-6
	125	25	2-282822-5
	120	24	2-282822-4
	115	23	2-282822-3
	110	22	2-282822-2
	105	21	2-282822-1
	100	20	2-282822-0
	95	19	1-282822-9
	90	18	1-282822-8
	85	17	1-282822-7
	80	16	1-282822-6
	75	15	1-282822-5
	70	14	1-282822-4
	65	13	1-282822-3
	60	12	1-282822-2
	55	11	1-282822-1
	50	10	1-282822-0
	45	9	282822-9
	40	8	282822-8
	35	7	282822-7
	30	6	282822-6
	25	5	282822-5
	20	4	282822-4
	15	3	282822-3
	10	2	282822-2

DIM. B	DIM. A	N° POS.	PART NUMBER
--------	--------	---------	-------------



THIS DRAWING IS A CONTROLLED DOCUMENT.		DWN E. ZANOLINI 20 JUL 2001	TE Connectivity	
DIMENSIONS: mm		CHK D. BIEVENOUR 20 JUL 2001		
TOLERANCES UNLESS OTHERWISE SPECIFIED:		APVD D. BIEVENOUR 20 JUL 2001	NAME TERMINAL BLOCK HEADER ASSEMBLY 180 DEG OPEN ENDS, STACKING 5mm PITCH	
0 PLC ±-		PRODUCT SPEC 108-20166	SIZE A3	
1 PLC ±.2		APPLICATION SPEC 114-20079	CAGE CODE 00779	DRAWING NO C-282822
2 PLC ±.25		WEIGHT -	RESTRICTED TO -	
3 PLC ±-		CUSTOMER DRAWING	SCALE 3:1	
4 PLC ±-			SHEET 1 OF 1	
ANGLES ±2		REV C2		
MATERIAL	FINISH			

Mouser Electronics

Authorized Distributor

Click to View Pricing, Inventory, Delivery & Lifecycle Information:

[TE Connectivity:](#)

[282822-4](#)