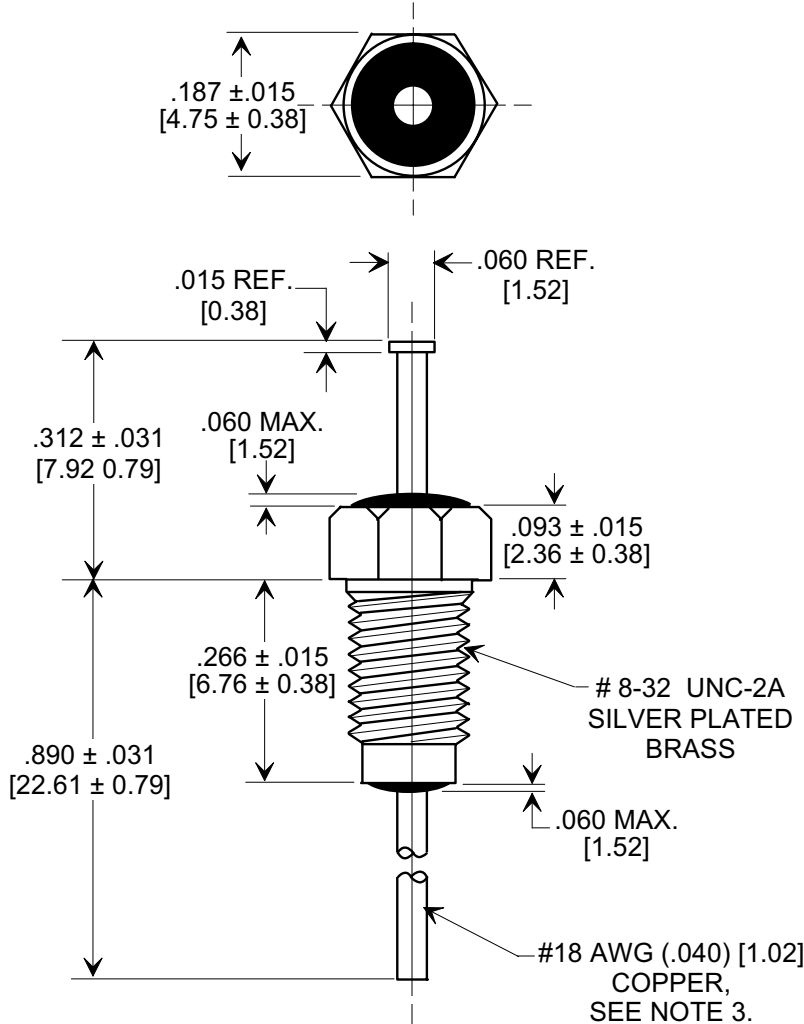
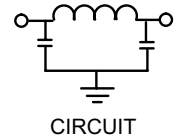
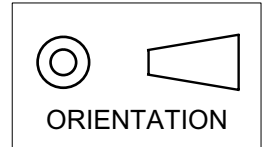


**MARKETING SALES DRAWING**

**DIMENSIONS IN INCHES - DO NOT SCALE THIS DRAWING**  
**DIMENSIONS IN METRIC - [ ]**

Electrical Testing  
 per Tusonix standard  
 test plans and Mil-Std-202  
 Test Methods.



**NOTES:**

- SUPPLIED WITH SILVER PLATED HEX NUT AND LOCKWASHER.
- TUSONIX STANDARD PART NUMBER: 4201-053.  
 TUSONIX RoHS COMPLIANT PART NUMBER: 4201-053 LF.  
 CUSTOMER MUST SPECIFY STANDARD OR RoHS PART NUMBER WHEN ORDERING.
- LEAD FINISH: STANDARD PART #: 60/40 SOLDER PLATED. RoHS PART #: SILVER PLATED.
- PART MARKING: TRADEMARK AND VARIATION NUMBER ON HEX FLATS.  
 STANDARD PART: BLACK INK. RoHS PART: GREEN INK.

MIN. CAP. (pF)	WORKING VOLTAGE (WVdc)		CURRENT (Idc)	I.R. MIN. @ 100 VDC	D.W.V.	MINIMUM NO LOAD INSERTION LOSS (dB) AT 25°C PER MIL-STD -220			
	85°C	125°C				10 MHz	100 MHz	1 GHz	10 GHz
5500	200	100	15 A	10 G	400 VDC	14	55	65	65

X-2015 Rev-0 <b>REVISION RECORD</b>	Original Release C.O. <b>19980310-7-01</b>	DIM'S IN METRIC & SYMBOL ORIENTATION & CIRCUIT SYMBOL ADDED L.E. 04-16-03 <b>20030414-3-02</b> ADDED NOTES. S.M. 07-28-05 <b>20050726-2-28</b>	--TOLERANCES-- Unless Otherwise Specified		Title <b>BUSHING MOUNT PI TYPE EMI FILTER</b>	
			DECIMAL ±	Drawn S.M. 03-11-98		Scale 4 X
			ANGLES ±	Approved H.R. 03-11-98		
			<b>TUSONIX</b> TUCSON, ARIZONA	<b>A</b>	<b>4201-053</b>	

# Mouser Electronics

Authorized Distributor

Click to View Pricing, Inventory, Delivery & Lifecycle Information:

[Tusonix / CTS:](#)

[4201-053LF](#)