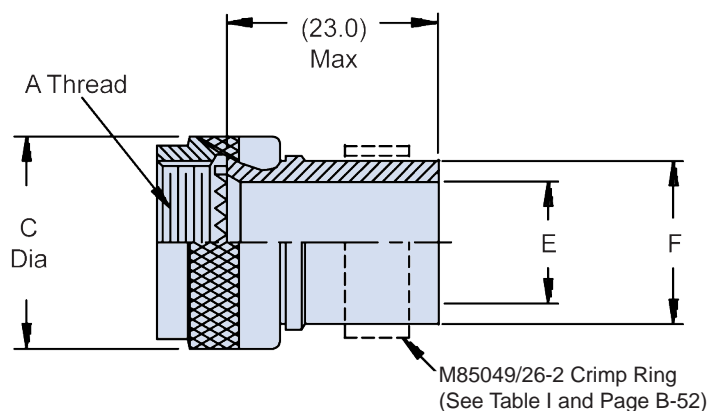




# AS85049/33-2

## Straight RFI/EMI Non-Environmental Backshell

**CONNECTOR DESIGNATOR:**
**F** MIL-DTL-38999 Series I and II

**Basic  
Part Number**
**Shell Size  
(Table I)**
**M85049/33-2**
**10**
**W**
**Finish**
*N = Electroless Nickel*
*W = 1,000 Hr. Cadmium Olive Drab over Electroless Nickel*
*X = Aluminum, Nickel Fluorocarbon Polymer*
*Z = Aluminum, Zinc-Nickel, Black*

**TABLE I: Adapter Shell Size, Thread, Dimensions and Crimp Ring Ref.**

Shell Size	A Thread Class 2B	C Dia Max	E Dia	F Dia Max	AS85049/26-2 Crimp Ring Ref
08	.438 - 28 UNEF	.750 (19.1)	.250 (6.4)	.347 (8.8)	8
10	.562 - 24 UNEF	.850 (21.6)	.325 (8.3)	.498 (12.6)	10
12	.688 - 24 UNEF	1.000 (25.4)	.420 (10.7)	.510 (13.0)	12
14	.813 - 20 UNEF	1.100 (27.9)	.540 (13.7)	.630 (16.0)	14
16	.938 - 20 UNEF	1.250 (31.8)	.670 (17.0)	.760 (19.3)	16
18	1.063 - 18 UNEF	1.400 (35.6)	.789 (20.0)	.890 (22.6)	18
20	1.188 - 18 UNEF	1.500 (38.1)	.914 (23.2)	1.010 (25.7)	20
22	1.313 - 18 UNEF	1.650 (41.9)	1.039 (26.4)	1.130 (28.7)	22
24	1.438 - 18 UNEF	1.750 (44.5)	1.112 (28.2)	1.202 (30.5)	24

**APPLICATION NOTES**

- For complete dimensions see the applicable Military Specification.
- Metric dimensions (mm) are in parentheses.

**See Page B-52 for  
AS85049/26-2 Crimp Ring**

Dimensions in inches (millimeters) and are subject to change without notice.