



PRODUCT NUMBER

20020332-XXXXXXXXXL

20020332-

LF

PITCH

G: 5.00 mm  
H: 5.08 mm

POLES

02 : 2 POLES  
03 : 3 POLES  
08 : 8 POLES  
16 : 16 POLES

LF : DENOTED RoHS COMPATIBLE

1 : STANDARD PRODUCT  
W/ BOX PACKING

SCREW CODE

CODE	SCREW TYPE	AVAILABILITY
A	-/+	ON REQUEST ONLY
B	-	STANDARD

HOUSING CODE

CODE	COLOR	AVAILABILITY
1	GREEN(RAL 6018/T)	STANDARD
2	BLACK	ON REQUEST ONLY
3	GREY(RAL 7004/P)	ON REQUEST ONLY
4	BLUE(RAL 5015/A)	ON REQUEST ONLY

PROPERTY TABLE

FCI SERIES NAME		36-500	36-508
PITCH (mm)		5.00	5.08
VOLTAGE RATING (VAC)		300	300
CURRENT RATING (A)		10	10
1-WIRE		12~24	12~24
2-WIRE		18	18
1-WIRE		2.5	2.5
2-WIRE		1.0	1.0
1-WIRE		1.5	1.5
2-WIRE		0.75	0.75
OPENING CONTACT HOUSING(mm <sup>2</sup> )		2.5x2.5	2.5x2.5
WIRE STRIP LENGTH(mm)		6~7	6~7
TORQUE +/-10% (N-m/Lb-in)		0.4/3.5	0.4/3.5
SCREW		M2.5x0.4	M2.5x0.4
WITHSTANDING VOLTAGE (kV)		1.6	1.6
OPERATING TEMP. (°C)		-40~+115	-40~+115
SOLDERING TEMP. (°C)		250±10 (5 sec.)	250±10 (5 sec.)
POLES AVAILABLE		02~24	02~24
SAFETY CERTIFICATE		PENDING	PENDING

NOTES:

- MATERIAL:
  - 1-1 HOUSING: THERMOPLASTIC RESIN, UL94V-0 RATED.
  - 1-2 SCREW: STEEL, ZINC PLATED.
  - 1-3 CLAMP: BRASS, NICKEL PLATED (PITCH: 5.0); STEEL, ZINC PLATED (PITCH: 5.08)
  - 1-4 TERMINAL: COPPER ALLOY, TIN PLATED.
- PRODUCTION SPECIFICATION REFER TO FCI GS-12-625.
- PACKAGING SPECIFICATION REFER TO FCI GS-14-1394.
- FCI, SAFETY CERTIFICATE LOGO AND SERIES NAME TO BE SHOWN ON PRODUCT SURFACE.
- THE PRODUCTS WHERE THE PART NUMBER END IN "LF" MEET THE EUROPEAN UNION DIRECTIVE AND OTHER COUNTRY REGULATIONS AS DESCRIBED IN GS-22-008.
- RECOMMENDED SOLDERING PROCESS BY WAVE SOLDER.

mat'l. code		surface	tolerance	projection	product family	TERMINAL BLOCK
itr	ecn. no	date	ASME Y14.5	ASME Y14.5	title	TERMINAL BLOCK
A	T10-0063 WL	030310	tolerances unless otherwise specified			FIXED HORIZONTAL
B	T10-0059 WL	050710	X:±0.5	MM		
C	T10-0172 WL	102010	X:±0.3	INCH		
D	T10-0177 WL	110410	X:XX±0.1	scale		
E	T10-0187 WL	121410				
F	T-012051 LS	082912				
sheet	revision	F	appd	JOSEPH HSIA	020210	
index	sheet	1				
		2				
		3				
		4				

dwg no	20020332	sheet 1 of 2 size
type	CUSTOMER Drawing	A4



FCIconnect.com

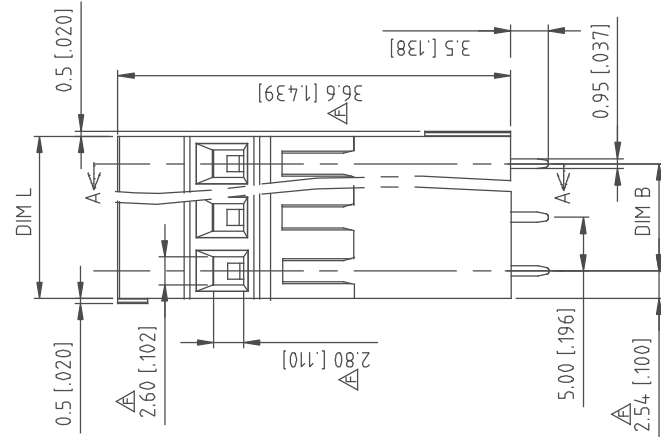
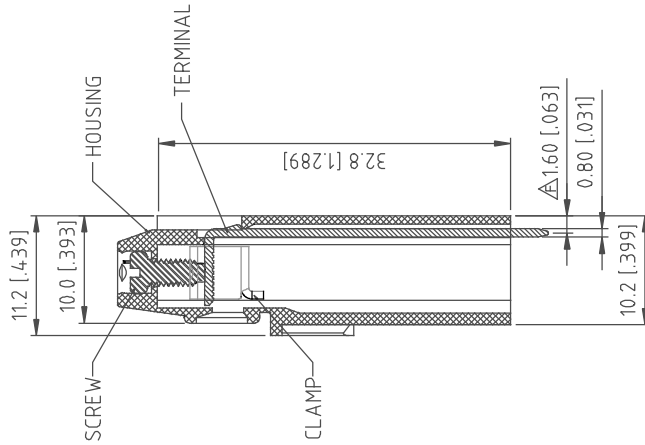
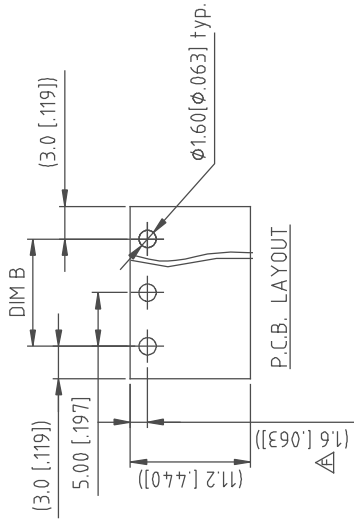
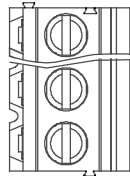
Copyright FCI.

1 | 2

3 |

4

PRODUCT NUMBER	SERIES NAME	PITCH
20020332-GXXXXXXLF	36-500	5.00 mm



Dimension L & B

DIM L	Nx5.0[.197]
DIM B	(N-1)x5.0[.197]

N=Number of poles

Poles	L&B Tolerance
2P-4P	$\pm 0.15[.006]$
5P-8P	$\pm 0.25[.010]$
16P	$\pm 0.35[.014]$

mat'l. code		surface	tolerance	projection	product family	TERMINAL BLOCK
itr	ecn no dr	ASME Y14.5	ASME Y14.5		title	
F		tolerances unless otherwise specified			TERMINAL BLOCK	
	date	angles	X.X±0.3	MM	FIXED HORIZONTAL	
		X:±1	X.XX±0.1	INCH		
		dr	WENDY CHEN 020210	scale		
		engr	JASON HSU 020210			
		chr	GARY HSIEH 020210			
		appd	JOSEPH HSIA 020210			
sheet	revision				dwg no	sheet 2 of size
index	sheet				20020332	A4
					type	CUSTOMER Drawing

form: A4mmXc

1 |

2 |

3 |

4



FCIconnect.com

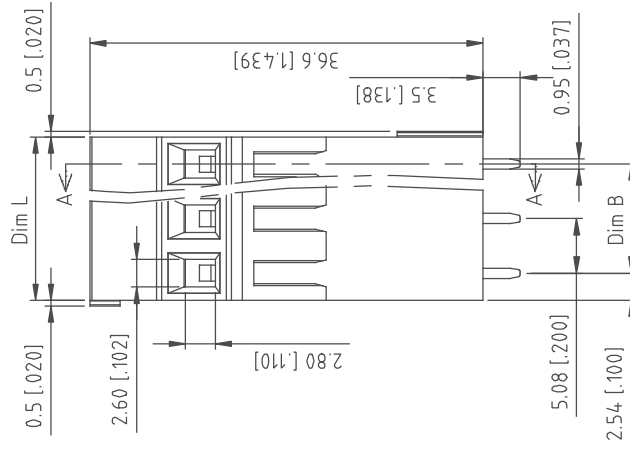
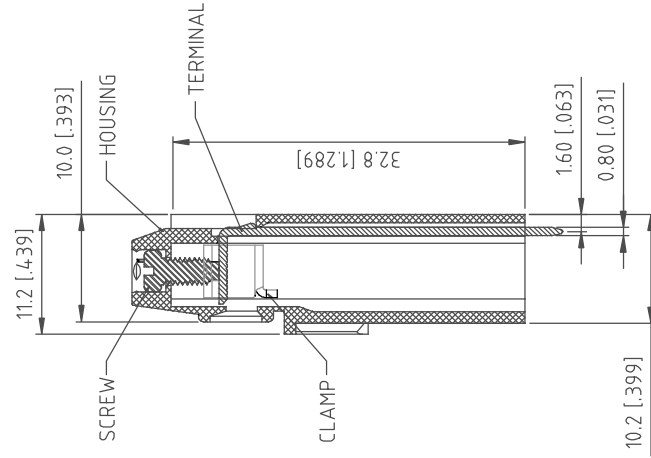
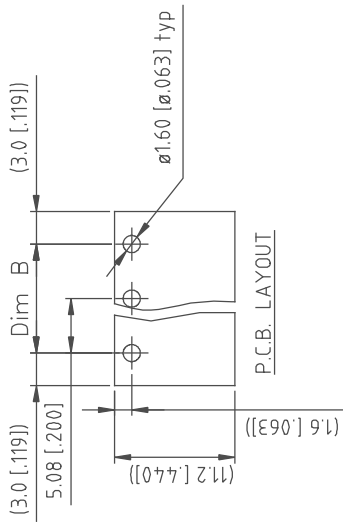
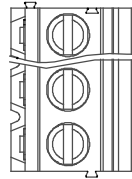
Copyright FCI.

1 | 2

3 |

4

PRODUCT NUMBER	SERIES NAME	PITCH
20020332-HXXXXXXXXLF	36-508	5.08 mm



Dimension L&B

DIM L	Nx5.08[.200]
DIM B	(N-1)x5.08[.200]

N=Number of contacts

Poles	L&B Tolerance
2P-4P	±0.15[.006]
5P-8P	±0.25[.010]
16P	±0.35[.014]

SEC. A-A

itr	ecn	no	dr	date	surface	tolerance	projection	product family
F					ASME Y14.5	ASME Y14.5		TERMINAL BLOCK
					tolerances unless otherwise specified			title
					angles	X.±0.5	MM	TERMINAL BLOCK
					X.±1°	X.X±0.3	INCH	FIXED HORIZONTAL
					X.XX±0.1		scale	dwg no
					dr	WENDY CHEN	020210	sheet 3 of
					enr	JASON HSU	020210	size
					chr	GARY HSIEH	020210	A4
					appd	JOSEPH HSIA	020210	customer Drawing
sheet	revision							
index	sheet							

form: A4mmXc

2 |

3 |

4