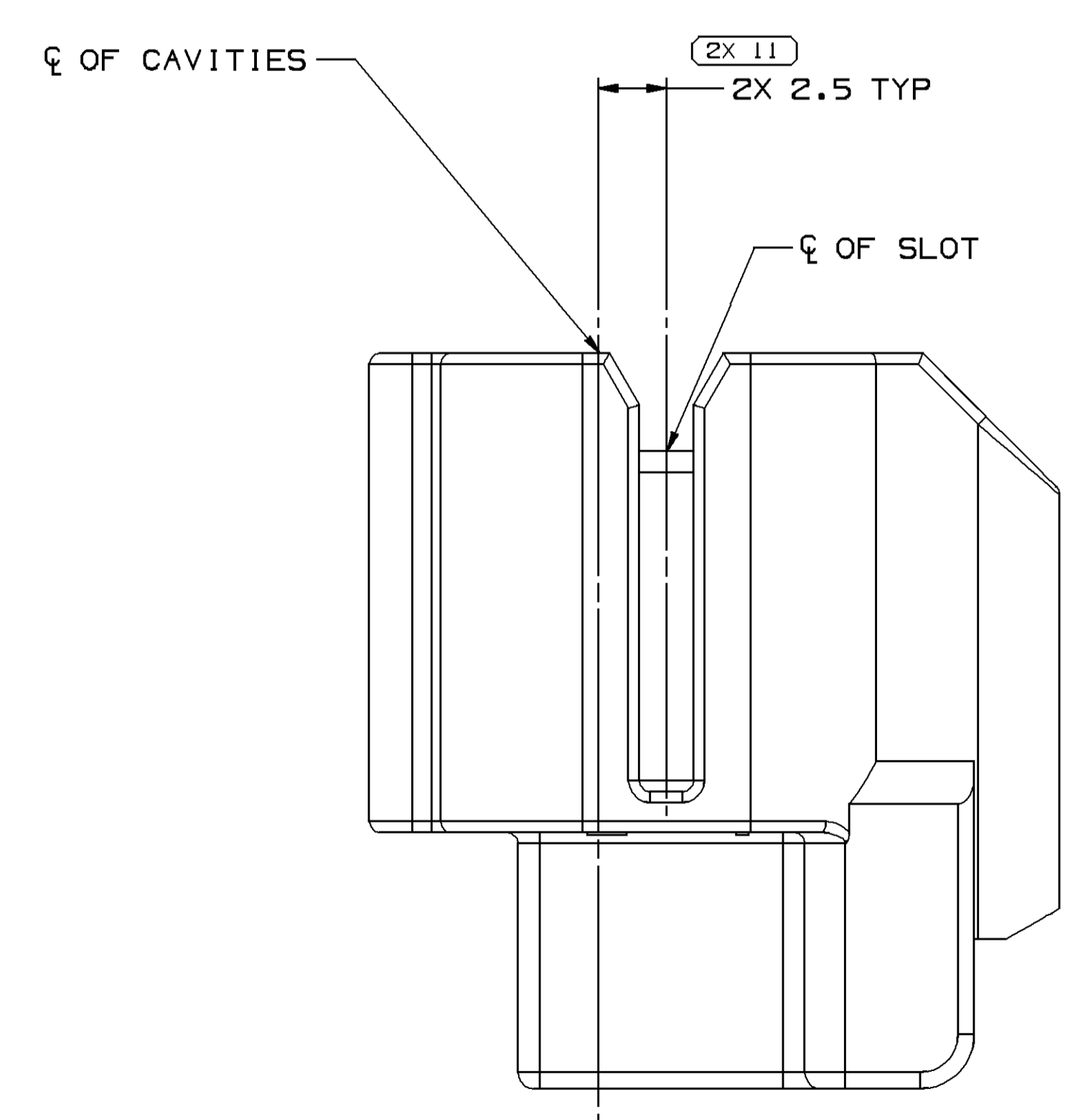
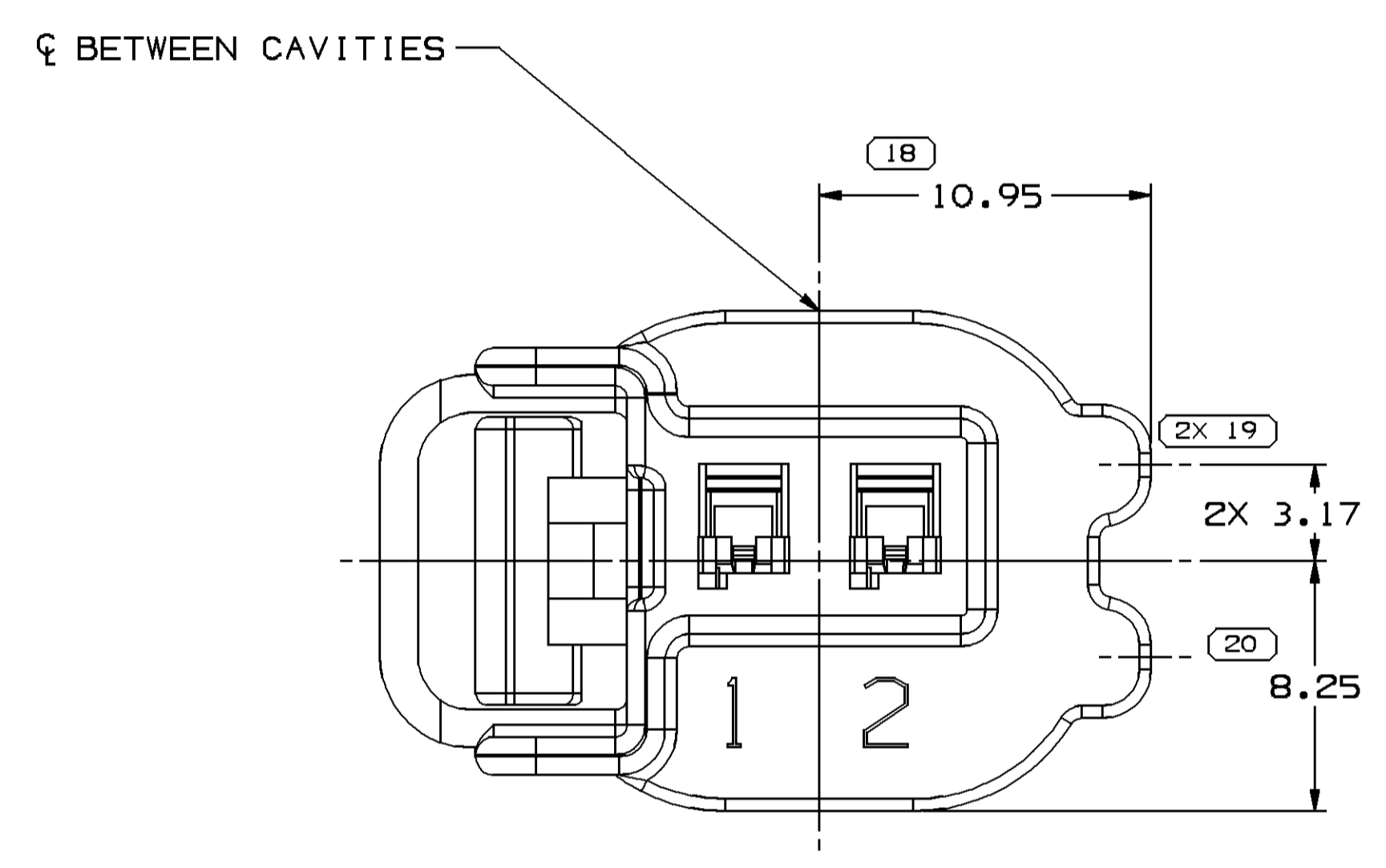
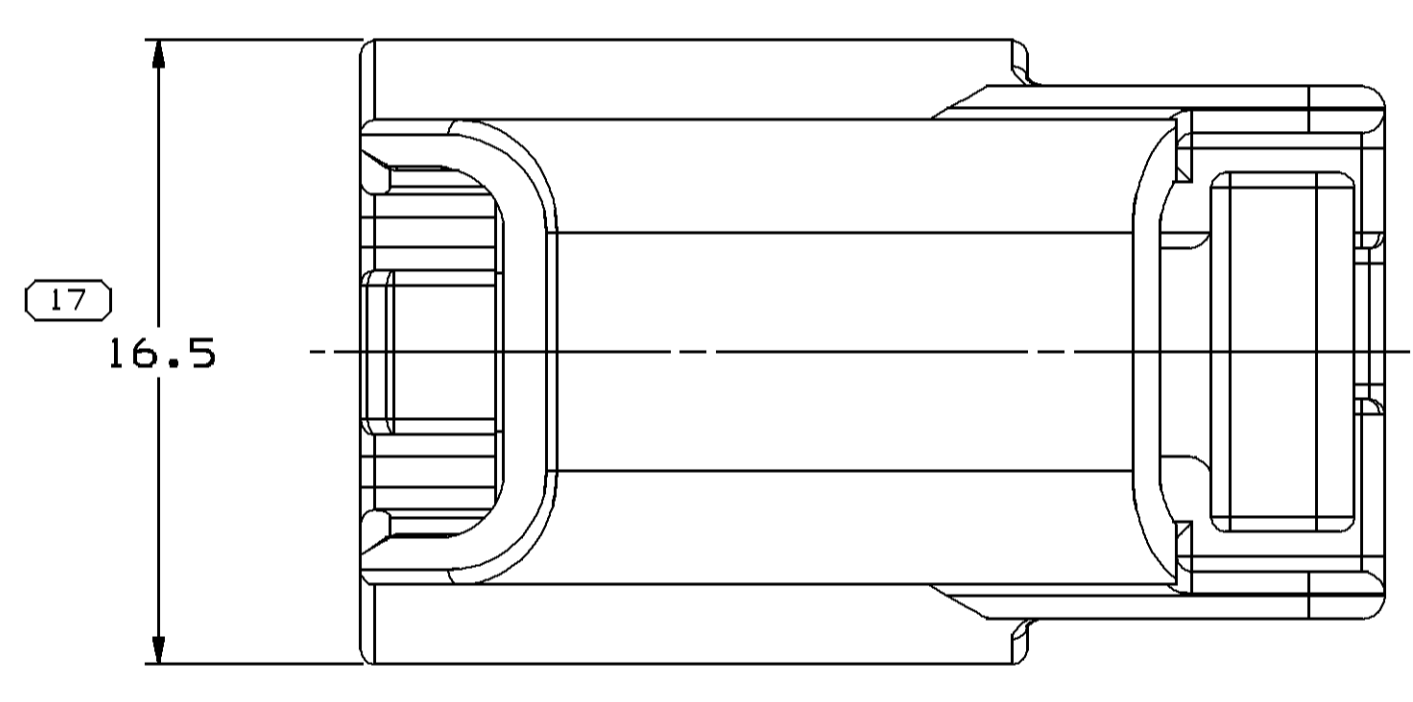
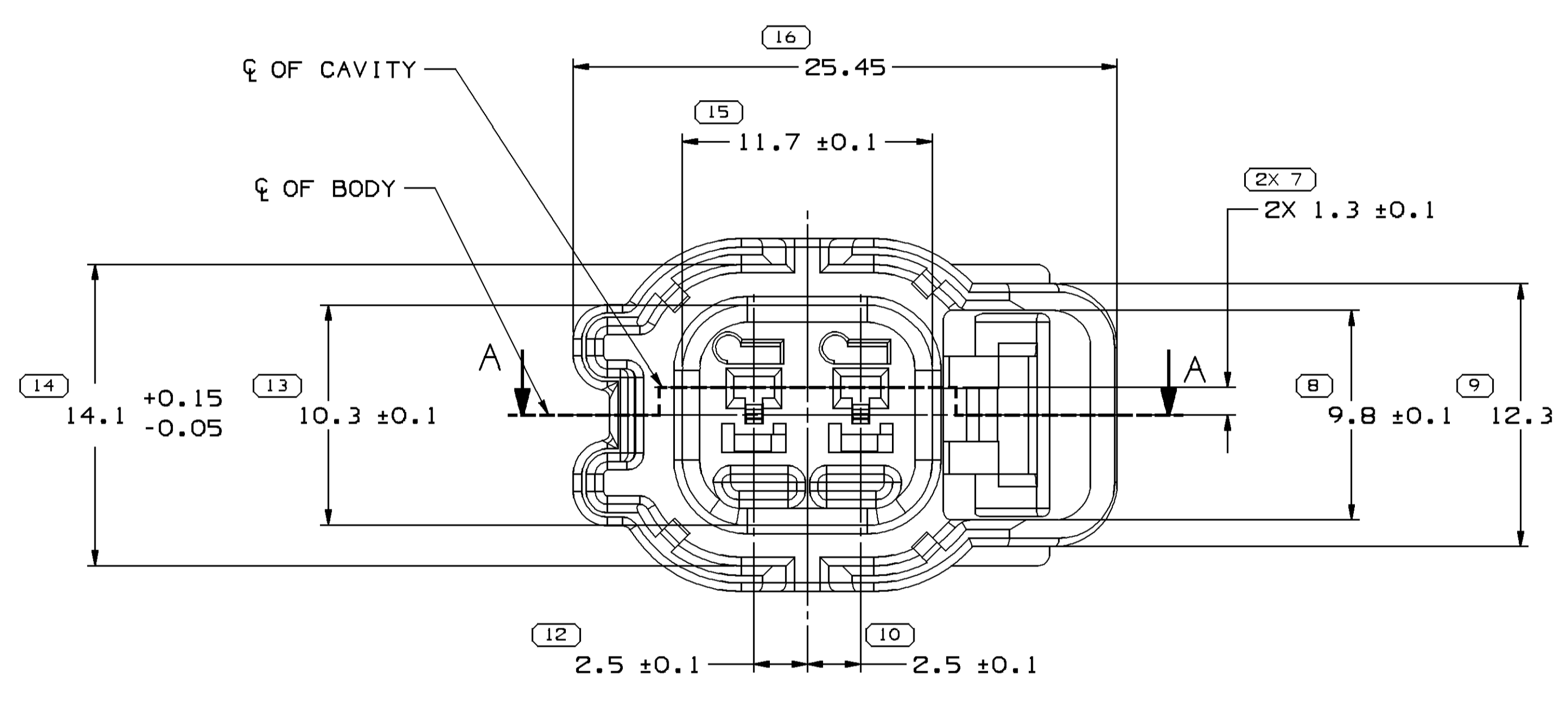
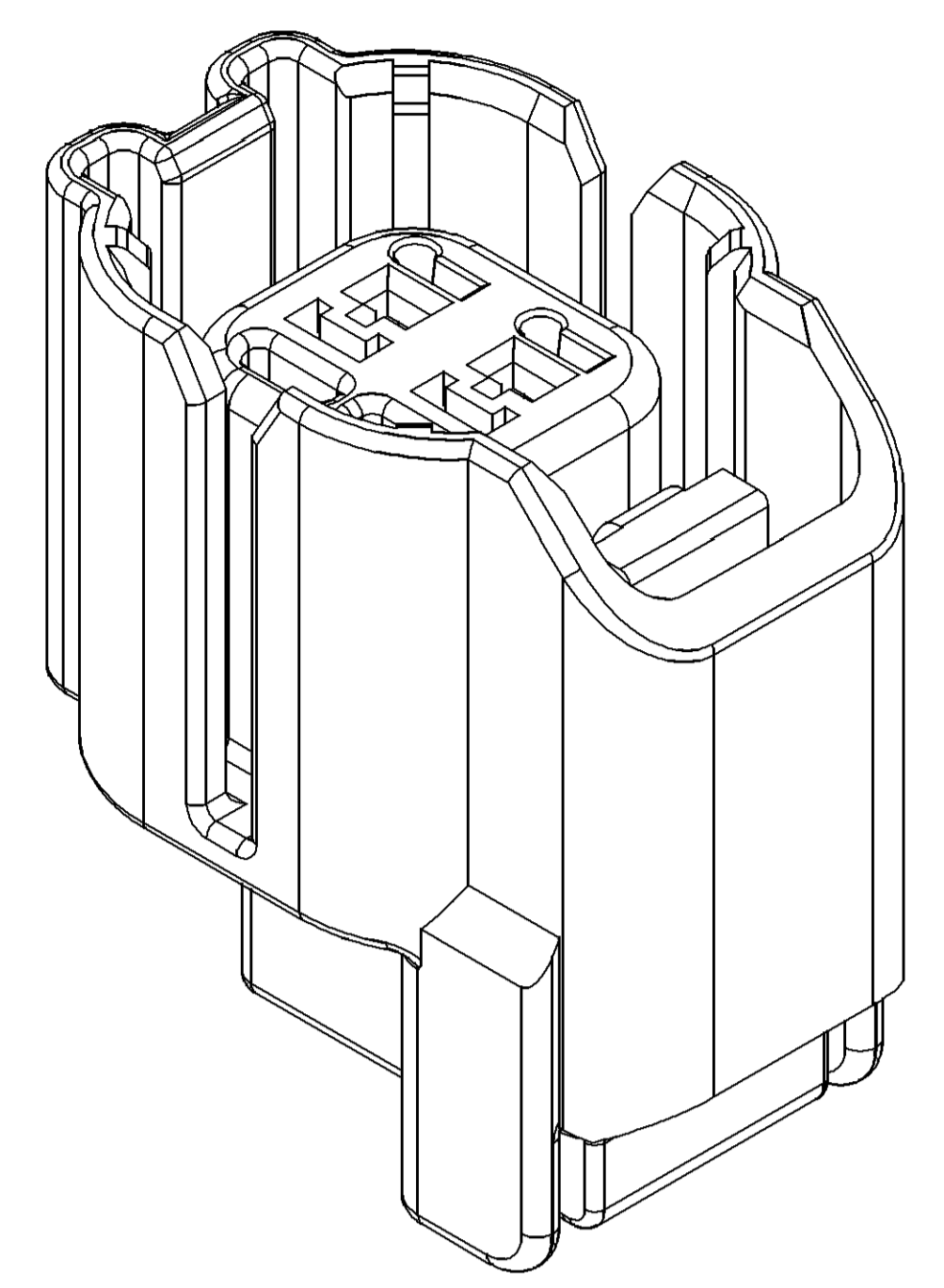
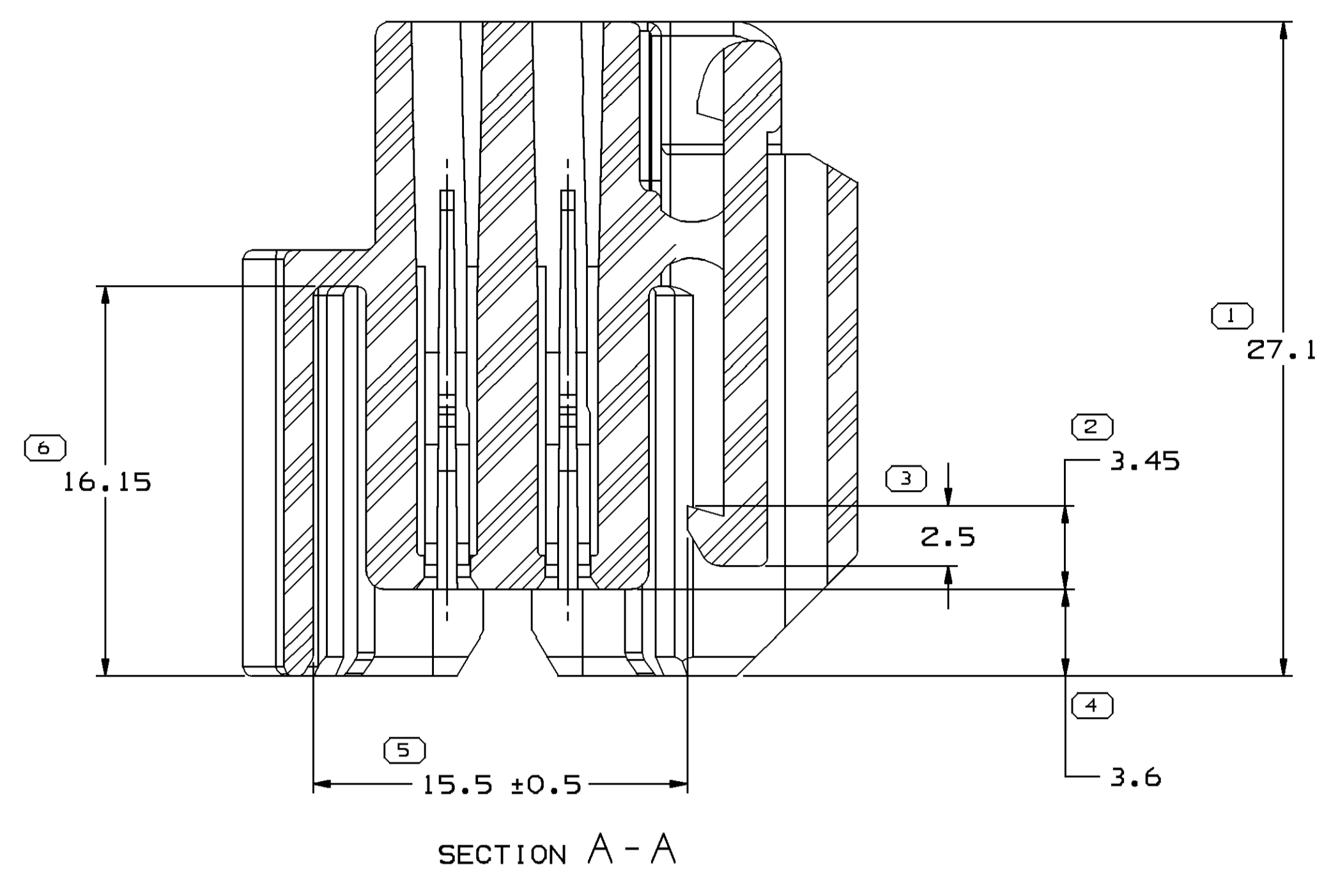


SYMBOL DEFINITION		TOTAL NO OF INSPECTIONS REQUIRED	MISSING SYMBOLS
A DIMENSION WITHOUT AN INSPECTION REPORT SYMBOL DOES NOT REQUIRE INSPECTION. IT MAY BE CONTROLLED ON THE INDIVIDUAL COMPONENT DRAWING.		23	NO MISSING SYMBOL NUMBER
LAST NO. USED		20	

DATE		STG	REV	N/P	CHG	ZONE	REVISION HISTORY	AUTH	DR	AP/VD	AP/VD
28MR08	R	01	-	-	-	-	RELEASE PD DRAWING	404236	JBN	JWG	EZ
29MY08	R	02	-	-	-	-	REVISED DIM. #2 3.45+/-0.15 WAS 3.95+/-0.15	404890	JBN	JWG	EZ
15AU08	R	02	AA	-	-	-	ADDED NOTE 5	405767	JBN	JWG	EZ



NOTES

- UNLESS OTHERWISE SPECIFIED AND/OR INDICATED:
DIMENSIONS ARE TO FACE OF VIEW SHOWN AND AUTOMATICALLY ROUNDED BY COMPUTER FOR INSPECTION (SEE MATH MODEL FOR PRECISE DIMENSIONS). FOR ALL OTHER DIMENSIONS NOT SHOWN BUT REQUIRED FOR TOOL BUILD, SEE MATH MODEL FOR PRECISE TOOL PATH DATA.
- THIS PART ACCEPTS THE FOLLOWING COMPONENTS OR EQUIVALENT:
TERMINAL 13526678
- FOR APPLICATION DATA SEE THE APPLICATION DRAWING.
- DRAFT ANGLE PERMISSIBLE ONLY WITHIN DRAWING TOLERANCE.
- TERMINAL POSITION REQUIRES THE USE OF A DELPHI PACKARD NORTH AMERICA ELECTRICAL TEST HOLDER OR A DELPHI PACKARD NORTH AMERICA APPROVED EQUIVALENT. FAILURE TO DO SO CAN RESULT IN UNSEATED TERMINALS.

DWG TYPE PART DRAWING		DISTR CODE D																																				
VOLUME ICM# 3,807		UNLESS OTHERWISE SPECIFIED THIS DOCUMENT IS IN ACCORDANCE WITH ASME Y14.5M-1994 AS MODIFIED BY THE IN-SUPPLY DISCREPANCY AND TOLERANCE ADDENDUM-001. SEPARATE WRITINGS OF FEATURES MAY BE BASED SEPARATELY PER HOLDERS OF DWTN REFERENCES.																																				
ALL DIMENSIONS ARE IN MILLIMETERS		THIRD ANGLE PROJECTION																																				
DO NOT SCALE		USE MATH DATA																																				
<table border="1"> <thead> <tr> <th>DIMENSIONAL RANGE (MM)</th> <th>SHORT ET</th> </tr> </thead> <tbody> <tr> <td>FROM > 0</td> <td>> 30</td> </tr> <tr> <td>TO 20</td> <td>30</td> </tr> <tr> <td>20</td> <td>70</td> </tr> <tr> <td>70</td> <td>100</td> </tr> <tr> <td>100</td> <td>150</td> </tr> <tr> <td>150</td> <td>200</td> </tr> <tr> <td>200</td> <td>250</td> </tr> <tr> <td>250</td> <td>300</td> </tr> <tr> <td>300</td> <td>400</td> </tr> </tbody> </table>		DIMENSIONAL RANGE (MM)	SHORT ET	FROM > 0	> 30	TO 20	30	20	70	70	100	100	150	150	200	200	250	250	300	300	400	<table border="1"> <thead> <tr> <th>ANGULAR TOLERANCE</th> <th>±</th> <th>°</th> </tr> </thead> <tbody> <tr> <td>± 0.15</td> <td>± 0.2</td> <td>± 0.3</td> </tr> <tr> <td>± 0.3</td> <td>± 0.4</td> <td>± 0.5</td> </tr> <tr> <td>± 0.5</td> <td>± 0.6</td> <td>± 0.8</td> </tr> <tr> <td>± 1</td> <td>± 1.2</td> <td>± 1.5</td> </tr> </tbody> </table>		ANGULAR TOLERANCE	±	°	± 0.15	± 0.2	± 0.3	± 0.3	± 0.4	± 0.5	± 0.5	± 0.6	± 0.8	± 1	± 1.2	± 1.5
DIMENSIONAL RANGE (MM)	SHORT ET																																					
FROM > 0	> 30																																					
TO 20	30																																					
20	70																																					
70	100																																					
100	150																																					
150	200																																					
200	250																																					
250	300																																					
300	400																																					
ANGULAR TOLERANCE	±	°																																				
± 0.15	± 0.2	± 0.3																																				
± 0.3	± 0.4	± 0.5																																				
± 0.5	± 0.6	± 0.8																																				
± 1	± 1.2	± 1.5																																				

DELPHI
DELPHI PACKARD ELECTRIC SYSTEMS
WARREN, OH

DR	DATE
APV01 JIANBIAO NI	28MR08
APV02 KUN WU	28MR08
APV03 JIANWEI GUO	28MR08
APV04 ERIC ZHOU	28MR08
APV05	

SUBSTANCES OF CONCERN AND RECYCLED CONTENT PER DELPHI 10949001

MATERIAL
POLYESTER BLEND

DRAWING NAME
CONN 2 F GT FBT 150

DRAWING NUMBER
13699622

SIZE AD
SCALE 5:1
FRAME NO 1 OF 1
SHEET NO 1 OF 1
STG REV N/P
R 02 AA

Mouser Electronics

Authorized Distributor

Click to View Pricing, Inventory, Delivery & Lifecycle Information:

[Aptiv:](#)
[13699622](#)