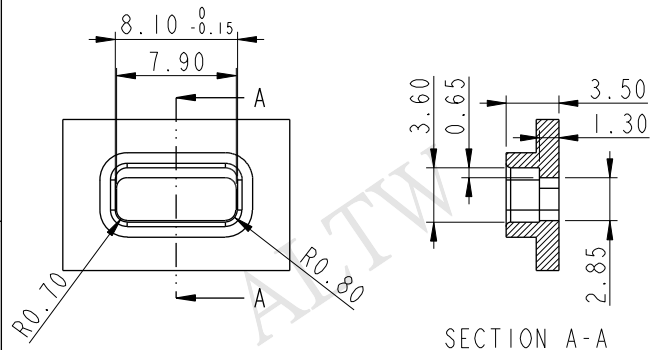


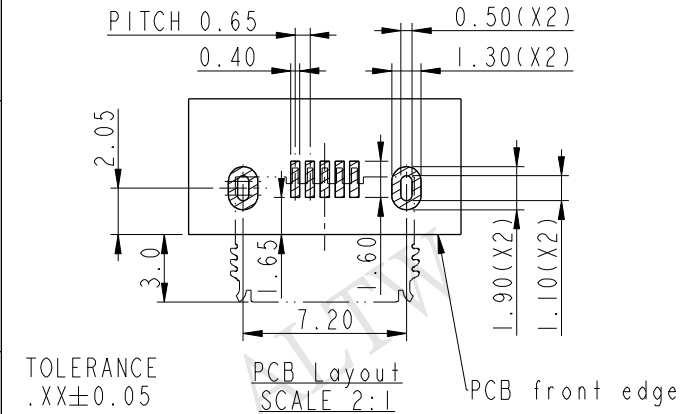
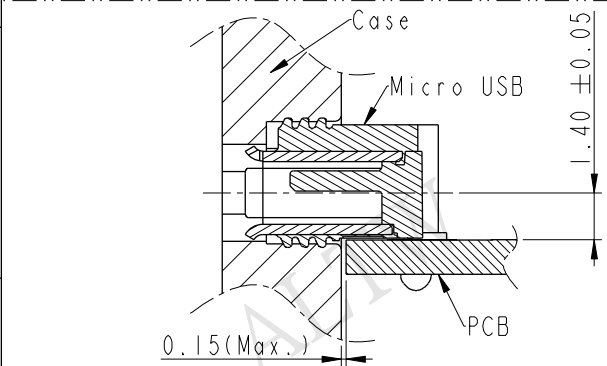
THIS DOCUMENT IS SUBJECT TO CHANGE WITHOUT NOTICE. IT IS CONFIDENTIAL AND A PROPERTY OF Amphenol LTW. DISCLOSURE TO THIRD PARTY HAS TO BE AUTHORIZED BY Amphenol LTW.

REV.	ECN NO.	DATE	SIGN	DESCRIPTION
A	Initial Release	2016/07/25	Jason Yu	New Item

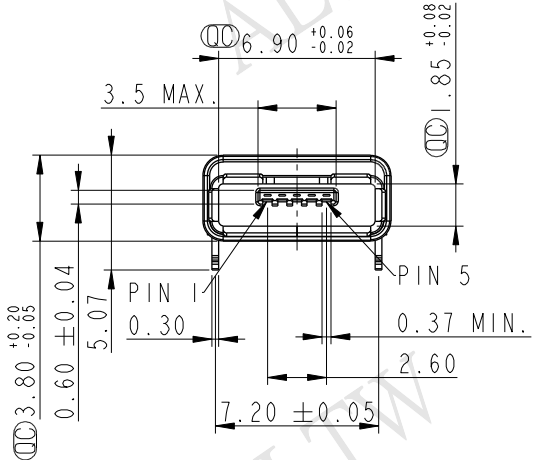
ALTW
CONFIDENTIAL
2016-07-25
R&D DEPT.



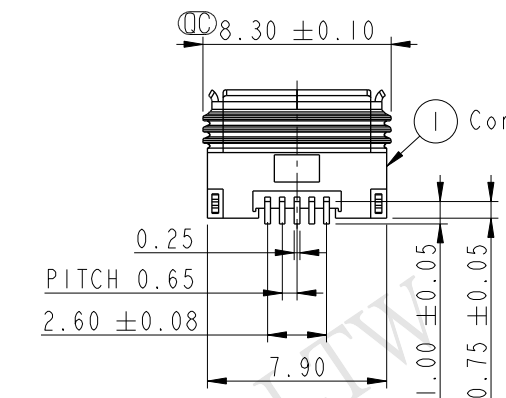
TOLERANCE Recommended Case Cut Out
 .XX±0.05 SCALE 2:1



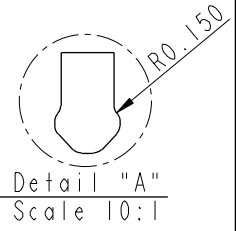
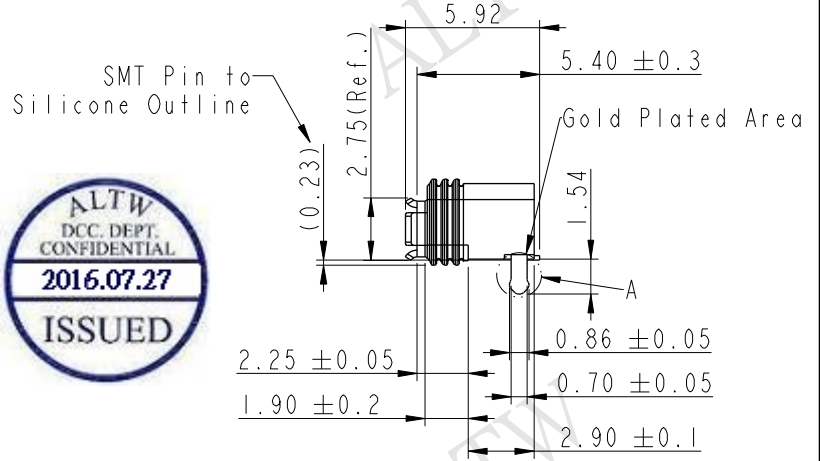
TOLERANCE
 .XX±0.05
 PCB Layout
 SCALE 2:1
 PCB front edge



MUC-20PFFR-JSXX02



ALTW
DCC. DEPT.
CONFIDENTIAL
2016.07.27
ISSUED



- Note:
- * (⊙) Important Dimensions To Check
 - * Current: 1&5pin(1.8A), 2~4 pin(1.0A)
 - * Housing: Nylon, Black
 - * Terminal: Copper Alloy, Gold Plated
 - * Shell: Stainless, Gold Plated
 - * Inner Gasket: Silicone, Transparent
 - * Outside Gasket: Silicone, Transparent
 - * PCB Thickness: 1.2 MAX.
 - * For Micro USB A & B type plug use
 - * SMD Temperature & Time: 260°C / 5 sec

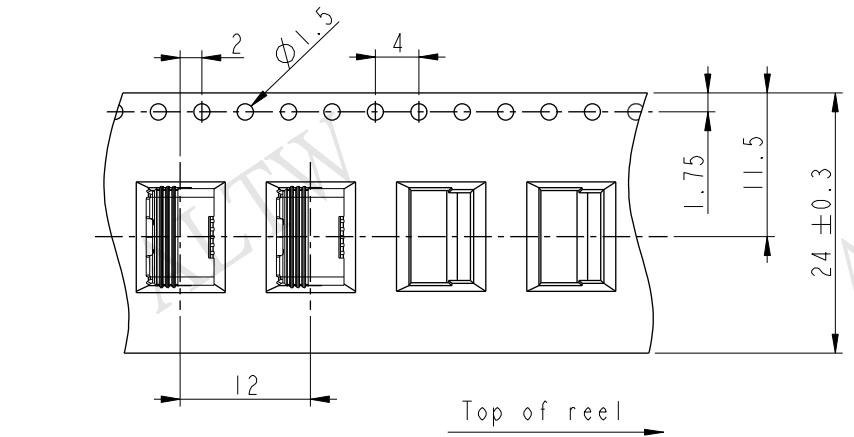
UNIT: mm			TITLE WATERPROOF MICRO-AB USB PANEL 20MAB F CONN JACK LENGHT PIN			
TOLERANCE .X ±0.25 .XX ±0.1 .XXX ±0.05 ANGLES ±1°	SCALE 3:1		SIZE A4	SHEET 1 OF 4	REV. A	
		WC-REV. A.6	⊙: Inspection item			

Amphenol LTW
 安費諾亮泰企業股份有限公司

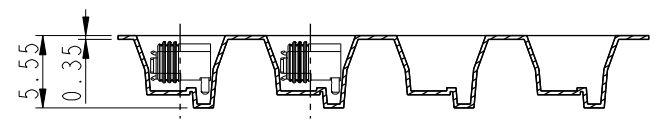
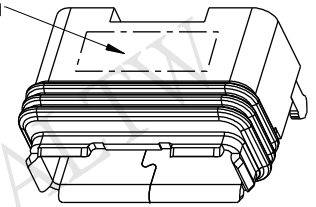
ITEM NO	DRAWN BY	DATE
DWG NO	CHECKED BY	DATE
CUSTOMER	APPROVED BY	DATE
ALTW	Jason Yu	2016/07/25
MUC-20PFFR-JSXX02	Arvin Chan	2016/07/25
ALTW	Kevin Hu	2016/07/25

THIS DOCUMENT IS SUBJECT TO CHANGE WITHOUT NOTICE. IT IS CONFIDENTIAL AND A PROPERTY OF AMPHENOL LTW. DISCLOSURE TO THIRD PARTY HAS TO BE AUTHORIZED BY AMPHENOL LTW.

Tape & Reel Information:

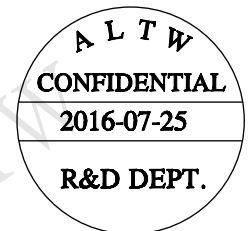
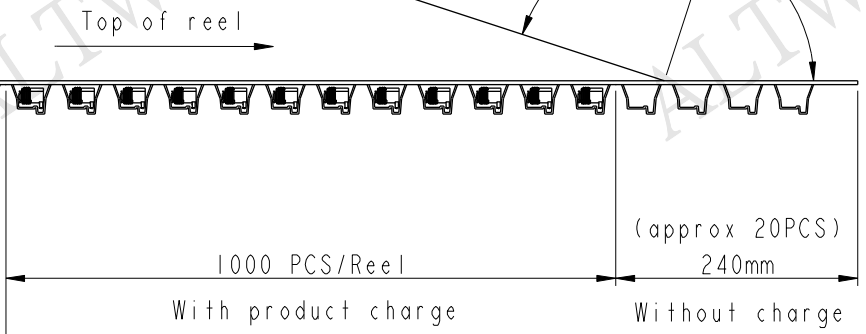
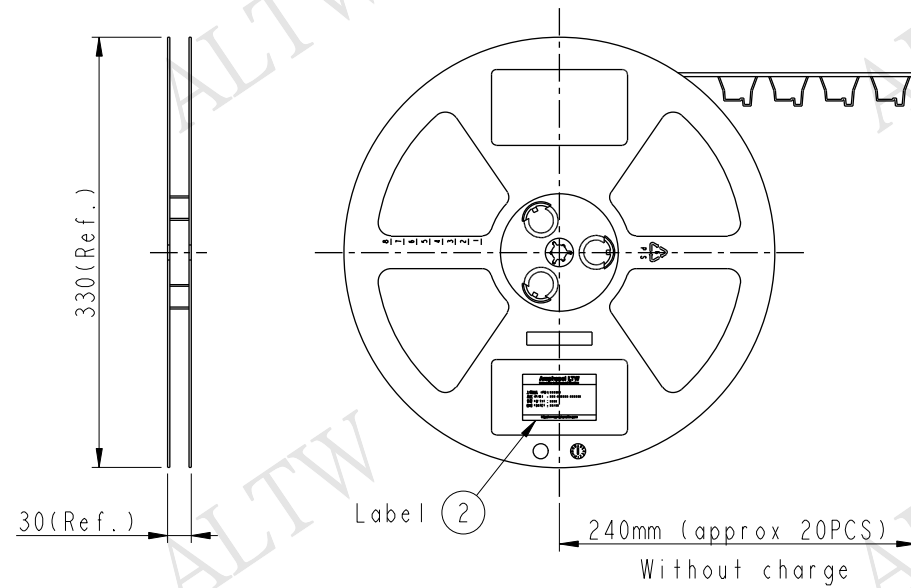


SMT Nozzle Area
(6.0x2.0mm)



Wide cover tape around
out periphery 1 turn

Peeling strenght 0.1~1.3N Max.
(300±10mm/min)
Peeling angle
165~180°



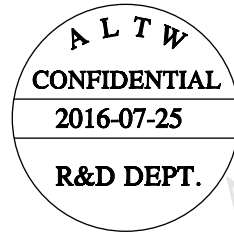
UNIT: mm		
TOLERANCE		
.X	±0.25	
.XX	±0.1	
.XXX	±0.05	
ANGLES	±1°	

TITLE WATERPROOF MICRO-AB USB PANEL 20MAB F CONN JACK LENGHT PIN			
SCALE Free	SIZE A4	SHEET 2 OF 4	
REV. A	WC-REV. A.6	QC: Inspection item	

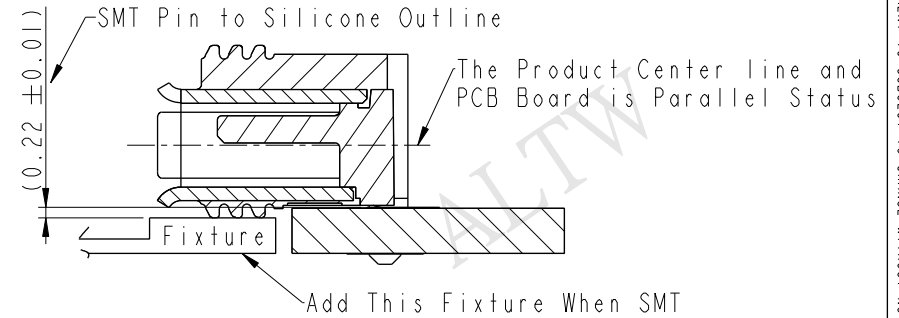
Amphenol LTW
安費諾亮泰企業股份有限公司

ITEM NO	DRAWN BY Jason Yu	DATE 2016/07/25
DWG NO MUC-20PFFR-JSXX02	CHECKED BY Arvin Chan	DATE 2016/07/25
CUSTOMER ALTW	APPROVED BY Kevin Hu	DATE 2016/07/25

For SMT Process Recommend:

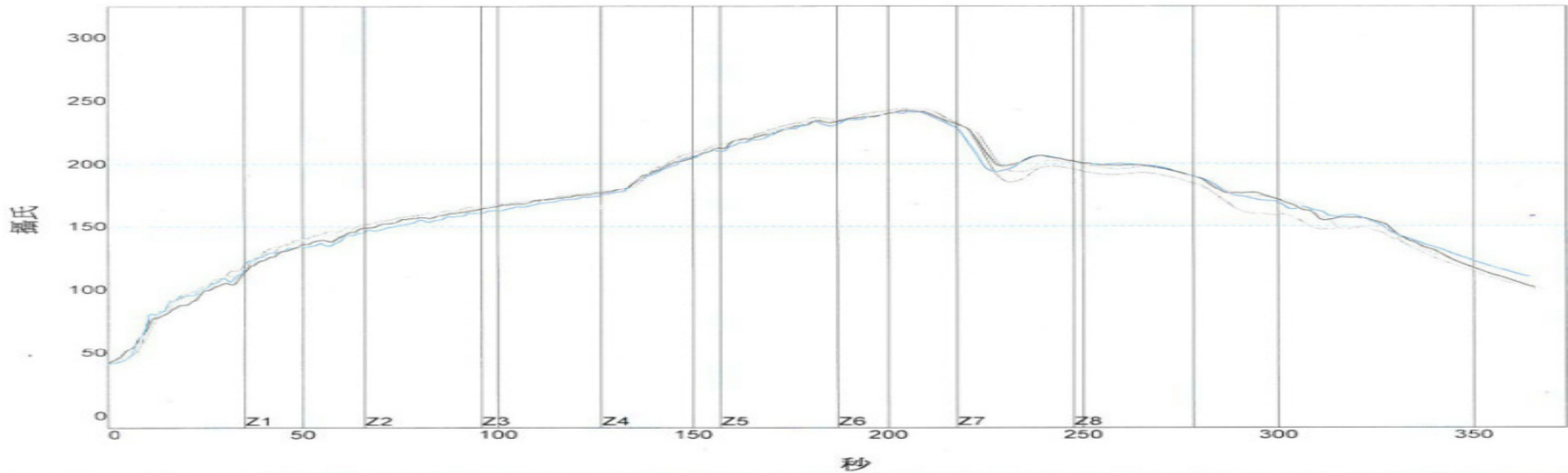


About Fixture:



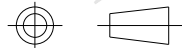
About IR Reflow Profile:

溫度設置 (攝氏)	1	2	3	4	5	6	7	8
溫區								
上溫區	160	180	180	180	190	245	265	260
下溫區	160	180	180	180	190	245	265	260
傳送帶速度 (米/分):	0.95							



PWI= 61%	最高上升斜率	最高下降斜率	恆溫時間150至200C	回流時間 /220C	最高溫度					
CON1	2.81	-6%	-2.33	33%	80.21	-33%	60.91	-30%	242.36	-18%
CON2	2.38	-21%	-2.14	43%	75.61	-48%	57.41	-42%	241.74	-22%
CON3	2.81	-6%	-2.84	8%	77.79	-41%	58.66	-38%	243.44	-10%
CON4	2.83	-6%	-2.34	33%	72.24	-59%	51.64	-61%	240.92	-27%
溫差	0.45		0.70		7.97		9.27		2.52	

UNIT: mm



TOLERANCE
 .X ±0.25
 .XX ±0.1
 .XXX ±0.05
 ANGLES ±1°

TITLE WATERPROOF MICRO-AB USB
 PANEL 20MAB F CONN JACK LENGTH PIN

SCALE Free SIZE A4 SHEET 3 OF 4
 REV. A WC-REV. A.1 (QC): Inspection item

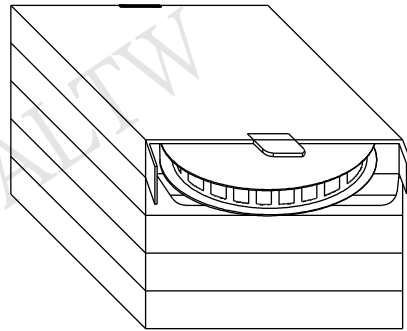
Amphenol LTW
 安費諾亮泰企業股份有限公司

ITEM NO	DRAWN BY	DATE
DWG NO	CHECKED BY	DATE
CUSTOMER	APPROVED BY	DATE
	Jason Yu	2016/07/25
MUC-20PFFR-JSXX02	Arvin Chan	2016/07/25
ALTW	Kevin Hu	2016/07/25

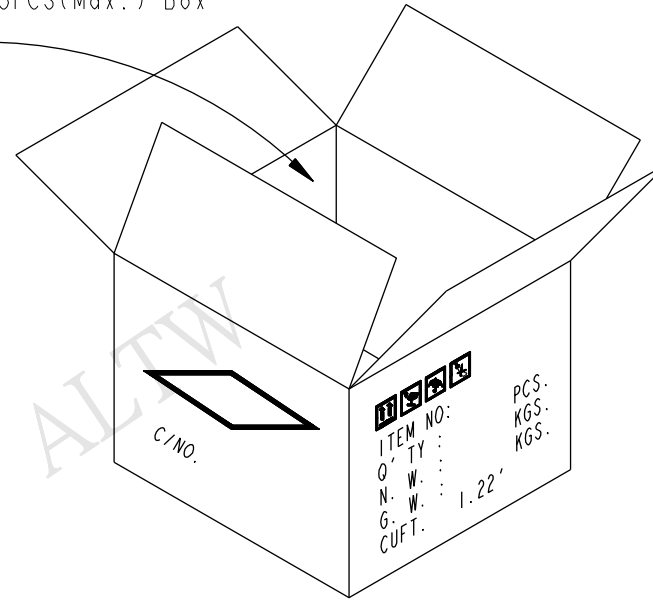
THIS DOCUMENT IS SUBJECT TO CHANGE WITHOUT NOTICE. IT IS CONFIDENTIAL AND A PROPERTY OF AMPHENOL LTW. DISCLOSURE TO THIRD PARTY HAS TO BE AUTHORIZED BY AMPHENOL LTW.

Package :

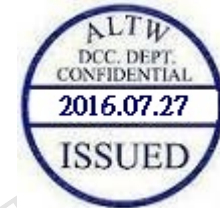
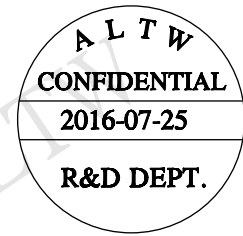
One Carton can put in the 5PCS(Max.) Box



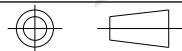
1000 PCS(Connector)/Tape&Reel, Put in a Box



(5,000 PCS/Carton)



UNIT:mm



TOLERANCE
 .X ±0.25
 .XX ±0.1
 .XXX ±0.05
 ANGLES ±1°

TITLE
 WATERPROOF MICRO-AB USB
 PANEL 20MAB F CONN JACK LENGHT PIN

SCALE Free SIZE A4 SHEET 4 OF 4
 REV. A WC-REV. A.1 (QC):Inspection item

Amphenol LTW
 安費諾亮泰企業股份有限公司

ITEM NO	DRAWN BY	DATE
	Jason Yu	2016/07/25
DWG NO	CHECKED BY	DATE
MUC-20PFFR-JSXX02	Arvin Chan	2016/07/25
CUSTOMER	APPROVED BY	DATE
ALTW	Kevin Hu	2016/07/25

THIS DOCUMENT IS SUBJECT TO CHANGE WITHOUT NOTICE. IT IS CONFIDENTIAL AND A PROPERTY OF Amphenol LTW. DISCLOSURE TO THIRD PARTY HAS TO BE AUTHORIZED BY Amphenol LTW.

Mouser Electronics

Authorized Distributor

Click to View Pricing, Inventory, Delivery & Lifecycle Information:

[Amphenol:](#)

[MUC-20PFFR-JS7002](#)