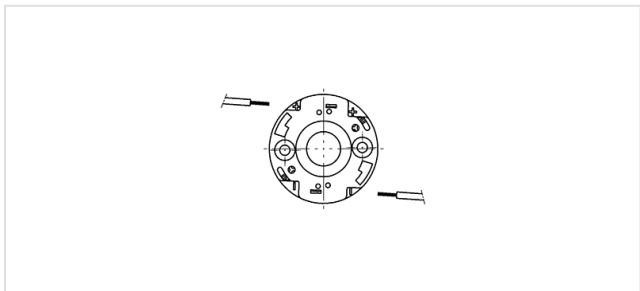
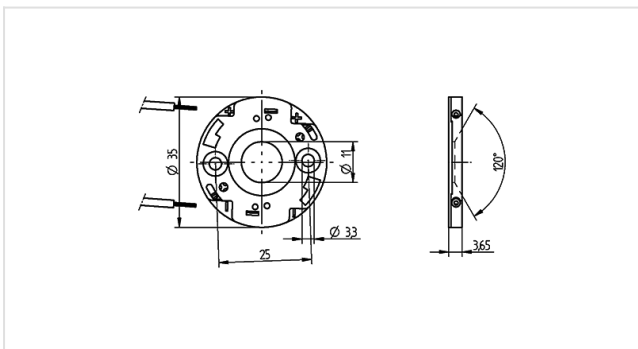




Technik für Licht
Komponenten · Optik · Automation

47.360.1030

Connectors for COBs
47.360 - Slim Spotlight Connectors and Accessories



Part no.:

47.360.1030.50



8.0 + 1 mm



0,5 mm²



LED-LINE



T 110



0,35-0,5 mm²

Description

- With integrated COB holder and interface for reflectors 47.935 and optics 35.201
- Easy pre-assembly of LED
- Screw mounting: for screws M3 and locking washer
- Max. torque for screw fixing 0.5 Nm*
- Strip length: 8+1 mm
- With wire release function
- Polarity symbols of connector and LED must be observed in assembly
- Specification of LED manufacturer must be observed
- In a series connection of LED modules, the air gap and creepage distances has to be sized that each module covers the total voltage of the series connection
- *Please note the max torque of the COB manufacturer

Symbol Abisolierlänge:	8.0 + 1 mm
Product name:	Spotlight connector Ø 35 mm for COB LEDs with LED array 15.85 x 15.85 mm
LED type:	CXA/CXB 15xx, H9
Mounting method 1:	Screw mount
Mounting method 2:	P2F-Befestigung mit 28.902.-102
Material:	Housing: PBT Contacts: CuSn
Weight:	2.9
Rating:	3A / 150 VDC
Pkg.:	441

Mouser Electronics

Authorized Distributor

Click to View Pricing, Inventory, Delivery & Lifecycle Information:

[BJB Electric:](#)

[47.360.1030.50](#)