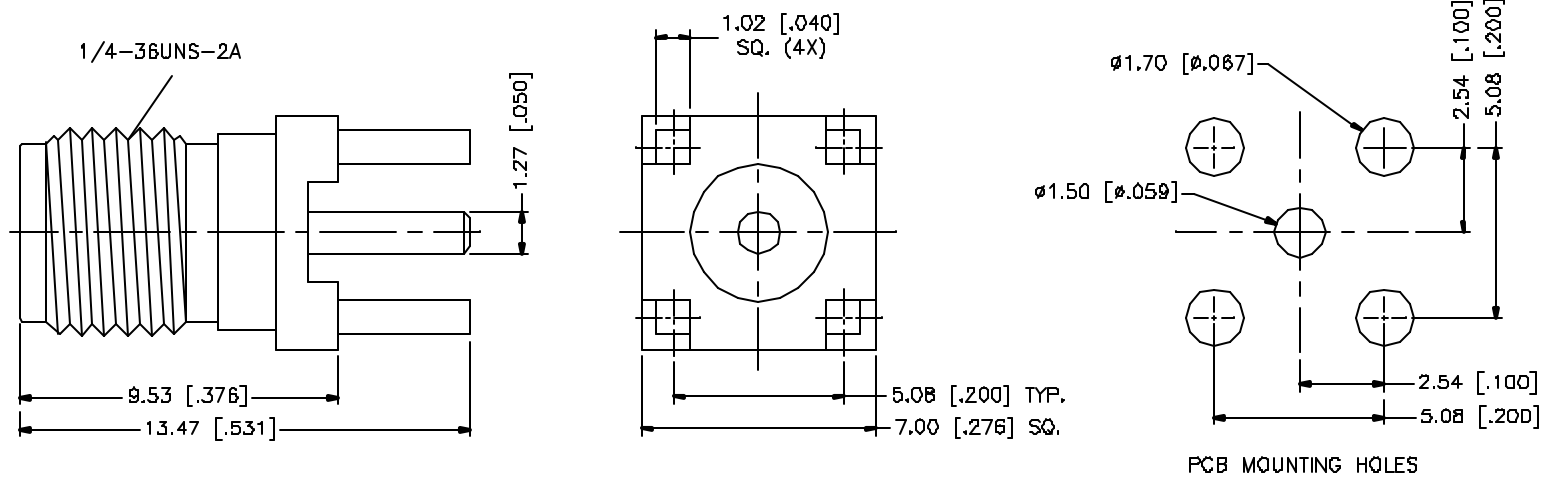


REV.	DATE	DESCRIPTION
A	04/31/03	UPDATE DRAWING FORMAT
B	11/29/04	MODIFY FLANGE TO 7.0mm SQUARE



REV.	DESCRIPTION	MATERIAL	FINISH	QTY	UNLESS OTHERWISE SPECIFIED DIMENSIONS ARE IN MILLIMETERS DIMENSIONS IN [] ARE IN INCHES AND FOR CUSTOMER REFERENCE ONLY.	APPROVALS	DATE	Amphenol Connex			
B								SMA P.C.B JACK (EXTENDED LEGS)			
7											
6								PART NO. 132134			
5	RING	BRASS	GOLD	1	UNLESS OTHERWISE SPECIFIED TOLERANCES FOR MILLIMETERS ARE: 0.5 - 8mm ± 0.20mm 8 - 30mm ± 0.40mm 30 - 120mm ± 0.50mm	DRAWN G.R.S.	11/29/04	DWC. NO. 132134.DWG			
4	INSULATOR	TEFLON	NATURAL	1	UNLESS OTHERWISE SPECIFIED TOLERANCES FOR INCHES ARE: .020 - .315 = ± 0.007" .315 - 1.180 = ± 0.015" 1.180 - 4.724 = ± 0.020"	CHECKED		REV. B			
3	CONTACT PIN	BER. COPPER	GOLD	1		ISSUED		SIZE A			
2	INSULATOR	TEFLON	NATURAL	1		SHEET 1 OF 1		SCALE NA			
1	BODY	BRASS	GOLD	1							
	DESCRIPTION	MATERIAL	FINISH	QTY	DO NOT SCALE DRAWING	CAD FILE	Q:/132/13134.DWG				

Mouser Electronics

Authorized Distributor

Click to View Pricing, Inventory, Delivery & Lifecycle Information:

[Amphenol:](#)

[132134](#)