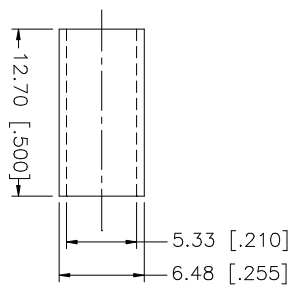
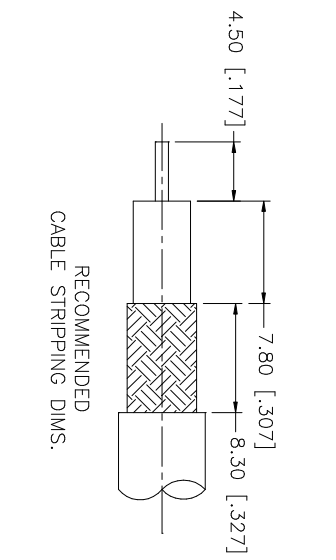
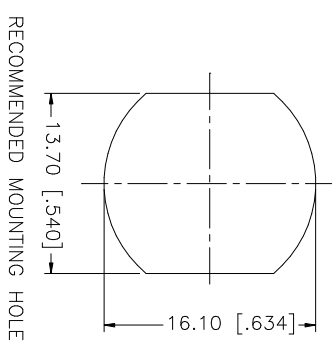
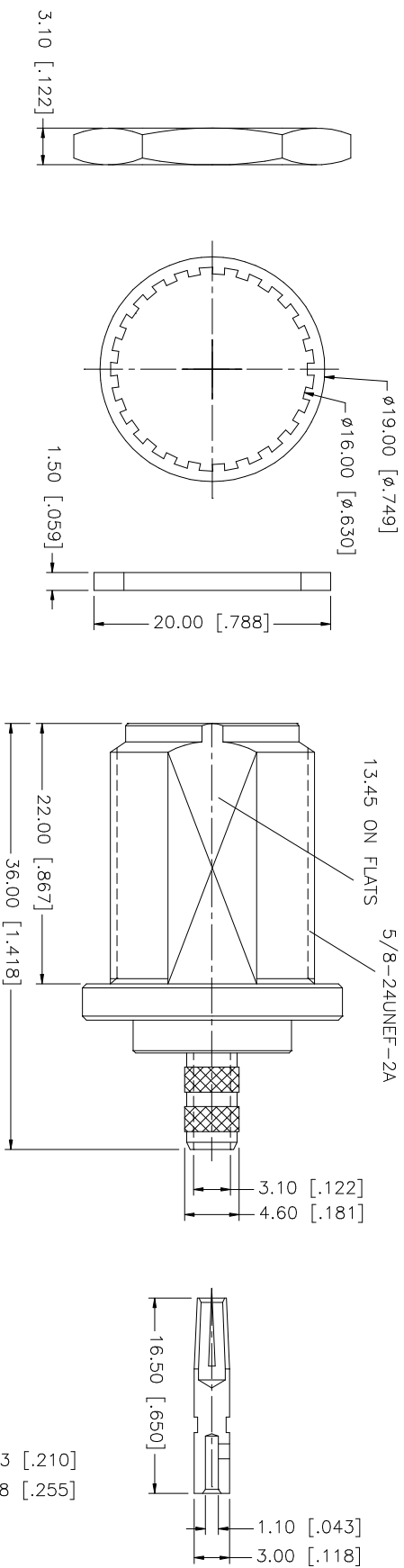


REV.	DATE	DESCRIPTION
A	11/13/03	UPDATE DRAWING FORMAT
B	01/24/05	UPDATE PART DESCRIPTION
C	07/07/05	MODIFY CABLE DESCRIPTION RG-58



NOTE:
 1. CRIMPED FERRULE
 HEX CRIMP SIZE .213"
 2. CRIMPED CONTACT PIN
 HEX CRIMP SIZE .100"

QTY	FINISH	MATERIAL	DESCRIPTION
1	NEXCOTE	COPPER	FERRULE
1	RED	SILICONE	GASKET
1	NEXCOTE	BRASS	HEX NUT
1	NEXCOTE	BRASS	LOCK WASHER
1	GOLD	PHOS. BRONZE	CONTACT PIN
1	NATURAL	TEFLON	INSULATOR
1	NEXCOTE	BRASS	BODY
			DESCRIPTION

APPROVALS	DATE
DRAWN G.R.S.	07/07/05
CHECKED	
ISSUED	
SHEET 1 OF 1	

PART DESCRIPTION	PART NO.
N BULKHEAD CRIMP JACK (FOR RG-58 CABLE)	1721106

DO NOT SCALE DRAWING	CAD FILE	DWG. NO.	REV.	SIZE	SCALE
	C:/172/172106.DWG	172106.DWG	C	A	NA

Amphenol **Comnex**

UNLESS OTHERWISE SPECIFIED DIMENSIONS ARE IN MILLIMETERS DIMENSIONS IN [] ARE IN INCHES AND FOR CUSTOMER REFERENCE ONLY. TOLERANCES FOR MILLIMETERS ARE:
 0.5 - 8mm ± 0.20mm
 8 - 30mm ± 0.40mm
 30 - 120mm ± 0.50mm
 UNLESS OTHERWISE SPECIFIED TOLERANCES FOR INCHES ARE:
 .020 - .315 = ± 0.007"
 .315 - 1.180 = ± 0.015"
 1.180 - 4.724 = ± 0.020"

Mouser Electronics

Authorized Distributor

Click to View Pricing, Inventory, Delivery & Lifecycle Information:

[Amphenol:](#)

[172106](#)