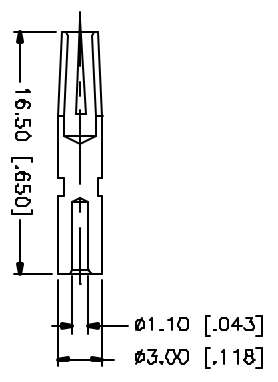
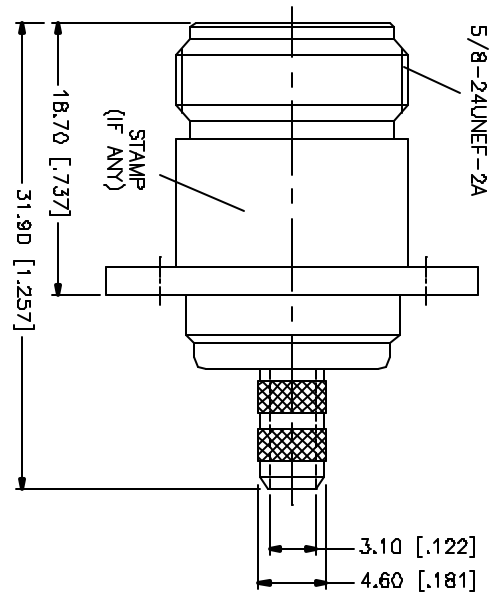
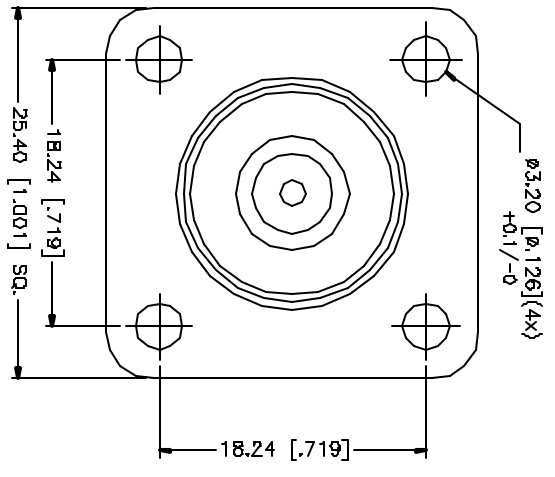
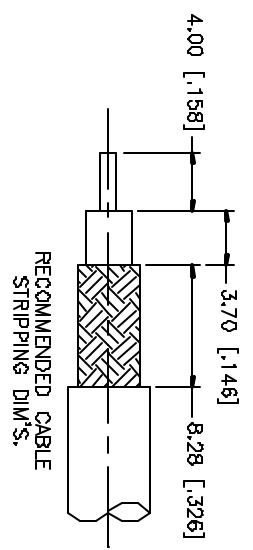
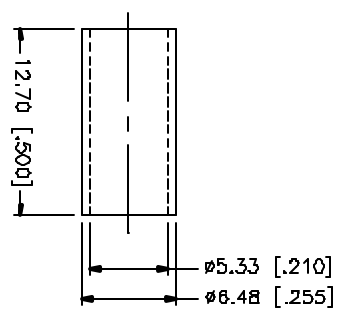


REV.	DATE	DESCRIPTION
A	11/21/03	UPDATE DRAWING FORMAT



- NOTES:
1. CRIMPED FERRULE
HEX. CRIMP SIZE .213"
 2. CRIMPED CONTACT PIN
HEX. CRIMP SIZE .100"



TYPICAL DIMENSIONS SPECIFIED THROUGHOUT ARE IN MILLIMETERS UNLESS NOTED OTHERWISE IN () ARE IN INCHES AND FOR CONTACT TERMINALS ONLY.		APPROVALS		DATE		PART DESCRIPTION						
B		DRAWN	G.R.S.	11/21/03	<h1 style="text-align: center;">Amphenol Connex</h1> <p style="text-align: center;">N PANEL CRIMP JACK RG58/U CABLE</p> <p style="text-align: center;">1722208</p>							
7		CHECKED										
6		DESIGNED										
5		SHEET	1 OF 1									
4		PART NO.										
3	FERRULE	COPPER		NEXCOATE	DWG. NO.	1722208.DWG	REV.	A	SIZE	A	SCALE	NA
2	INSULATOR	TEFLON		NATURAL								
1	BODY W/PANEL	BRASS		NEXCOATE								
DESCRIPTION		MATERIAL		FINISH		QTY						

USING STANDARD CRIMPING DIE
TOLERANCES FOR MILLIMETER ARE:
0.5 - 4mm ± 0.20mm
5 - 30mm ± 0.40mm
30 - 120mm ± 0.50mm

USING STANDARD CRIMPING DIE
TOLERANCES FOR INCHES ARE:
.020 - .315 ± ± 0.010"
.315 - 1.180 ± ± 0.015"
1.180 - 4.724 ± ± 0.020"

DO NOT SCALE DRAWING

Mouser Electronics

Authorized Distributor

Click to View Pricing, Inventory, Delivery & Lifecycle Information:

[Amphenol:](#)

[172208](#)