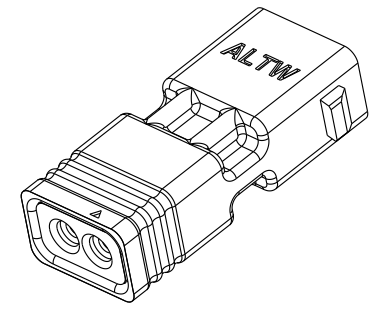
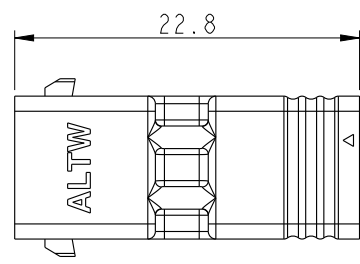
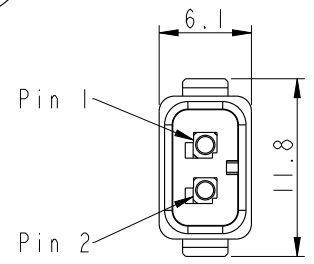


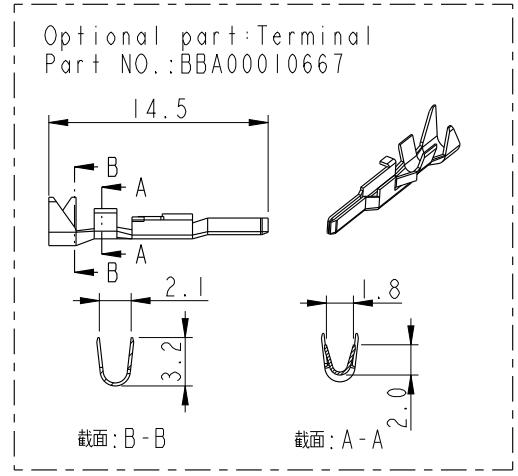
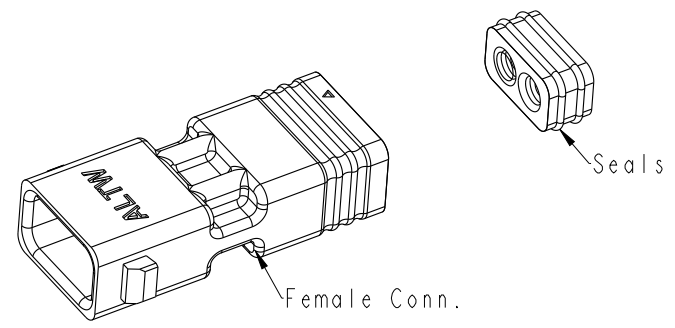
THIS DOCUMENT IS SUBJECT TO CHANGE WITHOUT NOTICE. IT IS CONFIDENTIAL AND A PROPERTY OF AMPHENOL LTW. DISCLOSURE TO THIRD PARTY HAS TO BE AUTHORIZED BY AMPHENOL LTW.

REV.	ECN NO.	DATE	SIGN	DESCRIPTION
A	Initial Release	2014/07/31	Cary	Change To Rev.A
B	LE314A0241	2014/10/16	Cary	Commissioned to supplier production

ALTW
CONFIDENTIAL
 2014-10-16
R&D DEPT.



ALTW
 DCC. DEPT.
 CONFIDENTIAL
 2014.10.23
ISSUED



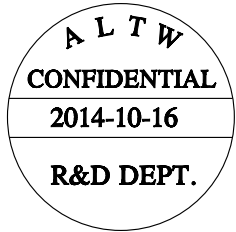
- Notes:
- * \varnothing Important Dimension To Check.
 - * Waterproof Rate: IP68(mating).
 1M Depth Of Water In 24 Hours.
 - * Housing: Thermoplastic, UL94V-0, Natural White.
 - * Gasket: Silicone, Gray.
 - * Seals: Silicone, Gray.
 - * Current Rating: 5A maximum.
 - * 適用電子線20AWG~22AWG
 - * Voltage Rating: 250V DC/AV maximum.
 - * Operating Temperature: -40~+105℃

UNIT: mm			TITLE SSL1.2 2P F CONN. ASS'Y
TOLERANCE ±0.5mm	SCALE 2:1	SIZE A4	SHEET 1 OF 2
REV. B	WC-REV. A.4	\varnothing : Inspection item	

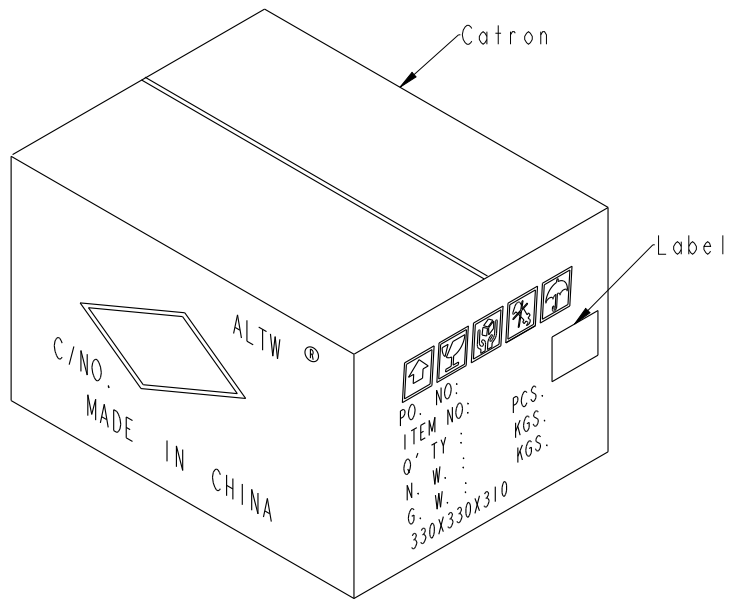
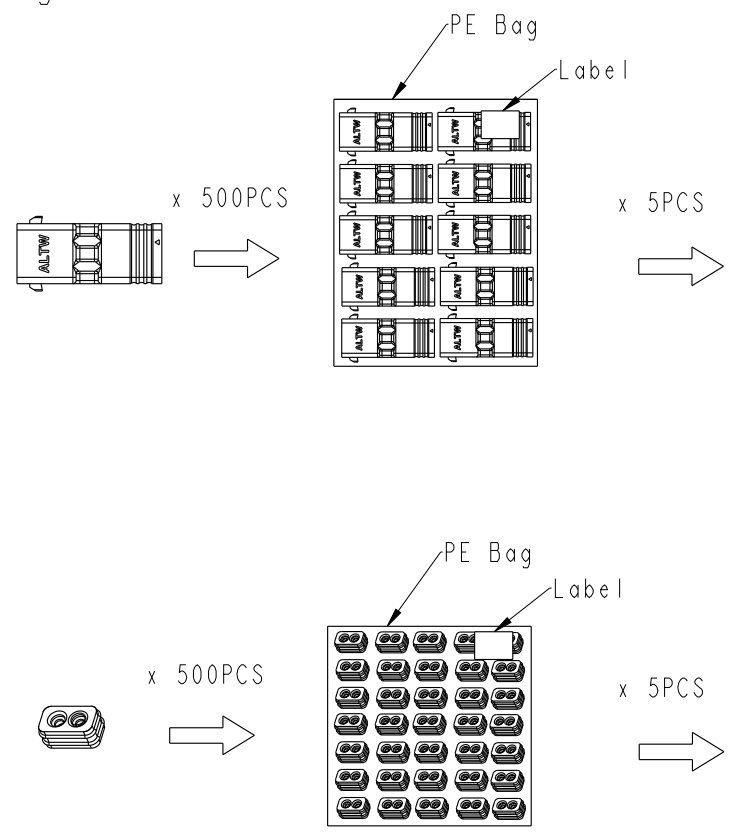
Amphenol LTW
 安費諾亮泰企業股份有限公司

ITEM NO. SSL12-J2FJ0-000001	DRAWN BY Cary_liu	DATE 2014-10-16
DWG NO. SSL12-J2FJ0-000001	CHECKED BY Fisher	DATE 2014-10-16
CUSTOMER ALTW	APPROVED BY Jerry	DATE 2014-10-16

THIS DOCUMENT IS SUBJECT TO CHANGE WITHOUT NOTICE. IT IS CONFIDENTIAL AND A PROPERTY OF Amphenol LTW. DISCLOSURE TO THIRD PARTY HAS TO BE AUTHORIZED BY Amphenol LTW.



Packing



- QUANTITY
1. 2500Set Per Carton
 2. Net Weight: 2.3Kg/Carton.
 3. Gross Weight: 3.0Kg/Carton.

UNIT:mm TOLERANCE ±0.5mm

TITLE SSL1.2 2P F CONN. ASS'Y			
SCALE 2:1	SIZE A4	SHEET 2 OF 2	
REV. B	WC-REV. A.4	QC: Inspection item	

Amphenol LTW
安費諾亮泰企業股份有限公司

ITEM NO SSL12-J2FJ0-000001	DRAWN BY Cary_liu	DATE 2014-10-16
DWG NO SSL12-J2FJ0-000001	CHECKED BY Fisher	DATE 2014-10-16
CUSTOMER ALTW	APPROVED BY Jerry	DATE 2014-10-16