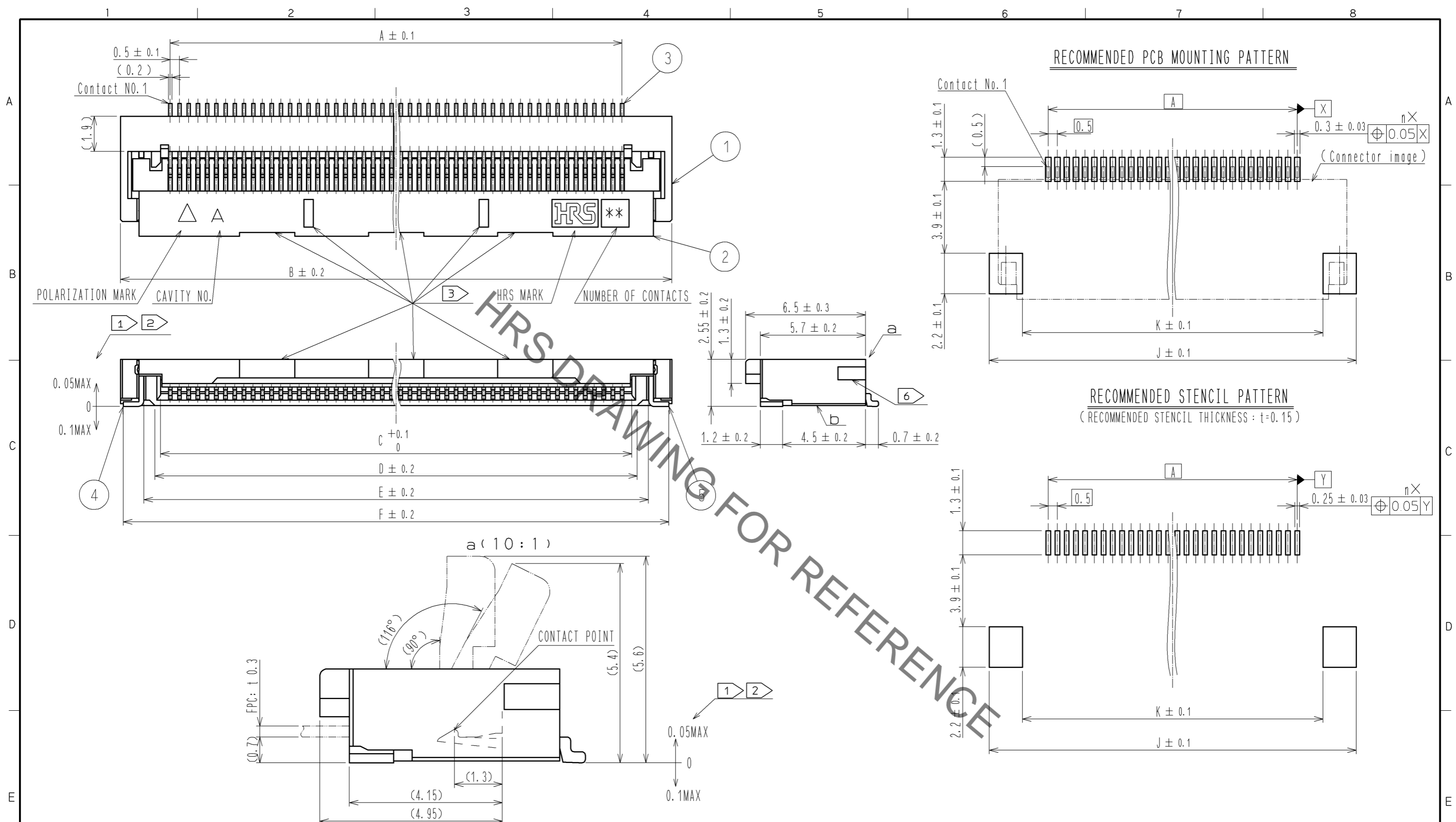


Dec.1.2021 Copyright 2021 HIROSE ELECTRIC CO., LTD. All Rights Reserved.
In case of consideration for using Automotive equipment / device which demand high reliability, kindly contact our sales window correspondents.

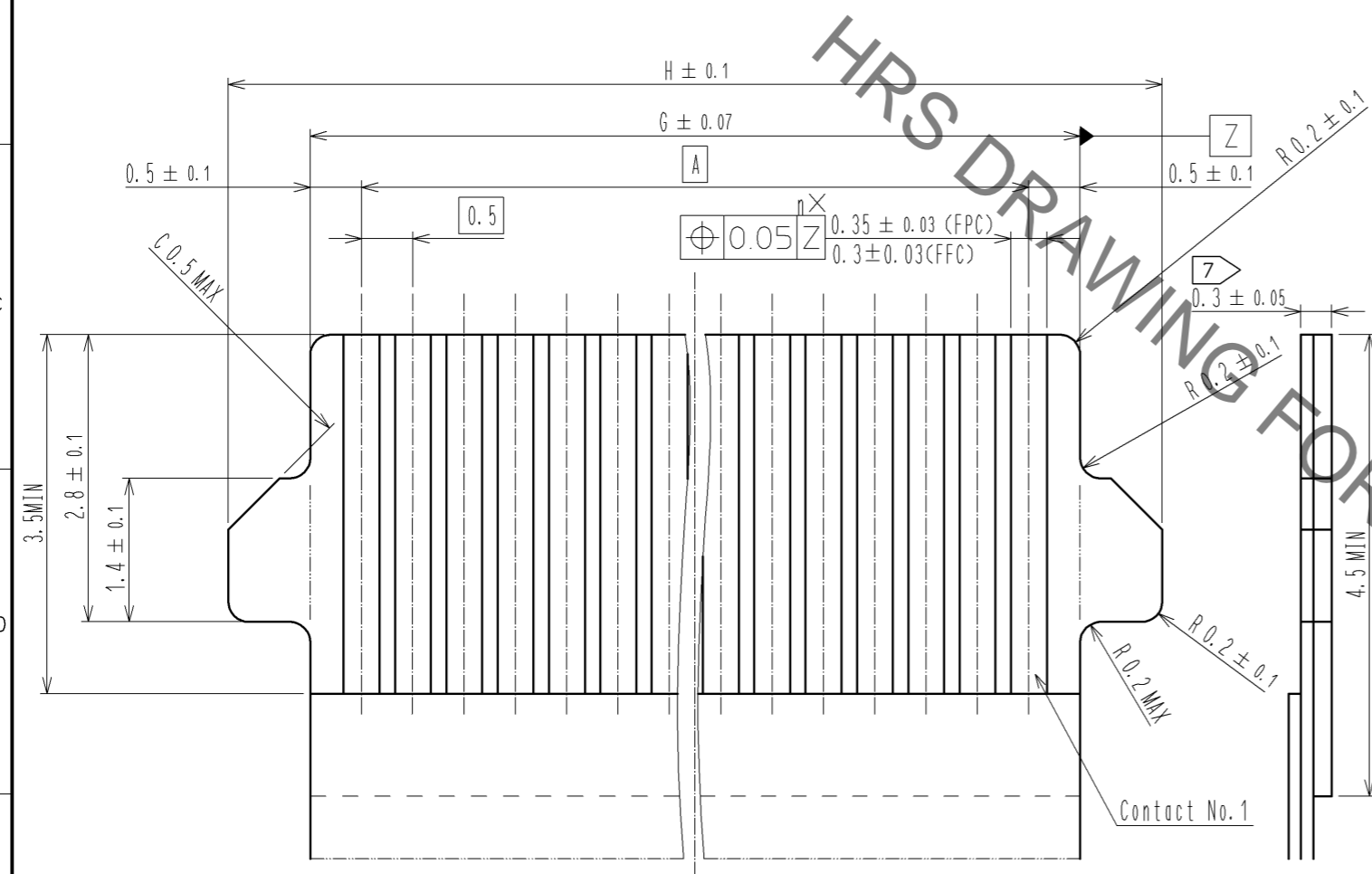


- NOTES
- 1 Lead CO-PLANARITY including reinforced metal fittings shall be 0.1 MAX.
 - 2 Dimension: from reference b.
 - 3 Indicates notches or holes to prevent sink marks. The design and the location are discretionary, depending on the number of contacts.
 - 4 This product satisfies halogen free requirements defined as 900ppm maximum chlorine, 900ppm maximum bromine, and 1500ppm maximum total of chlorine and bromine.
 - 5 'n' represents the number of contacts.
 - 6 Indicates notches for attachment dust cover.
FH28 series : without notches.
FH28D series : with notches.
There is no difference in performance between FH28 series and FH28D series.

| | | | | | | | | |
|----------------------------------|-----------------|---|----------------|-------------|--------------------------|--------------------|---------|------|
| 5 | BRASS | TIN PLATING 1#MMIN OVER NICKEL 1#MMIN | | | | | | |
| 4 | BRASS | TIN PLATING 1#MMIN OVER NICKEL 1#MMIN | 9 | (CONNECTOR) | | | | |
| 3 | PHOSPHOR BRONZE | GOLD PLATING 0.05#MMIN OVER NICKEL 1#MMIN | 8 | POLYSTYRENE | | | | |
| 2 | LCP | (BLACK) | UL94V-0 | 7 | POLYESTER | | | |
| 1 | LCP | (GRAY) | UL94V-0 | 6 | POLYSTYRENE | | | |
| NO. | MATERIAL | FINISH . | REMARKS | NO. | MATERIAL | FINISH . | REMARKS | |
| UNITS | mm | SCALE | 5 : 1 | COUNT | DESCRIPTION OF REVISIONS | DESIGNED | CHECKED | DATE |
| HIROSE ELECTRIC CO., LTD. | | APPROVED | : HS. SAKAMOTO | 13. 09. 20 | DRAWING NO. | EDC3-353836-01 | | |
| | | CHECKED | : HS. SAKAMOTO | 13. 09. 20 | PART NO. | FH28-*S-0.5SH(05) | | |
| | | DESIGNED | : RT. IKEDA | 13. 09. 19 | CODE NO. | FH28D-*S-0.5SH(05) | | |
| | | DRAWN | : RT. IKEDA | 13. 09. 19 | | CL586 | | |
| | | | | | | | | 1/4 |

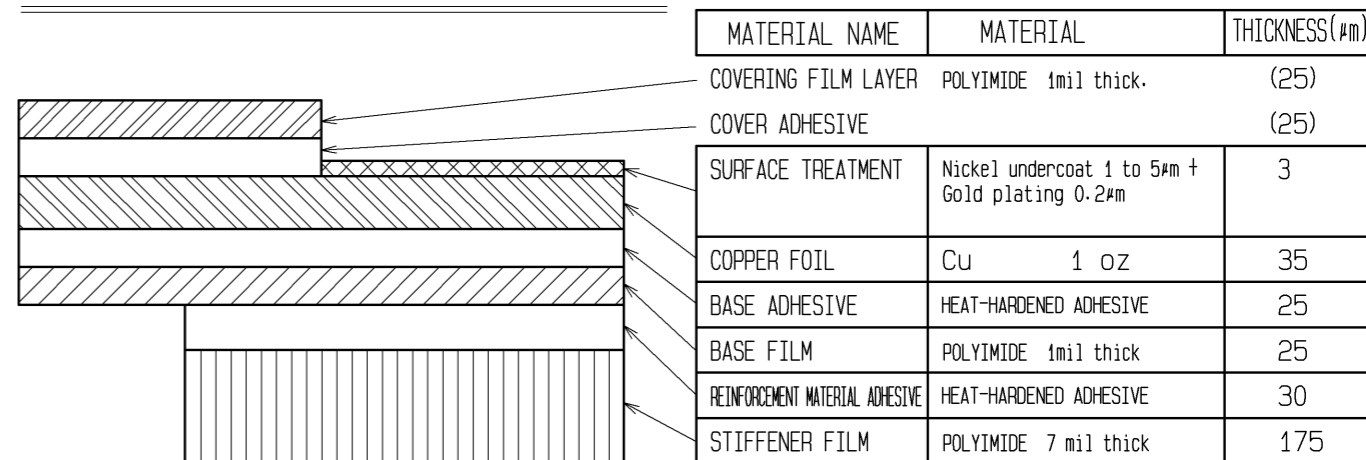
Dec.1.2021 Copyright 2021 HIROSE ELECTRIC CO., LTD. All Rights Reserved.
In case of consideration for using Automotive equipment / device which demand high reliability, kindly contact our sales window correspondents.

RECOMMENDED FPC/FFC (15:1)

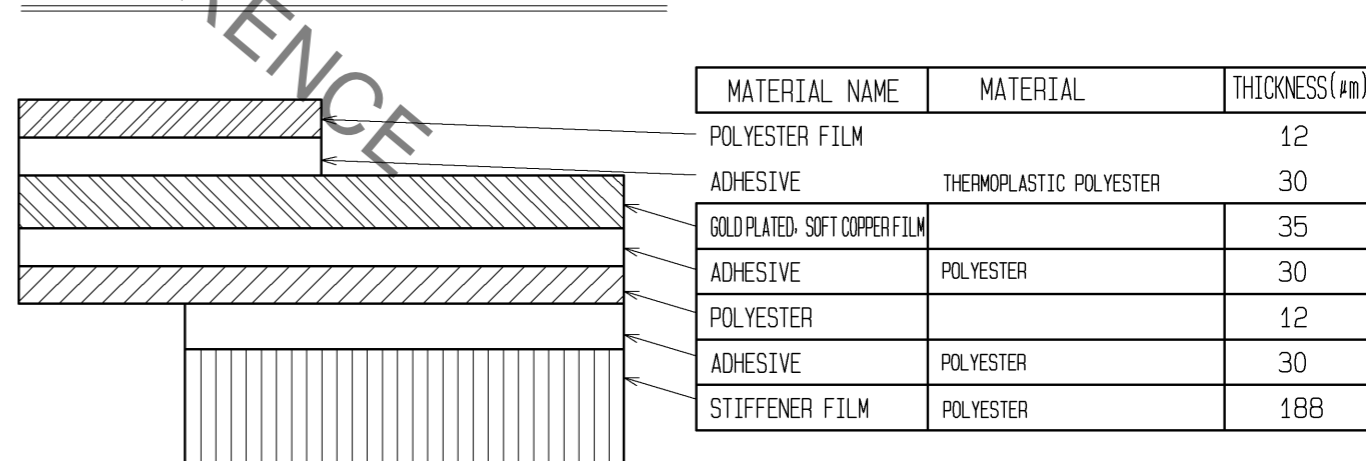


7 Thickness of supporting tape shall be 0.188(7.5mil) MIN.

FPC CONFIGURATION (REFERENCE EXAMPLE) (SCALE:FREE)

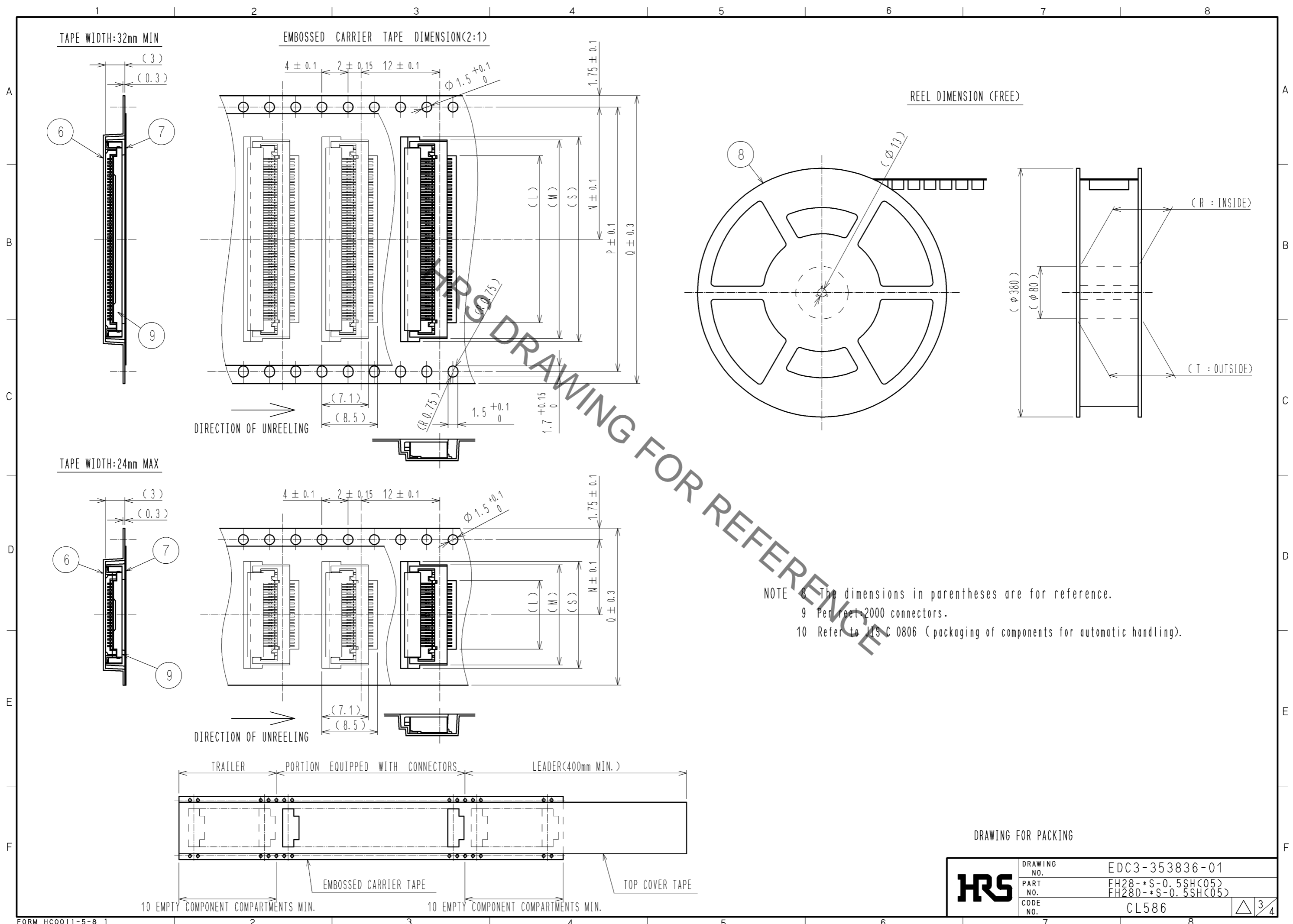


FFC CONFIGURATION (REFERENCE EXAMPLE) (SCALE:FREE)



| | | |
|------------|-------------|---|
| HRS | DRAWING NO. | EDC3-353836-01 |
| | PART NO. | FH28-*S-0.5SH(05) FH28D-*S-0.5SH(05) |
| | CODE NO. | CL586 |
| | | 2/4 |

Dec.1.2021 Copyright 2021 HIROSE ELECTRIC CO., LTD. All Rights Reserved.
 In case of consideration for using Automotive equipment / device which demand high reliability, kindly contact our sales window correspondents.



NOTE 8 The dimensions in parentheses are for reference.
 9 Per reel 2000 connectors.
 10 Refer to JIS C 0806 (packaging of components for automatic handling).

DRAWING FOR PACKING

| | | |
|------------|-------------|---|
| HRS | DRAWING NO. | EDC3-353836-01 |
| | PART NO. | FH28-*S-0.5SH(05) FH28D-*S-0.5SH(05) |
| | CODE NO. | CL586 |
| | | 3/4 |

Dec.1.2021 Copyright 2021 HIROSE ELECTRIC CO., LTD. All Rights Reserved.
In case of consideration for using Automotive equipment / device which demand high reliability, kindly contact our sales window correspondents.

| PART NO. | CODE NO. | Number of contact | DIMENSION TABLE OF CONNECTOR, FPC, FFC, LAND PATTERN AND STENCIL PATTERN | | | | | | | | | | DIMENSION TABLE OF DRAWING FOR PACKING | | | | | | | |
|-----------------------------------|-----------------|-------------------|--|------|-------|-------|-------|-------|------|------|------|------|--|------|------|------|----|------|------|------|
| | | | A | B | C | D | E | F | G | H | J | K | L | M | N | P | Q | R | T | S |
| FH28 -10S-0.5SH(05) | CL586-1861-4-05 | 10 | 4.5 | 8.8 | 5.57 | 6.15 | 7.35 | 9.58 | 5.5 | 7.1 | 10.6 | 7 | 5.5 | 10.3 | 11.5 | - | 24 | 25.4 | 29.4 | 11.3 |
| FH28 -15S-0.5SH(05) | CL586-1868-3-05 | 15 | 7 | 12.4 | 8.07 | 8.65 | 9.85 | 12.08 | 8 | 9.6 | 13.1 | 9.5 | 8 | 12.8 | 11.5 | - | 24 | 25.4 | 29.4 | 13.8 |
| FH28D-20S-0.5SH(05) | CL586-1823-5-05 | 20 | 9.5 | 14.9 | 10.57 | 11.15 | 12.35 | 14.58 | 10.5 | 12.1 | 15.6 | 12 | 10.5 | 15.3 | 11.5 | - | 24 | 25.4 | 29.4 | 16.3 |
| FH28D-28S-0.5SH(05) | CL586-1835-4-05 | 28 | 13.5 | 18.9 | 14.57 | 15.15 | 16.35 | 18.58 | 14.5 | 16.1 | 19.6 | 16 | 14.5 | 19.3 | 14.2 | 28.4 | 32 | 33.4 | 37.4 | 20.3 |
| FH28D-30S-0.5SH(05) | CL586-1827-6-05 | 30 | 14.5 | 19.9 | 15.57 | 16.15 | 17.35 | 19.58 | 15.5 | 17.1 | 20.6 | 17 | 15.5 | 20.3 | 14.2 | 28.4 | 32 | 33.4 | 37.4 | 21.3 |
| ¹¹ FH28 -40S-0.5SH(07) | CL586-1803-8-07 | 40 | 19.5 | 24.9 | 20.57 | 21.15 | 22.35 | 24.58 | 20.5 | 22.1 | 25.6 | 22 | 20.5 | 25.3 | 20.2 | 40.4 | 44 | 45.4 | 49.4 | - |
| FH28 -45S-0.5SH(05) | CL586-1848-6-05 | 45 | 22 | 27.4 | 23.07 | 23.65 | 24.85 | 27.08 | 23 | 24.6 | 28.1 | 24.5 | 23 | 27.8 | 20.2 | 40.4 | 44 | 45.4 | 49.4 | 28.8 |
| FH28 -50S-0.5SH(05) | CL586-1801-2-05 | 50 | 24.5 | 29.9 | 25.57 | 26.15 | 27.35 | 29.58 | 25.5 | 27.1 | 30.6 | 27 | 25.5 | 30.3 | 20.2 | 40.4 | 44 | 45.4 | 49.4 | - |
| FH28 -55S-0.5SH(05) | CL586-1800-0-05 | 55 | 27 | 32.4 | 28.07 | 28.65 | 29.85 | 32.08 | 28 | 29.6 | 33.1 | 29.5 | 28 | 32.8 | 20.2 | 40.4 | 44 | 45.4 | 49.4 | - |
| FH28 -60S-0.5SH(05) | CL586-1811-6-05 | 60 | 29.5 | 34.9 | 30.57 | 31.15 | 32.35 | 34.58 | 30.5 | 32.1 | 35.6 | 32 | 30.5 | 35.3 | 26.2 | 52.4 | 56 | 57.4 | 61.4 | - |
| FH28D-64S-0.5SH(05) | CL586-1813-1-05 | 64 | 31.5 | 36.9 | 32.57 | 33.15 | 34.35 | 36.58 | 32.5 | 34.1 | 37.6 | 34 | 32.5 | 37.3 | 26.2 | 52.4 | 56 | 57.4 | 61.4 | - |
| FH28D-68S-0.5SH(05) | CL586-1819-8-05 | 68 | 33.5 | 38.9 | 34.57 | 35.15 | 36.35 | 38.58 | 34.5 | 36.1 | 39.6 | 36 | 34.5 | 39.3 | 26.2 | 52.4 | 56 | 57.4 | 61.4 | - |
| FH28D-74S-0.5SH(05) | CL586-1828-9-05 | 74 | 36.5 | 41.9 | 37.57 | 38.15 | 39.35 | 41.58 | 37.5 | 39.1 | 42.6 | 39 | 37.5 | 42.3 | 26.2 | 52.4 | 56 | 57.4 | 61.4 | 43.3 |

¹¹ : The specification of (07) is applied to FH28-40S-0.5SH.

| | | |
|------------|-------------|---|
| HRS | DRAWING NO. | EDC3-353836-01 |
| | PART NO. | FH28-*S-0.5SH(05) FH28D-*S-0.5SH(05) |
| | CODE NO. | CL586 |
| | △ 4/4 | |

Mouser Electronics

Authorized Distributor

Click to View Pricing, Inventory, Delivery & Lifecycle Information:

[Hirose Electric:](#)

[FH28D-20S-0.5SH\(05\)](#)