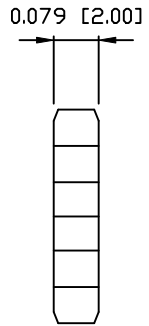
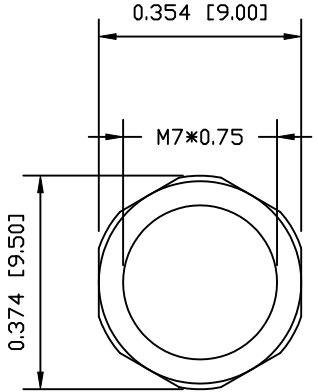
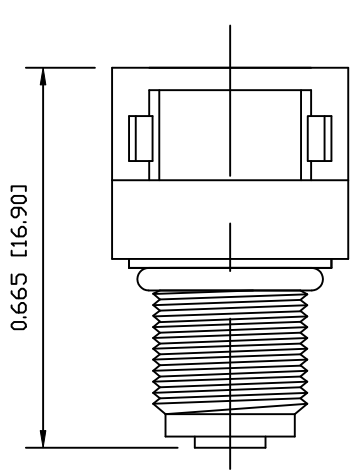
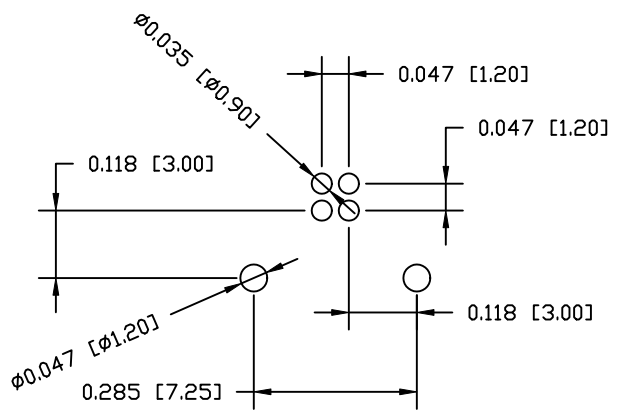


DESCRIPTION: M5 FEMALE - RIGHT ANGLE - PANEL MOUNT - 2 POSITION

UNITS = INCHES [MM]

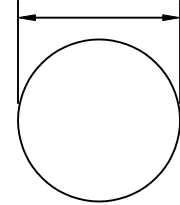


NUT



P.C.B LAYOUT

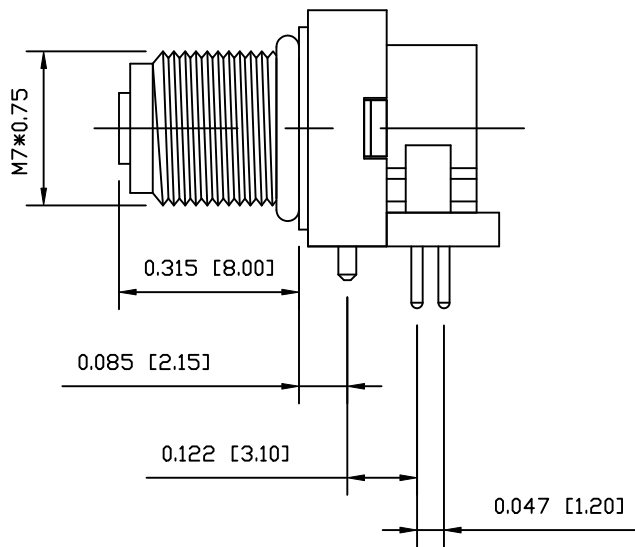
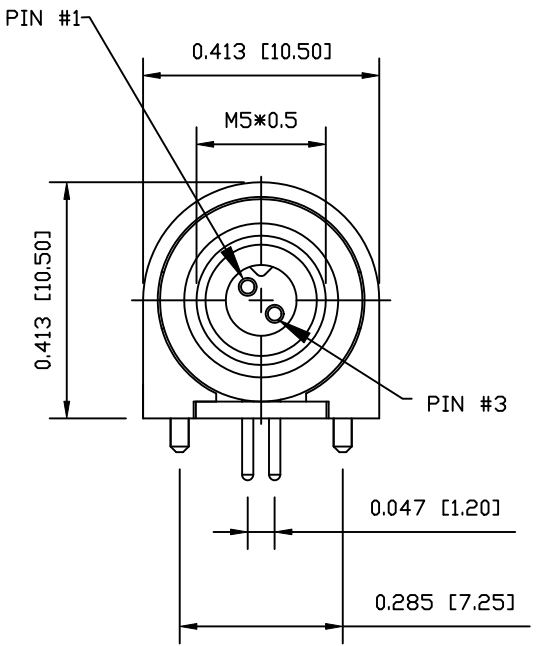
0.284 [7.20]
+0.004, -0.00
[+0.10, -0.00]



PANEL CUT-OUT

853-002-213R00Y

1 = GOLD FLASH
4 = 10 μ " GOLD



NOTE:

MATERIAL

HOUSING: PBT UL94V-0, BLACK
CONTACT: BRASS
NUT: BRASS
O-RING: NBR, BLACK
BACK HOUSING: PBT UL94V-0, BLACK
DOWN HOUSING: PBT UL94V-0, BLACK

FINISH

CONTACT: GOLD PLATED
OVER 50 μ " NICKEL
NUT: NICKEL PLATED

ELECTRICAL

RATED CURRENT: 1A
RATED VOLTAGE: 60V
INSULATION RESISTANCE: 100 M Ω hms MIN.
CONTACT RESISTANCE: 10 M Ω hms MAX.
WATER PROOF: IP67

ENVIRONMENT

OPERATION TEMPERATURE: -40°C TO +85°C

DO NOT SCALE FROM DRAWING

RoHS COMPLIANT



THESE DRAWINGS AND SPECIFICATIONS ARE THE PROPERTY OF NorComp AND SHALL NOT BE REPRODUCED, COPIED OR USED AS THE BASIS FOR THE MANUFACTURE OR SALE OF APPARATUS WITHOUT WRITTEN PERMISSION.

DRAWN: M. SIGMON
CHECKED:

DATE: 03-03-16
DATE:

NorComp

SCALE: NTS	SHEET 1 OF 1	REV 1
DWG NO. 853-002-213R00Y		

Mouser Electronics

Authorized Distributor

Click to View Pricing, Inventory, Delivery & Lifecycle Information:

[NorComp:](#)

[853-003-213R001](#) [853-002-213R001](#) [853-002-213R004](#) [853-003-213R004](#)