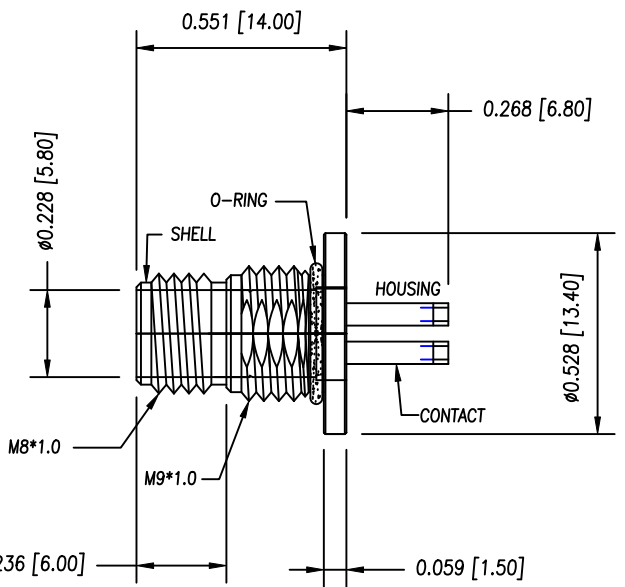
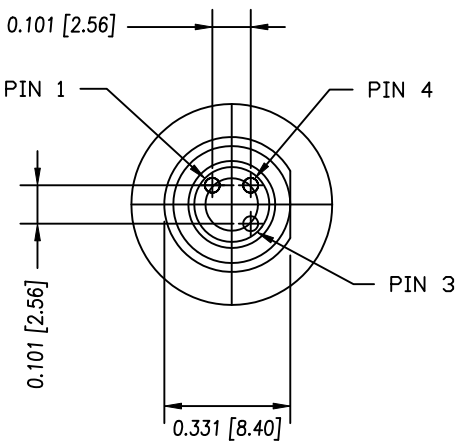
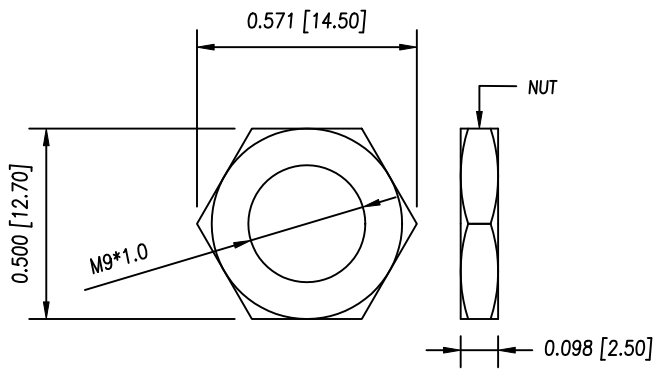
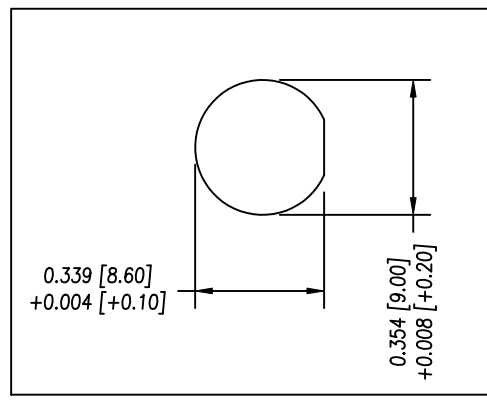


DESCRIPTION: M8 MALE - PANEL MOUNT - 3 POS.



NOTE:

MATERIAL	
HOUSING:	PBT UL94V-0, BLACK
CONTACT:	BRASS
SHELL:	BRASS
WASHER:	BRASS
NUT:	BRASS
O-RING:	EPDM, BLACK
FINISH	
CONTACT:	GOLD PLATED OVER 50 μm NICKEL
SHELL:	NICKEL (60 μm - 100 μm) OVER ALL
WASHER:	NICKEL (60 μm - 100 μm) OVER ALL
NUT:	NICKEL (60 μm - 100 μm) OVER ALL
ELECTRICAL	
RATED CURRENT:	5A
RATED VOLTAGE:	125V
INSULATION RESISTANCE:	100 MΩhms MIN.
CONTACT RESISTANCE:	10 MΩhms MAX.
WATER PROOF:	IP67
ENVIRONMENT	
OPERATION TEMPERATURE:	-40°C TO +85°C
WIRE GAUGE:	24-28 AWG



PANEL CUT-OUT

855-003-103R00Y

1 = GOLD FLASH  
4 = 10μ" GOLD

RoHS COMPLIANT

DO NOT SCALE FROM DRAWING



THESE DRAWINGS AND SPECIFICATIONS ARE THE PROPERTY OF NorComp AND SHALL NOT BE REPRODUCED, COPIED OR USED AS THE BASIS FOR THE MANUFACTURE OR SALE OF APPARATUS WITHOUT WRITTEN PERMISSION.

DRAWN: M. SIGMON  
CHECKED:

DATE: 03-04-16  
DATE:

NorComp

SCALE: N.T.S. SHEET 1 OF 1 REV 1

DWG NO. 855-003-103R00Y

# Mouser Electronics

Authorized Distributor

Click to View Pricing, Inventory, Delivery & Lifecycle Information:

[NorComp:](#)

[855-003-103R004](#)