

4

3

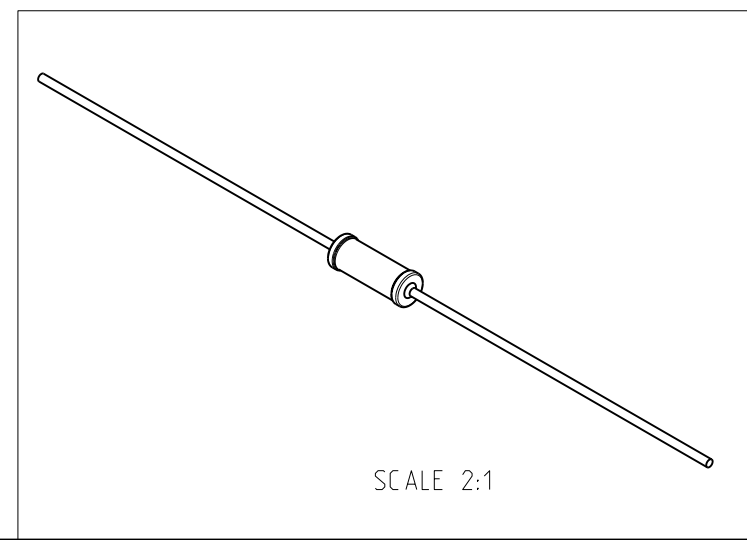
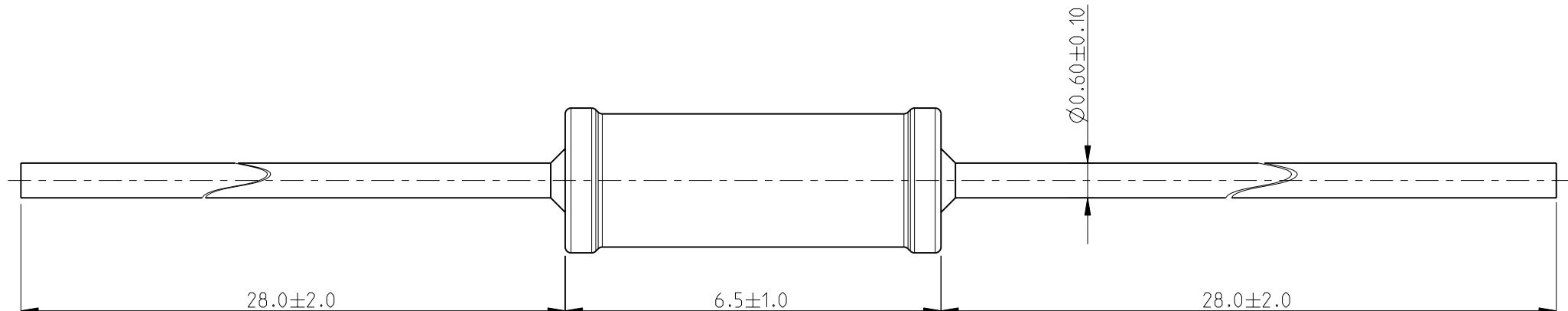
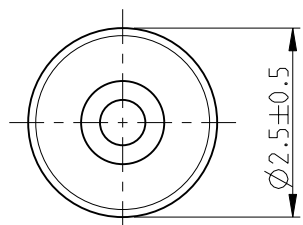
2


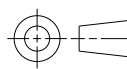
1

THIS DRAWING IS UNPUBLISHED. RELEASED FOR PUBLICATION 2008  
 © COPYRIGHT 2008 - ALL RIGHTS RESERVED.

LOC	DIST	REVISIONS			
P	LTR	DESCRIPTION	DATE	DWN	APVD
	BA1	REVISED PER ECO-11-005150	29MAR2011	RK	HMR

FOR FURTHER INFORMATION SEE DATA SHEET FOR  
 SERIES RGP- METAL GLAZE FIXED RESISTORS



THIS DRAWING IS A CONTROLLED DOCUMENT.		DWN	22-DEC-08		 TE Connectivity			
DIMENSIONS: mm		CHK	22-DEC-08					
		APVD	22-DEC-08					
TOLERANCES UNLESS OTHERWISE SPECIFIED: 0 PLC ± 0.2 1 PLC ± 0.1 2 PLC ± - 3 PLC ± - 4 PLC ± - ANGLES ± 5°		PRODUCT SPEC	-					
MATERIAL	-	FINISH	-		NAME	METAL GLAZE FIXED RESISTORS STYLE RGP0207CH		
-		WEIGHT	-		SIZE	A3		
-		CUSTOMER DRAWING		SCALE	10:1	CAGE CODE	00779	
-		-		DRAWING NO	1623708		RESTRICTED TO	-
-		-		SHEET		1 OF 1	REV	BA1

# Mouser Electronics

Authorized Distributor

Click to View Pricing, Inventory, Delivery & Lifecycle Information:

[TE Connectivity:](#)

[RGP0207CHJ33M](#)